

DETAILS

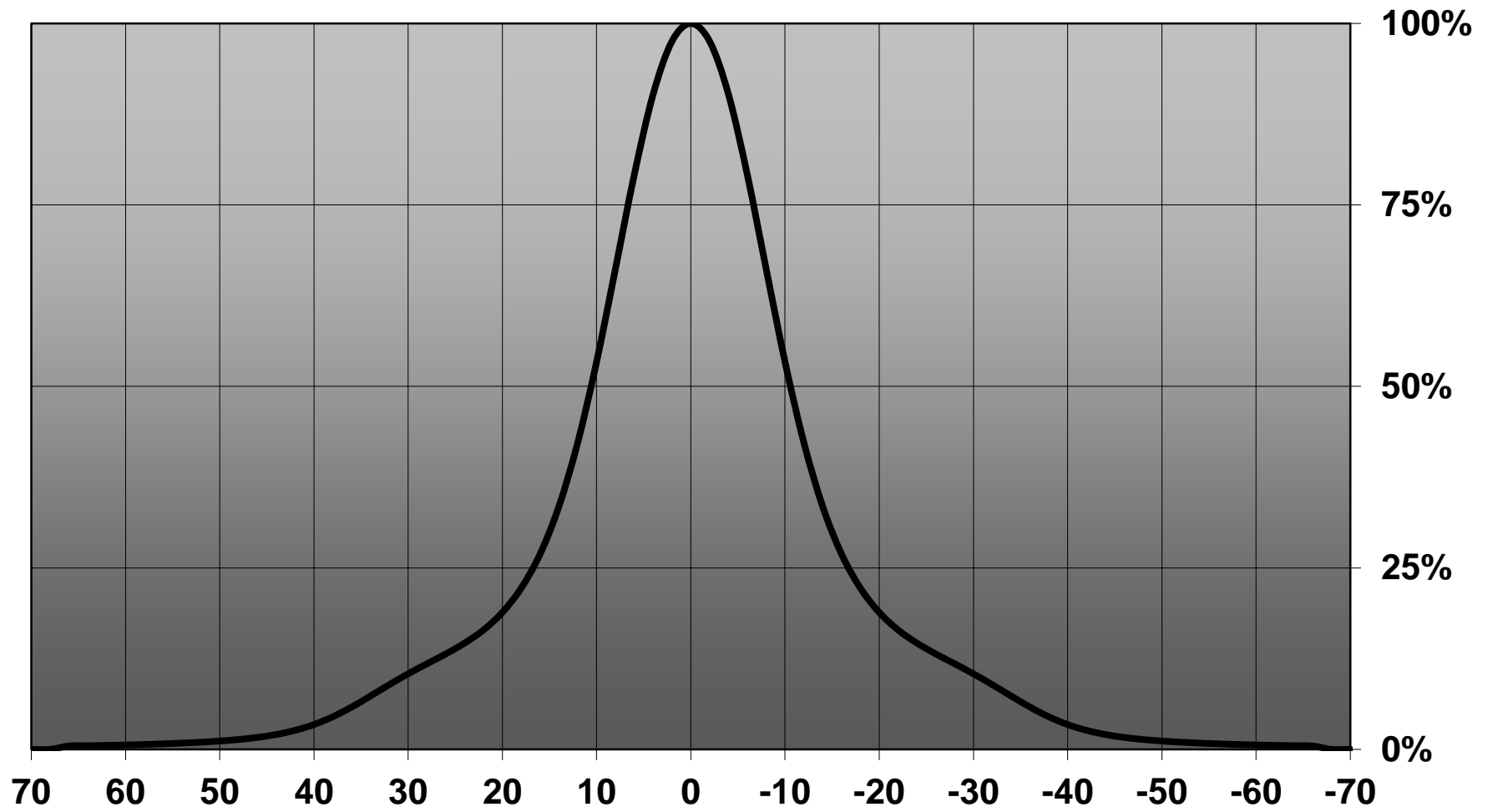
Product Number	CN12703_LENINA-S-DL
Family	Lenina
Type	RefPack
Color	metal
Diameter	74 mm
Height	47,5 mm
Style	round
Optic Material	PC
Holder Material	
Fastening	screw
Status	production ready
ROHS Compliant	Yes
Date Updated	31/10/2016

OPTICAL PROPERTIES

LED	Viewing	Light	Efficiency	cd/lm	Connector
	Angle	Beam			
CLL03x/CLU03x	17 deg	Spot	87 %	4.500	-
CLU720/721	13 deg	Spot	84 %	5.800	-
CLU710/711	12 deg	Spot	89 %	7.400	-
CXM-14	17 deg	Spot	88 %	4.900	LEDiL: LEDiL
COB D Series LES 14.5 mm	18 deg	Spot	87 %	4.100	-
ZC12/18	16 deg	Spot	85 %	4.530	-
STARK SLE PURE G3 LES17	18 deg	Spot	86 %	4.020	-
SLE G5 LES15	16 deg	Spot	89 %	5.000	LEDiL: LEDiL



Relative intensity of CN12703_LENINA-S-DL



D

C

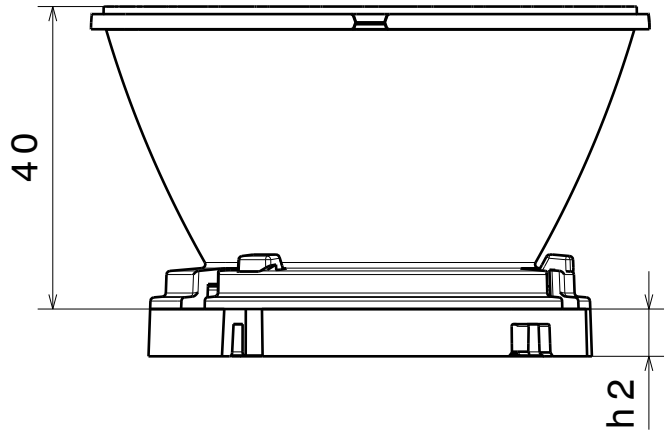
B

A

4

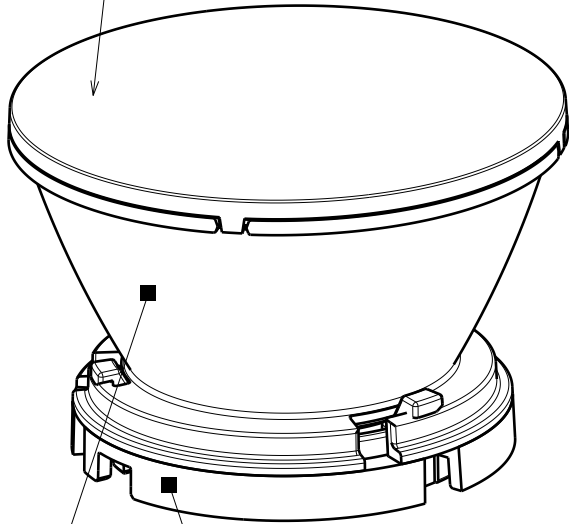
4

Material of optional sublens: PC, clear



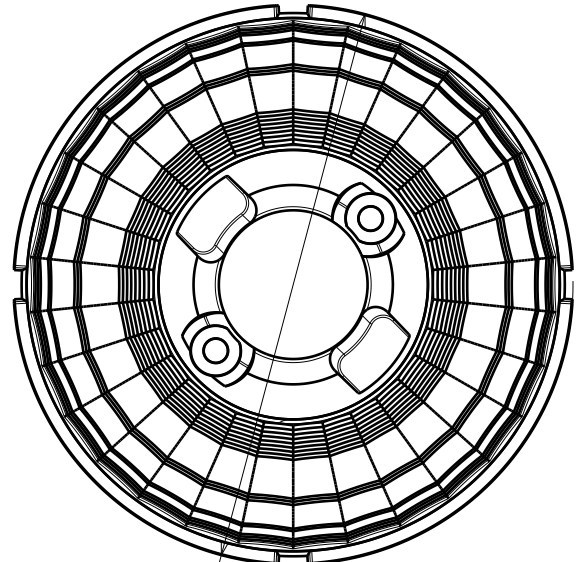
3

3



Base material PC, white

Reflector material PC



2

2

NOTE:

Using optional sublens, add 2.1mm to the system height

Dimension 'h2' varies from 4.5mm to 7mm depending on the LED specific base part

This drawing is our property. It can't be reproduced or communicated without our written agreement.



Ledil Oy
Salorankatu 10
FIN-24240 SALO
Finland

DRAWING TITLE

Datasheet Lenina series

1

1

DRAWN BY

ks

DATE

23.04.2014

CHECKED BY

DATE

SIZE

A4

DRAWING NUMBER

--

REV

1

DESIGNED BY

pl

DATE

08.03.2012

SCALE

1:1

WEIGHT (g)

SHEET

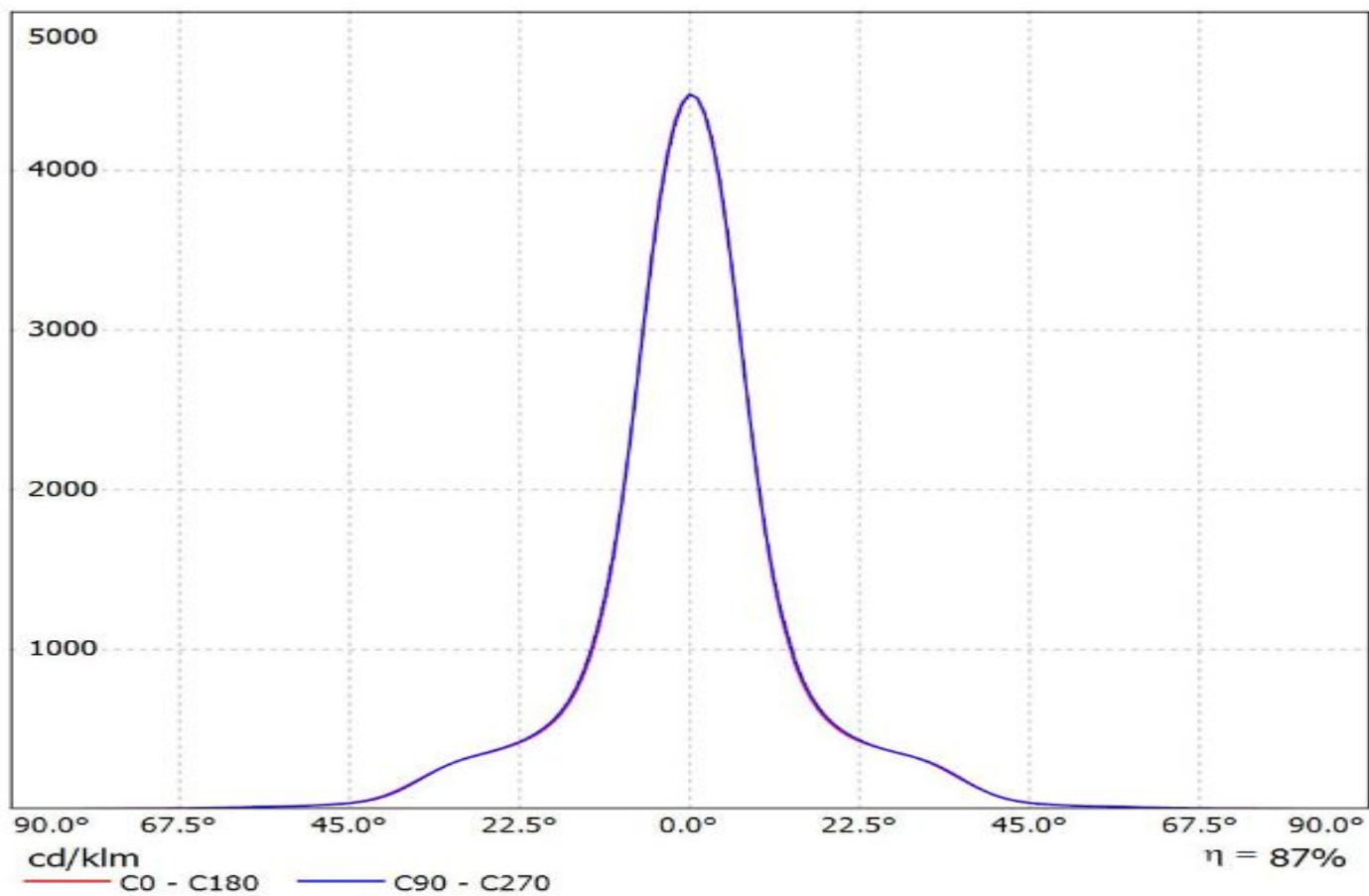
1/1

D

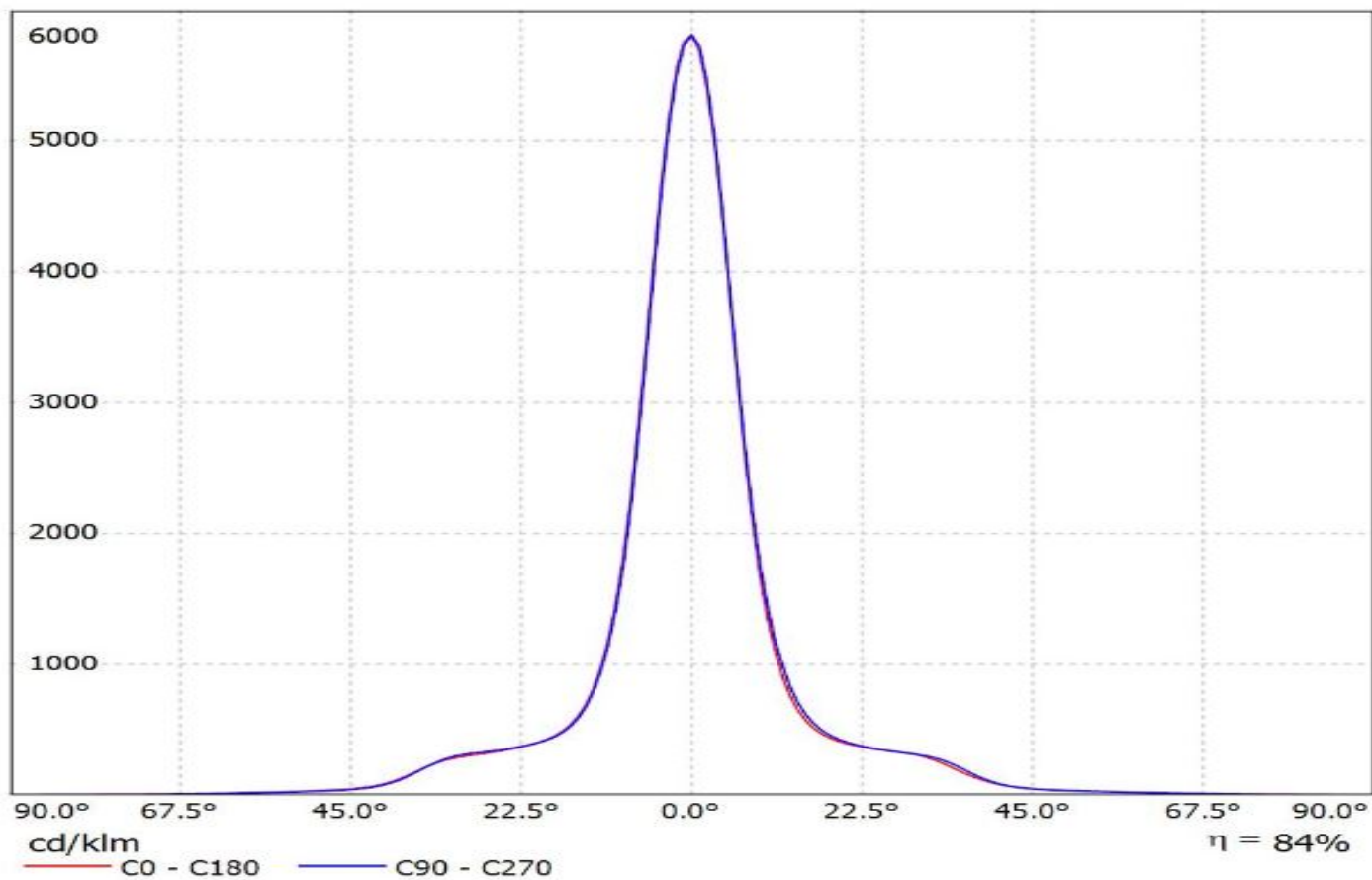
A

Luminaire: Ledil CN12703_LENINA-S-DL_(CLU036)

Lamps: 1 x CLU036_(-1208C1-303M2G2)_1273.68lm@250mA_P=8.24W_I=0.25A

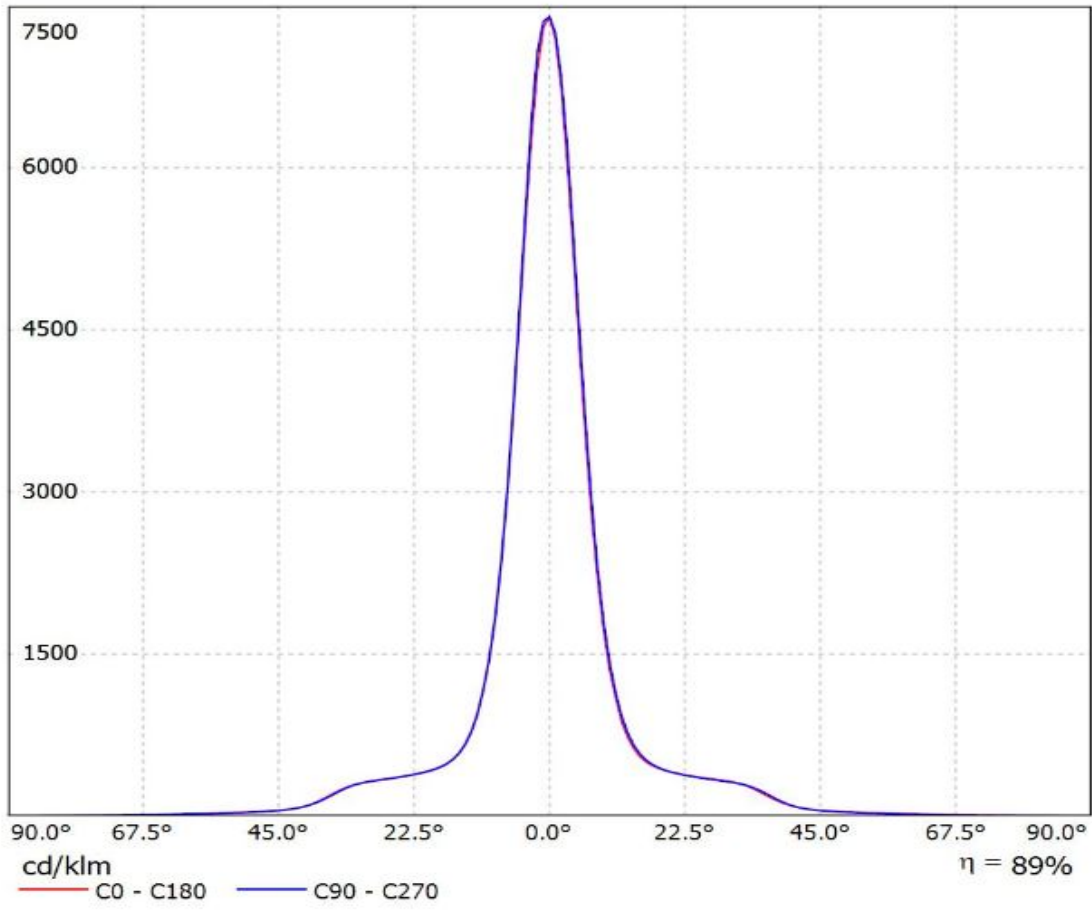


Luminaire: Ledil CN12703_LENINA-S-DL_(CLU720)
Lamps: 1 x CITIZEN_CLU720_(CLU720-1206B8-273M2)
_1312.67lm@250mA_CCT=2700K_P=8.35W_I=0.25A



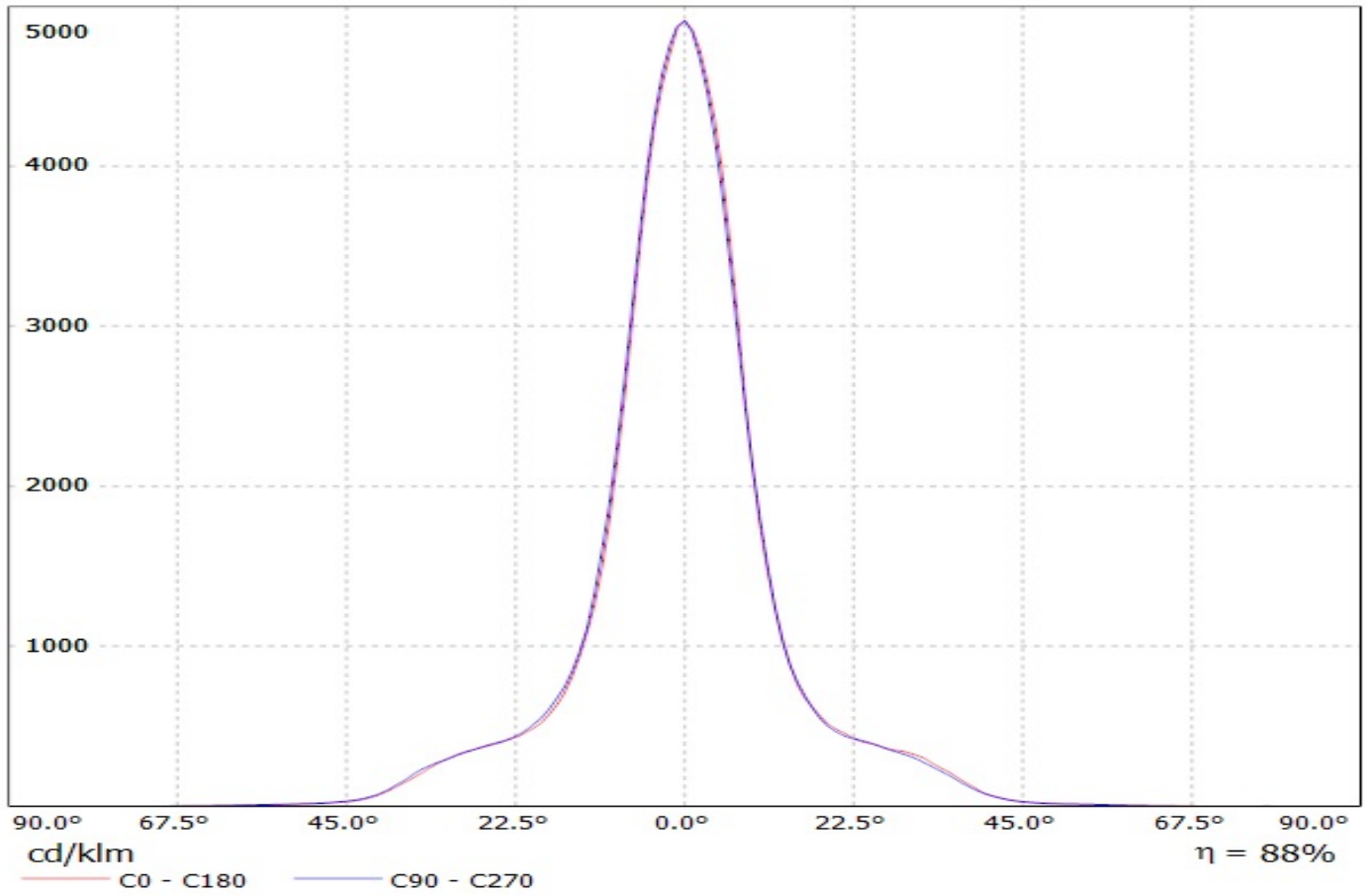
Luminaire: Ledil CN12703_LENINA-S-DL_(CLU710)

Lamps: 1 x CITIZEN_CLU710_(CLU710-1204B8-273M2G1)+C12691_LENINA-STD-BASE-CLL030_1154.75lm@250mA_P=8.5W_I=0.25A



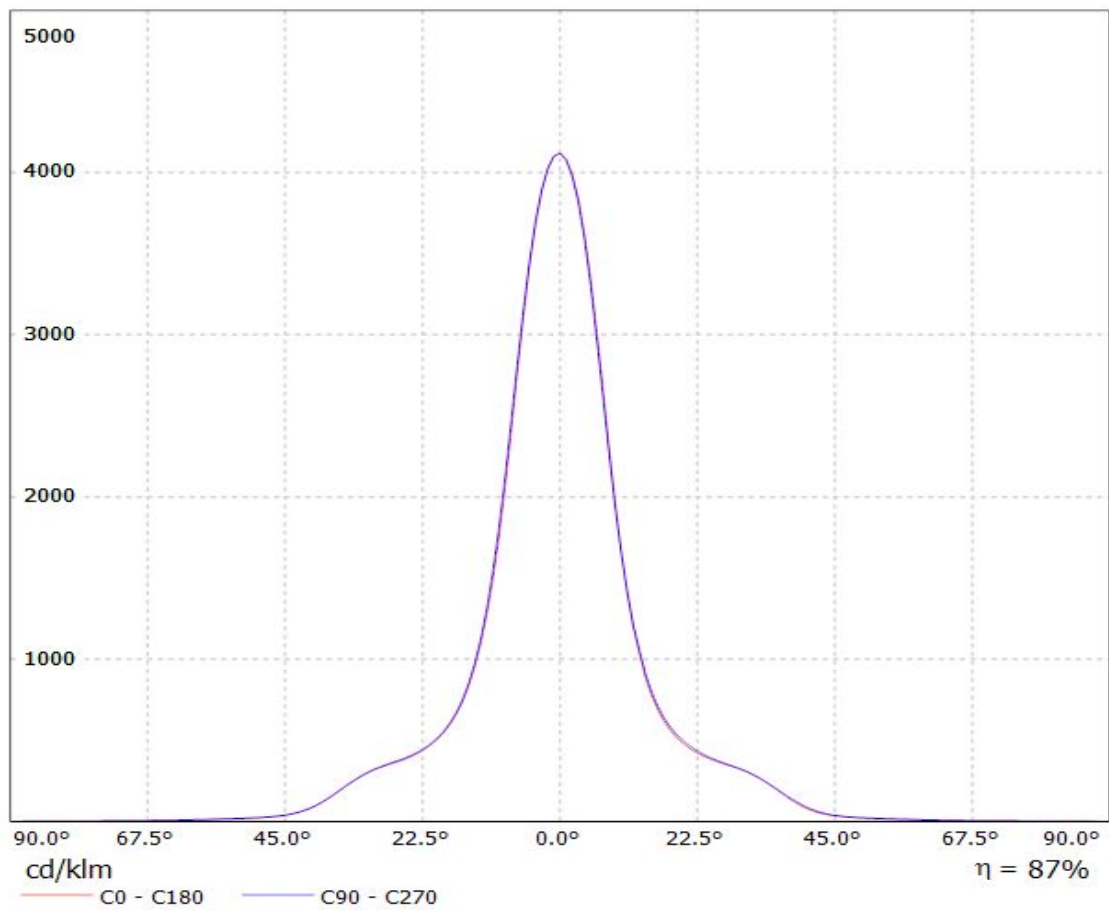
Luminaire: LEDil Oy CN12703_LENINA-S-DL_(CXM-14)

Lamps: 1 x Luminus CXM-14 (1006.41lm @ 250mA) CCT=3100K P=8.5W I=250mA

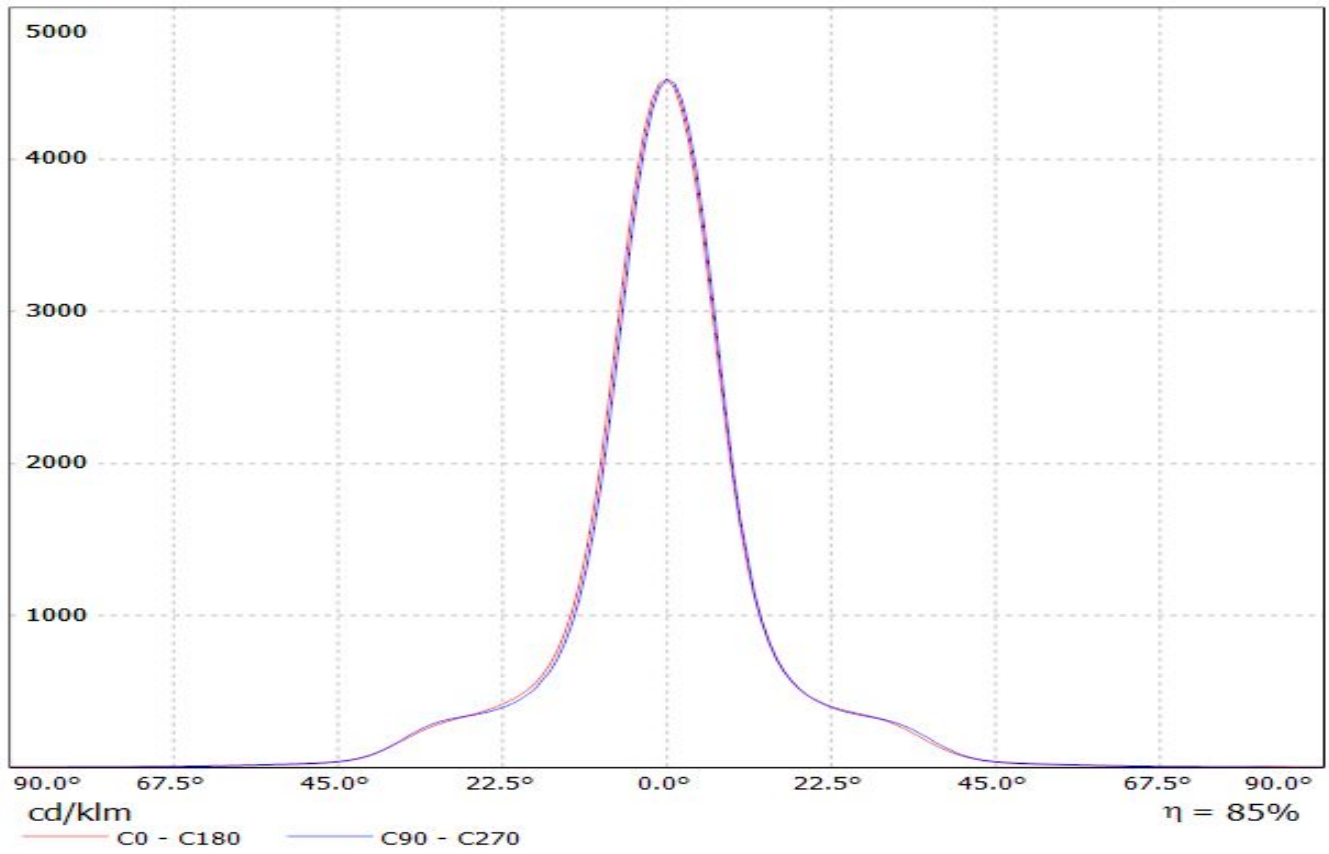


Luminaire: Ledil CN12703_LENINA-S-DL_(COB-D_LES_14.5mm)

Lamps: 1 x Samsung_COB-D_Series_LES_14.5mm_(LC026D)_+C12691_1263.5lm@250mA_CCT=3000K_P=8.1565W_I=0.25A

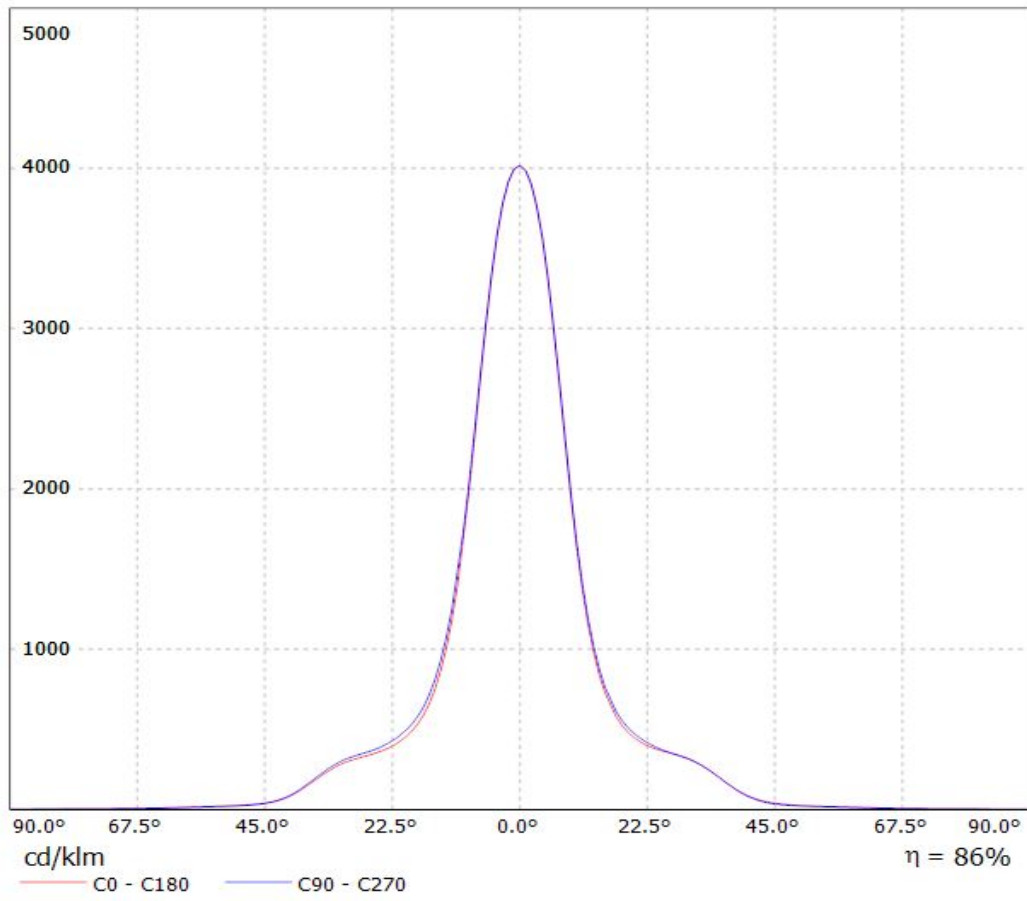


Luminaire: LEDiL Oy CN12703_LENINA-S-DL_(ZC12) Eff.85.4%
Lamps: 1 x SEOUL_ZC12_(SDW82F1C)_1209.83lm@250mA_CCT=3000K_P=8.64658W_I=249.8mA

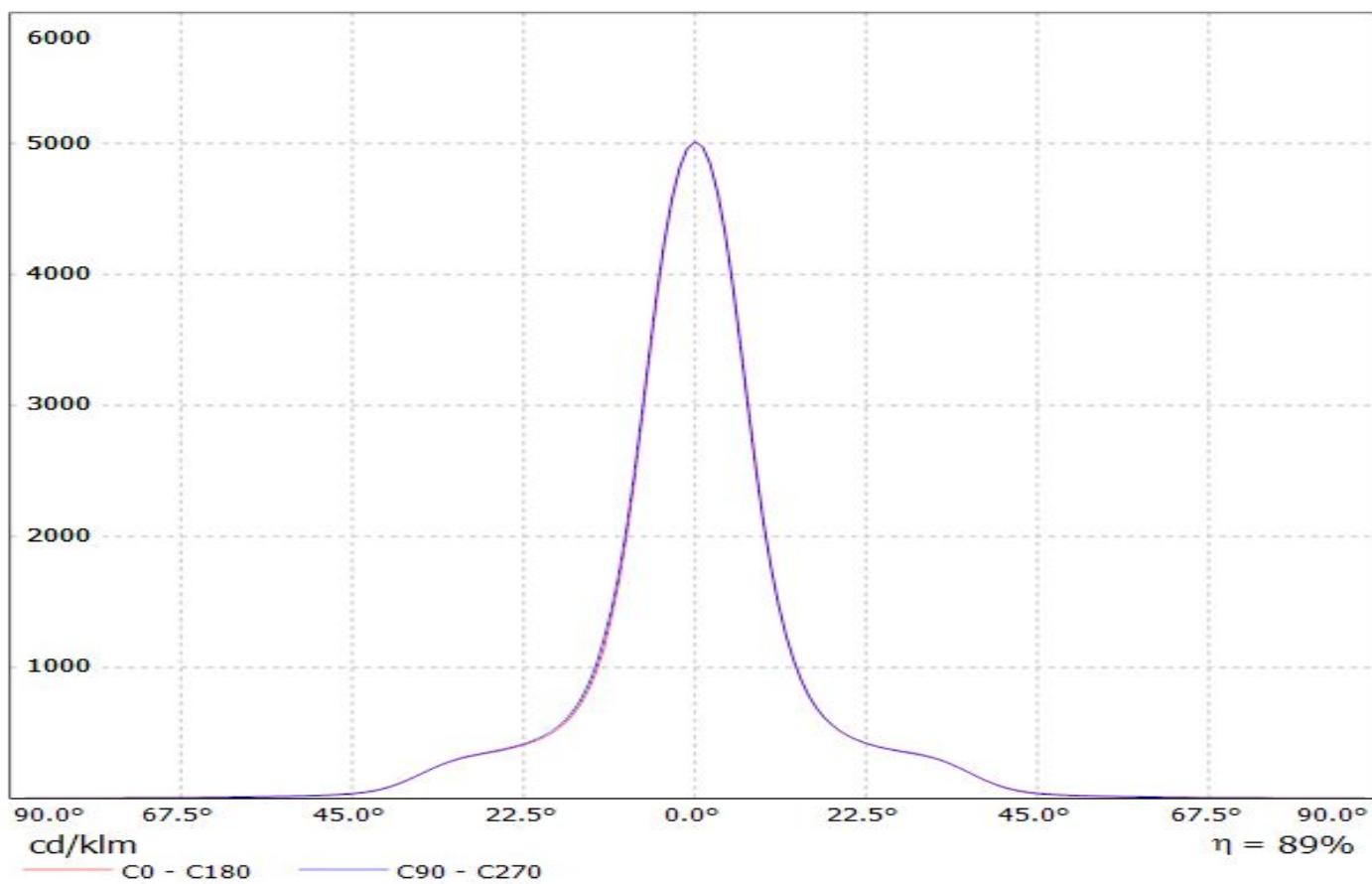


Luminaire: LEDiL Oy CN12703_LENINA-S-DL_(SLE_G3_LES17) Eff.85.8%

Lamps: 1 x TRIDONIC_STARK_SLE_G3_LES17_(STARK-SLE-PURE_G3-17-2000-840-CLA)_1011.62lm@250mA_P=8.29243W_I=249.9mA

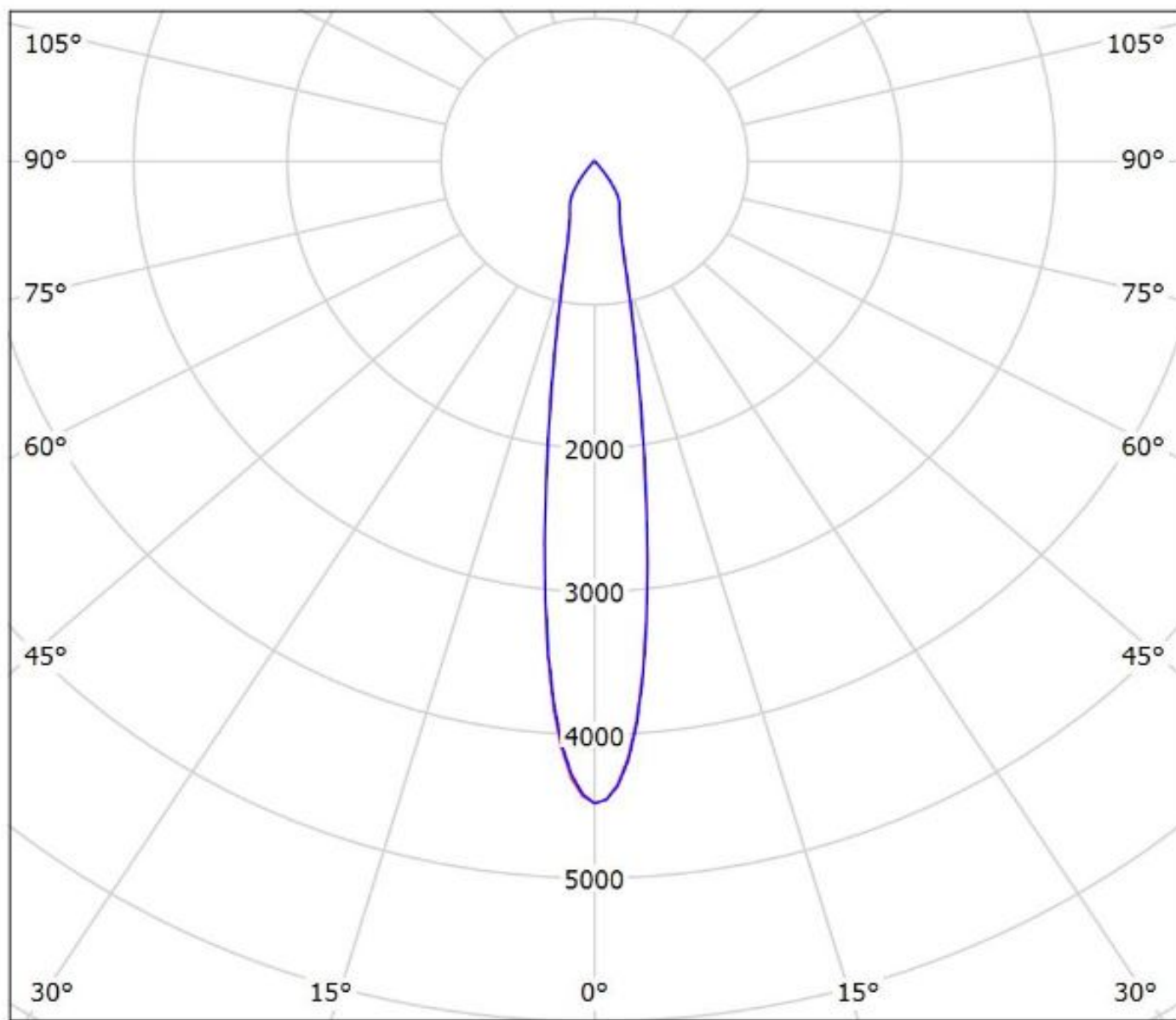


Luminaire: LEDiL Oy CN12703_LENINA-S-DL_(SLE-G5_LES-15)
Lamps: 1 x Tridonic_SLE-G5_LES-15_1237.18lm@250mA_P=8.6903W_I=0.250A



Luminaire: Ledil CN12703_LENINA-S-DL_(CLU036)

Lamps: 1 x CLU036_(-1208C1-303M2G2)_1273.68lm@250mA_P=8.24W_I=0.25A

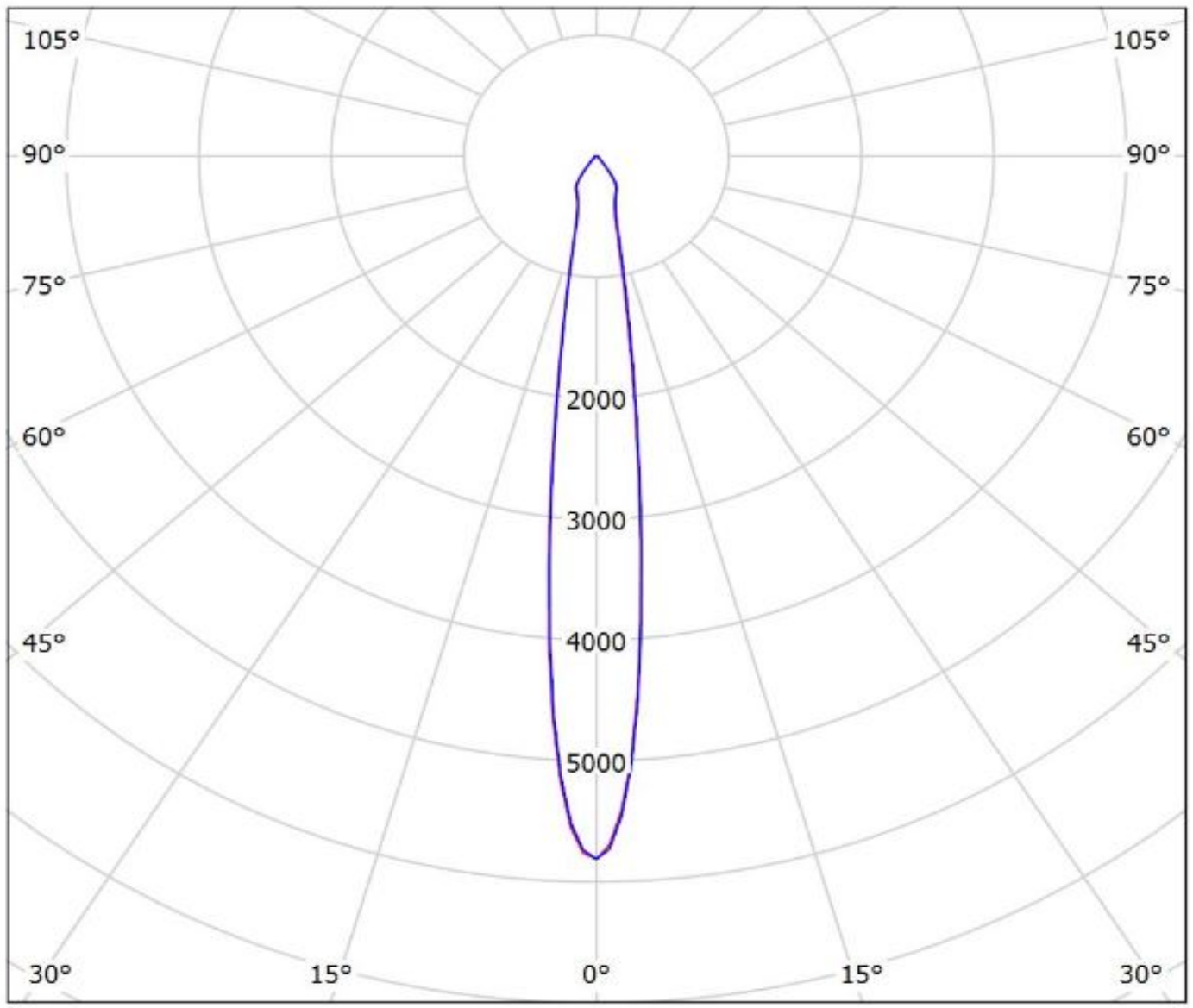


cd/klm

— C0 - C180 — C90 - C270

$\eta = 87\%$

Luminaire: Ledil CN12703_LENINA-S-DL_(CLU720)
Lamps: 1 x CITIZEN_CLU720_(CLU720-1206B8-273M2)
_1312.67lm@250mA_CCT=2700K_P=8.35W_I=0.25A

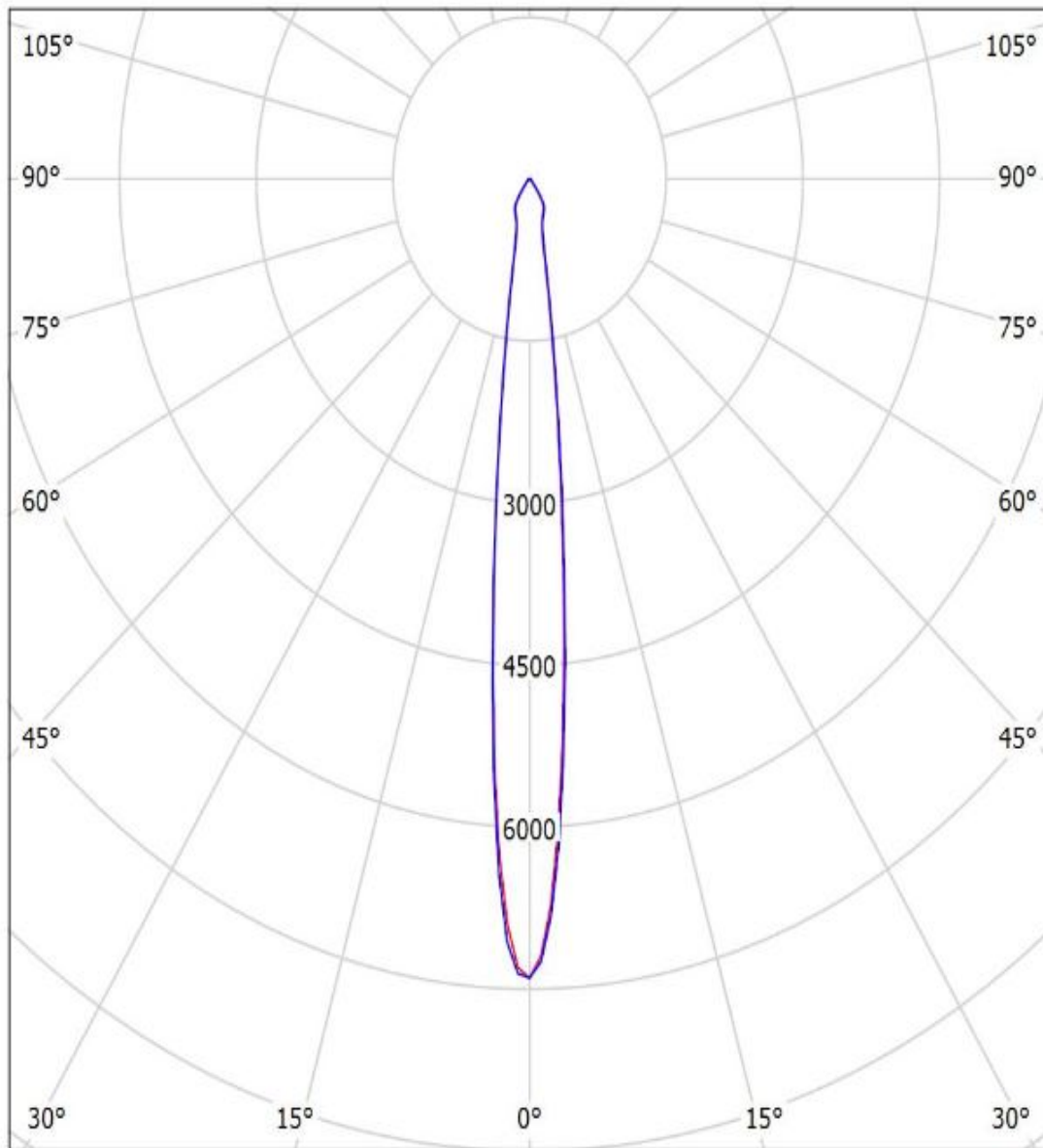


cd/klm
— C0 - C180 — C90 - C270

$\eta = 84\%$

Luminaire: Ledil CN12703_LENINA-S-DL_(CLU710)

Lamps: 1 x CITIZEN_CLU710_(CLU710-1204B8-273M2G1)+C12691_LENINA-STD-BASE-CLL030_1154.75lm@250mA_P=8.5W_I=0.25A



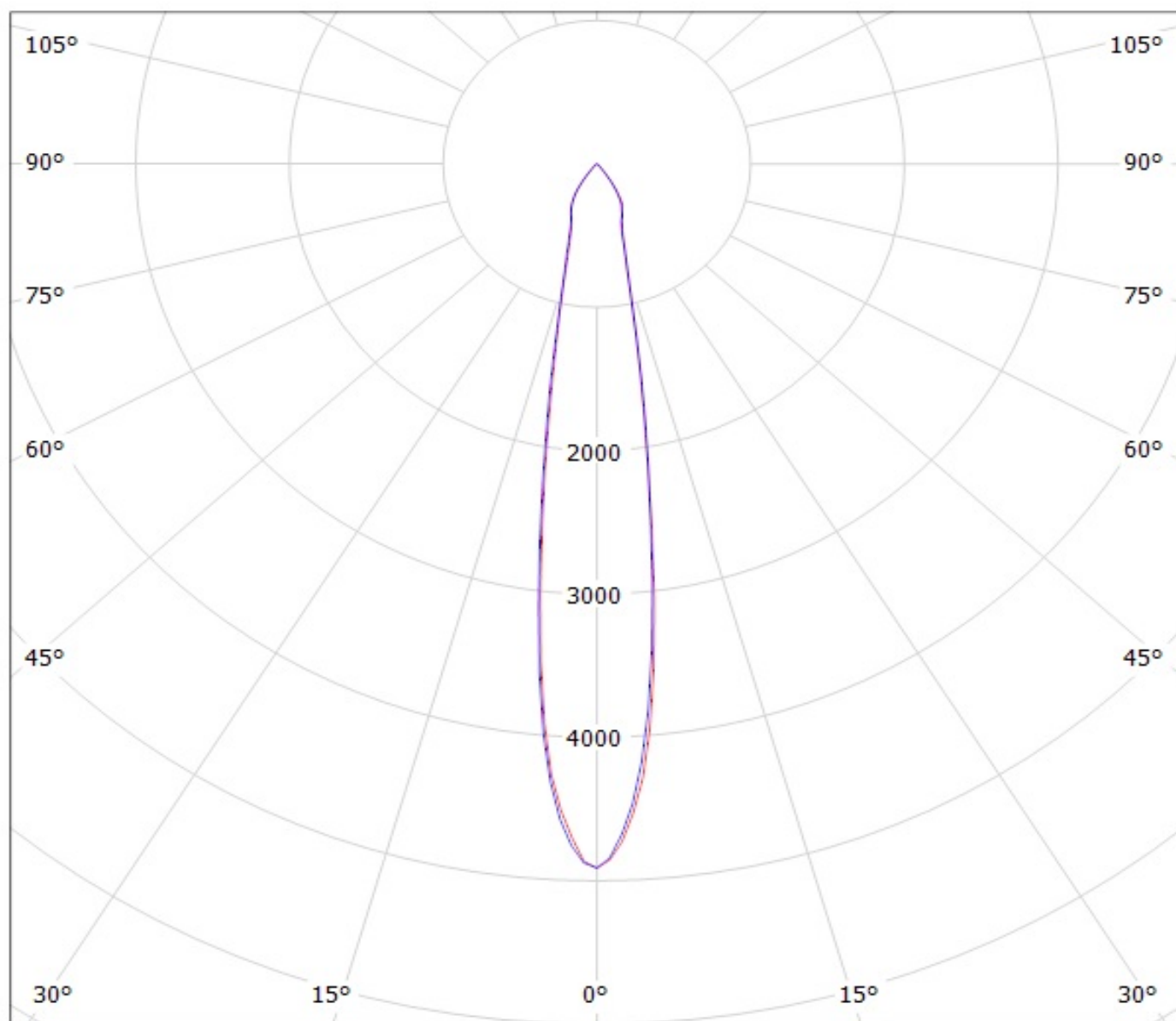
cd/klm

— C0 - C180 — C90 - C270

$\eta = 89\%$

Luminaire: LEDil Oy CN12703_LENINA-S-DL_(CXM-14)

Lamps: 1 x Luminus CXM-14 (1006.41lm @ 250mA) CCT=3100K P=8.5W I=250mA



cd/klm

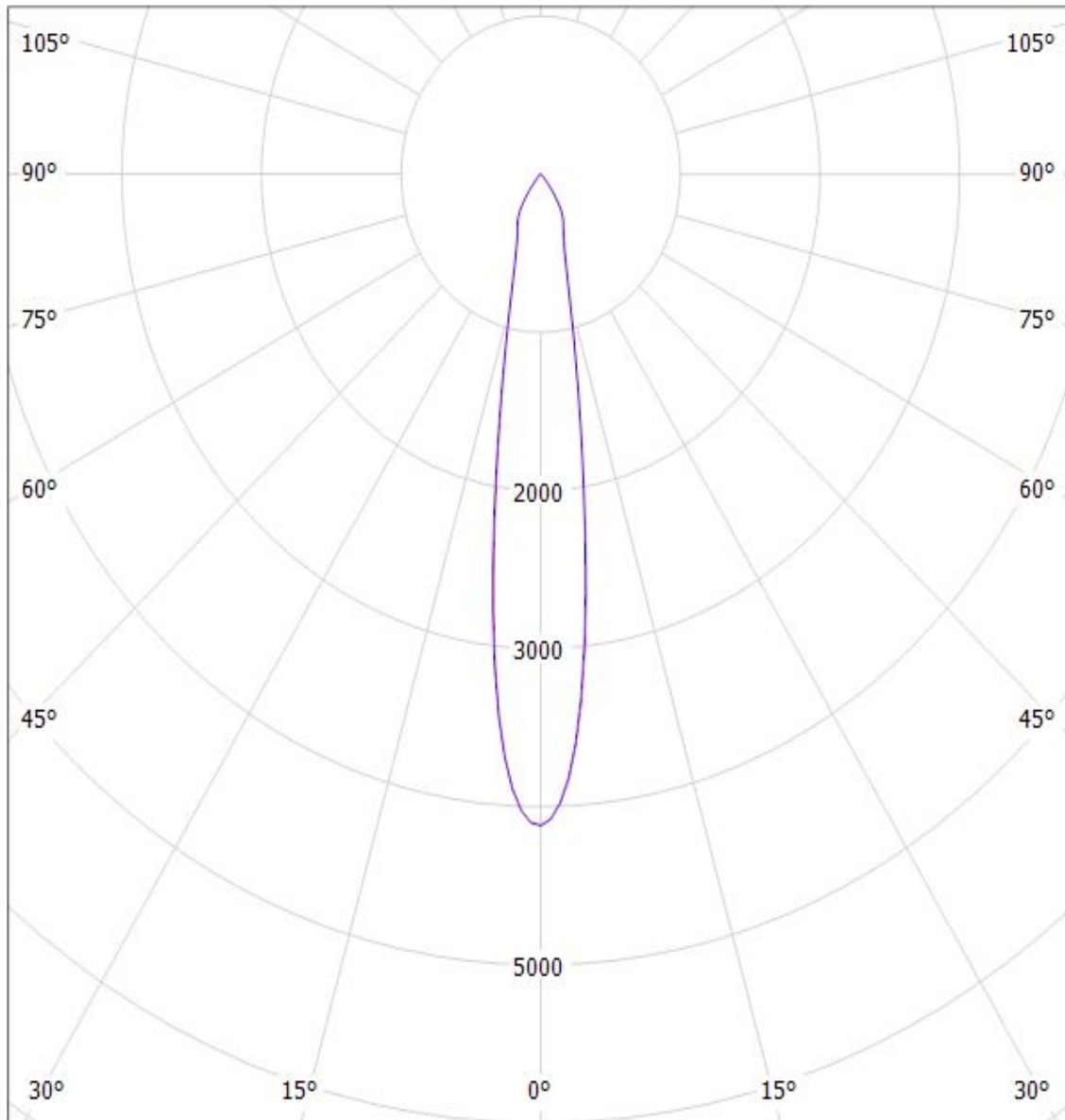
η = 88%

— C0 - C180

— C90 - C270

Luminaire: Ledil CN12703_LENINA-S-DL_(COB-D_LES_14.5mm)

Lamps: 1 x Samsung_COB-D_Series_LES_14.5mm_(LC026D)_+C12691_1263.51lm@250mA_CCT=3000K_P=8.1565W_I=0.25A



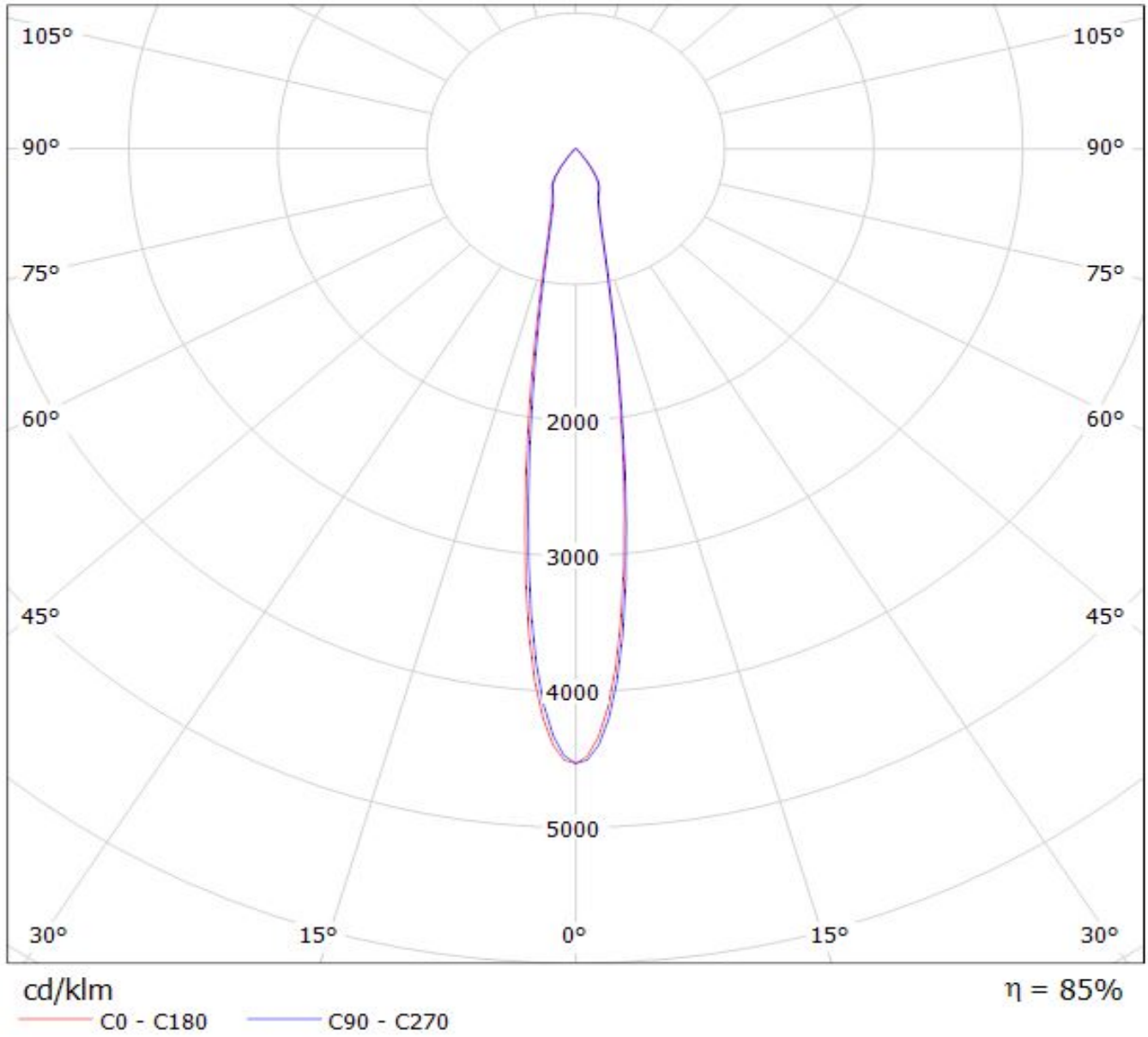
cd/klm

— C0 - C180 — C90 - C270

$\eta = 87\%$

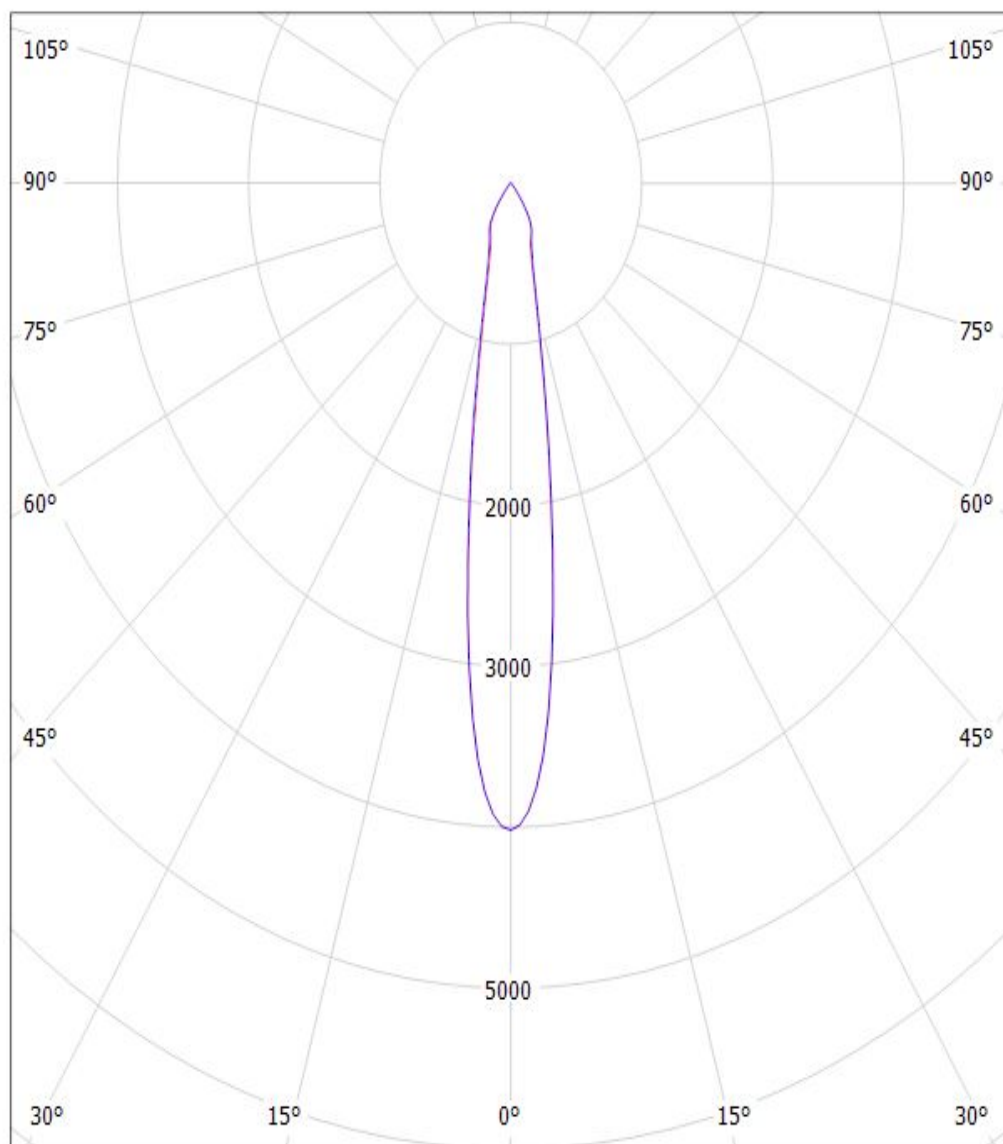
Luminaire: LEDiL Oy CN12703_LENINA-S-DL_(ZC12) Eff.85.4%

Lamps: 1 x SEOUL_ZC12_(SDW82F1C)_1209.83lm@250mA_CCT=3000K_P=8.64658W_I=249.8mA



Luminaire: LEDiL Oy CN12703_LENINA-S-DL_(SLE_G3_LES17) Eff.85.8%

Lamps: 1 x TRIDONIC_STARK_SLE_G3_LES17_(STARK-SLE-PURE_G3-17-2000-840-CLA)_1011.62lm@250mA_P=8.29243W_I=249.9mA



cd/klm

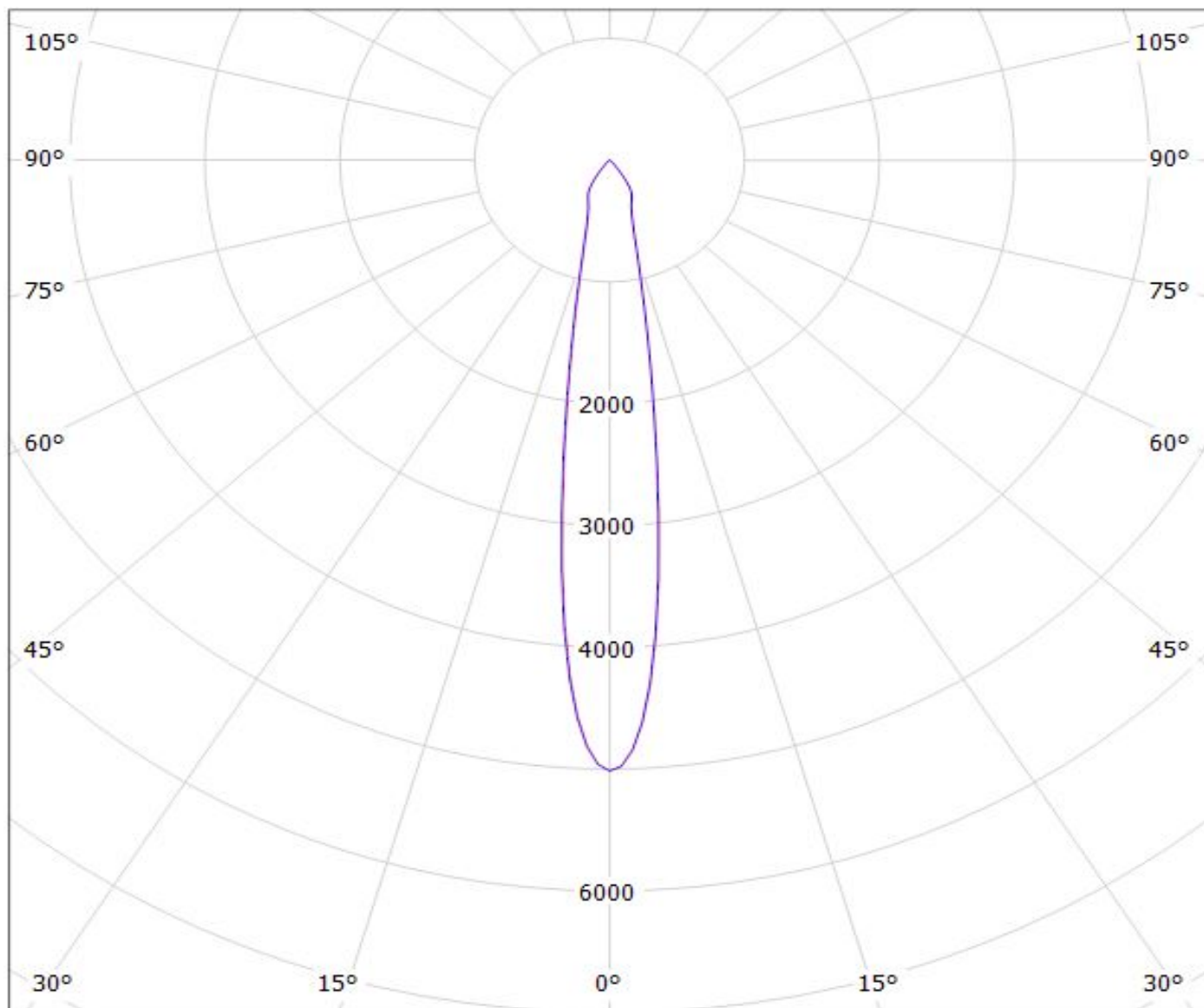
— C0 - C180

— C90 - C270

η = 86%

Luminaire: LEDiL Oy CN12703_LENINA-S-DL_(SLE-G5_LES-15)

Lamps: 1 x Tridonic_SLE-G5_LES-15_1237.18lm@250mA_P=8.6903W_I=0.250A



cd/klm

— C0 - C180

— C90 - C270

η = 89%

NOTE: The typical divergence will be changed by different color, chip size and chip position tolerance. The typical total divergence is the full angle measured where the luminous intensity is half of the peak value.

GENERAL INFORMATION

- Product series especially designed & optimized for series of LEDs.
- Special care taken to make light distribution as uniform as possible.

Note! Due to use of high power COB's with this product, special attention to proper thermal design is highly recommended. LEDiL has no liability for direct, indirect or consecutive damages arising from the LEDiL products being used outside of the recommended temperature range.