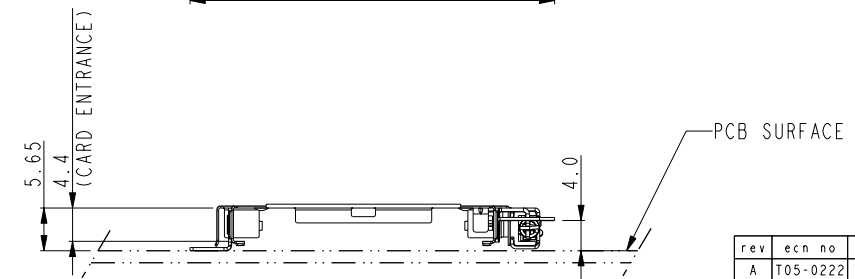
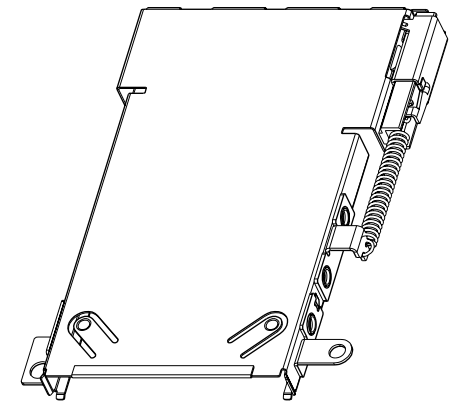
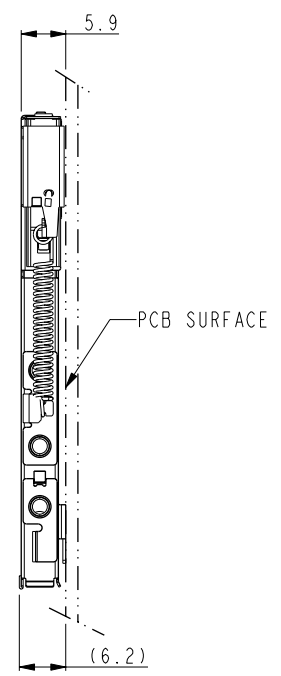
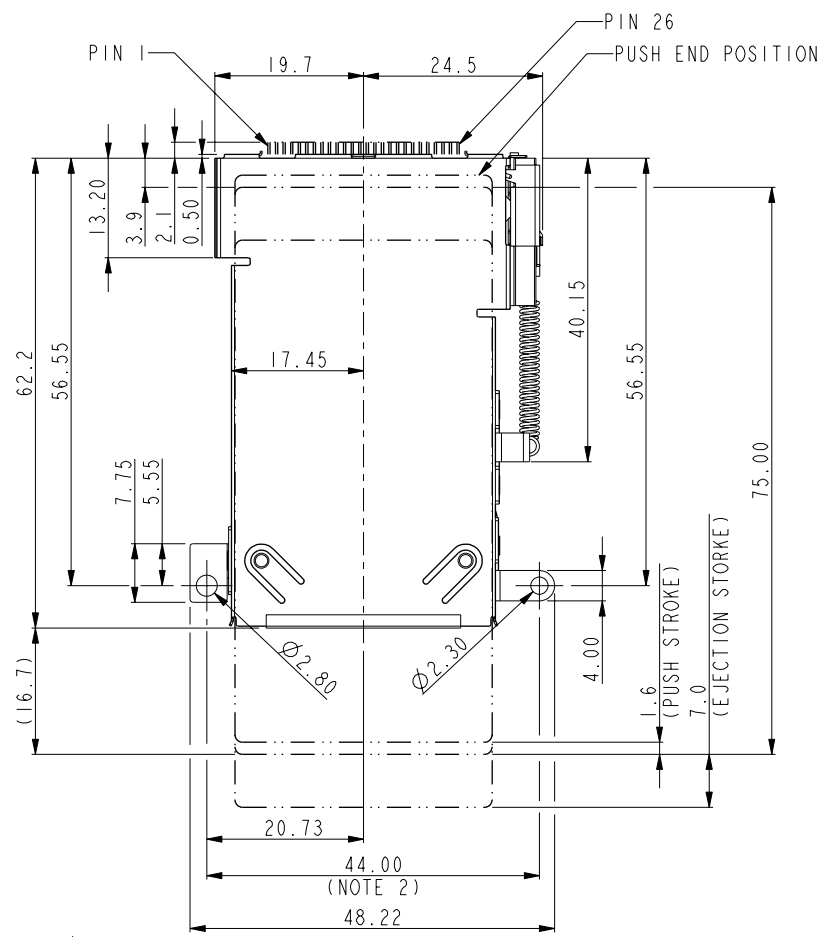




Copyright FCI.

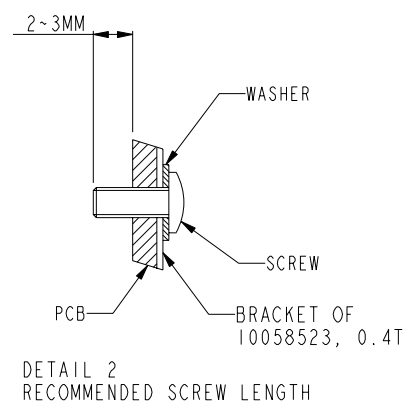
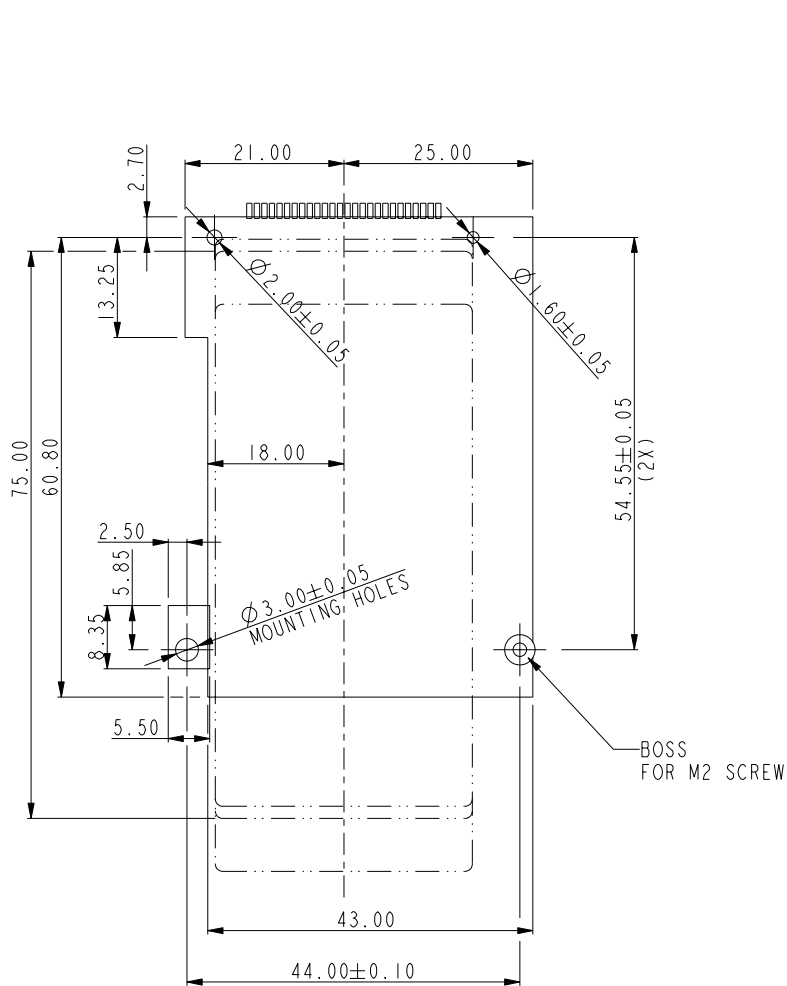


rev	ecn no	dr	date
A	T05-0222	TAI	09/26/05
B	T05-0244	TAI	10/28/05
C	N09-0013	R.B	2009/01/20
-	-	-	-
-	-	-	-
-	-	-	-

www.fciconnect.com			surface	<input checked="" type="checkbox"/>	tolerance std	ASME Y14.5	projection		MM	
			TOLERANCES UNLESS OTHERWISE SPECIFIED							
Dr	KENNY TAI	07/22/05	ANGULAR	LINEAR	0.X	±0.30	size	A4	Scale	
Eng	KENNY TAI	07/22/05			0.XX	±0.15			1.000	
Chr	KENNY TAI	07/22/05	0°	±2°	0.XXX	±	ECN	N09-0013		
Appr	PAUL WANG	07/22/05	Product family			Spec ref		*		
			title				TOP MOUNT, CARD PUSH		Rev.	
			EXPRESSCARD HOST MECH.				10058523		C	
			catalog no		10058523		CUSTOMER		sheet 1 of 2	

REV F - 2006-04-11

PART NO.	MOUNTING	STAND-OFF	HOST CONN P/N	PRODUCT SPEC.	PACKING SPEC.	CONN. UNMATING FORCE
10058523-00ALF	ABOVE	0MM	10058937-X00AXXLF	GS-12-301	GS-14-295	18.5N MAX.



□ NO MOUNTING PART AREA

- NOTE:
1. 2 M2\*0.4P SCREWS WITH WASHER ARE REQUIRED.
  2. SHOW DIMENSION AFTER FASTENED TO PCB.
  3. SEE HOST CONNECTOR DRAWINGS FOR PCB LAYOUT DETAIL.
  4. RECOMMENDED TIGHTING TORQUE 1.6~1.8 KGF-CM.
  5. SEE DETAIL 2 FOR RECOMMENDED SCREW LENGTH.

www.fciconnect.com		surface	tolerance std	projection	MM
		✓	ASME Y14.5		
		TOLERANCES UNLESS OTHERWISE SPECIFIED			
Dr	KENNY TAI	07/22/05	ANGULAR	0.X	±0.30
Eng	KENNY TAI	07/22/05	LINEAR	0.XX	±0.15
Chr	KENNY TAI	07/22/05	0° ±2°	0.XXX	±
Appr	PAUL WANG	07/22/05	Product family	size	A4
				Scale	1.000
				ECN	N09-0013
				Spec ref	*
		title		dwg no	Rev.
		TOP MOUNT, CARD PUSH		10058523	C
		EXPRESSCARD HOST MECH.			
		catalog no	10058523	CUSTOMER	sheet 2 of 2



Copyright FCI.