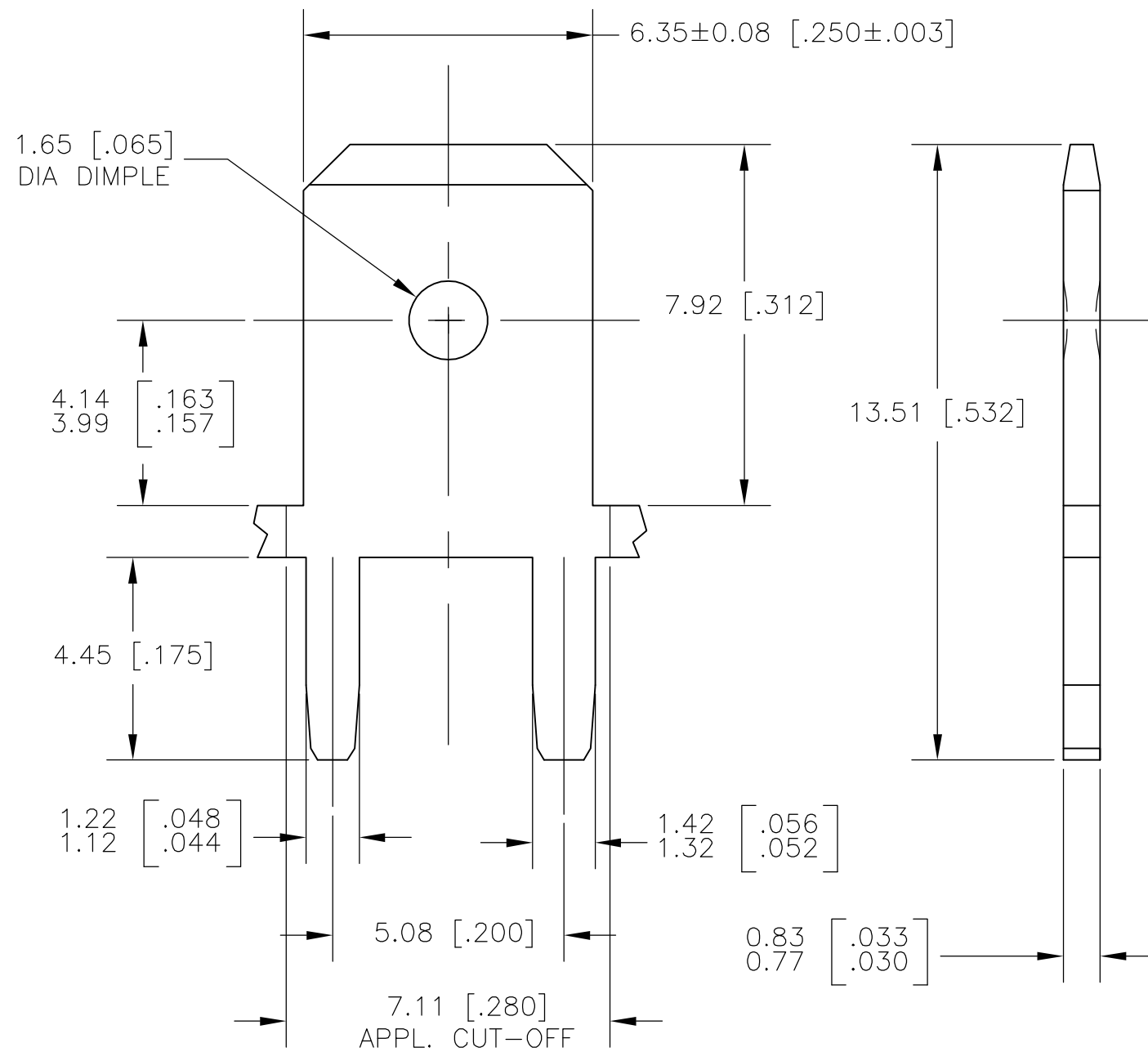
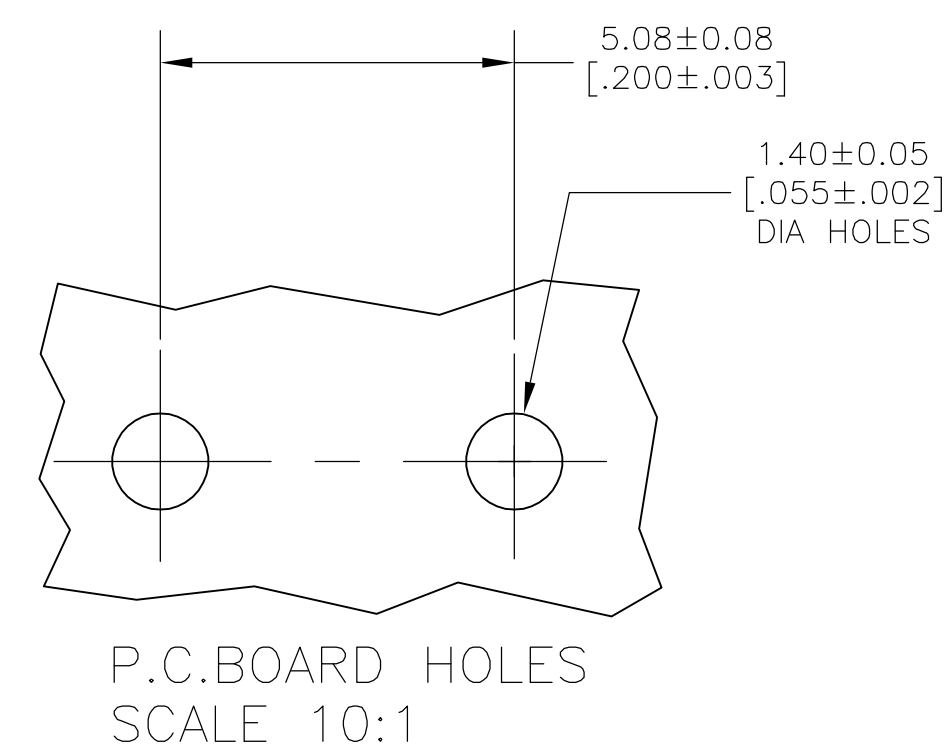


THIS DRAWING IS UNPUBLISHED. RELEASED FOR PUBLICATION  
 © COPYRIGHT BY TYCO ELECTRONICS CORPORATION. ALL RIGHTS RESERVED.

LOC	DIST	REVISIONS			
P	LTR	DESCRIPTION	DATE	DWN	APVD
AF	50	F	REV PER ECR-05-017407	14APR06	HMR KR



1 CONTINUOUS STRIP ON REELS.  
 2 0.00381 [.000150] MIN TIN OVER  
 0.00254 [.000100] MIN THK COPPER.



63650-1  
 PART NUMBER

THIS DRAWING IS A CONTROLLED DOCUMENT.		DWN	JR RUTH	15MAR01	<b>tyco</b> <b>Electronics</b>	Tyco Electronics Corporation Harrisburg, PA 17105-3608			
DIMENSIONS: mm [INCHES]		CHK	MS FEHER	20MAR01		NAME			
TOLERANCES UNLESS OTHERWISE SPECIFIED:		APVD	N DEIBERT	20MAR01	TAB, FASTON, PC BOARD, 6.35 [.250] SERIES				
0 PLC ± - 1 PLC ± - 2 PLC ± 0.38 [.015] 3 PLC ± - 4 PLC ± - ANGLES ± -		PRODUCT SPEC	-			SIZE	CAGE CODE	DRAWING NO	RESTRICTED TO
MATERIAL	082 BRASS	FINISH	TIN OVER COPPER		APPLICATION SPEC	114-2115			WEIGHT
					A3		00779	C=63650	-
CUSTOMER DRAWING					SCALE	8:1	SHEET	1 OF 1	REV
					F				