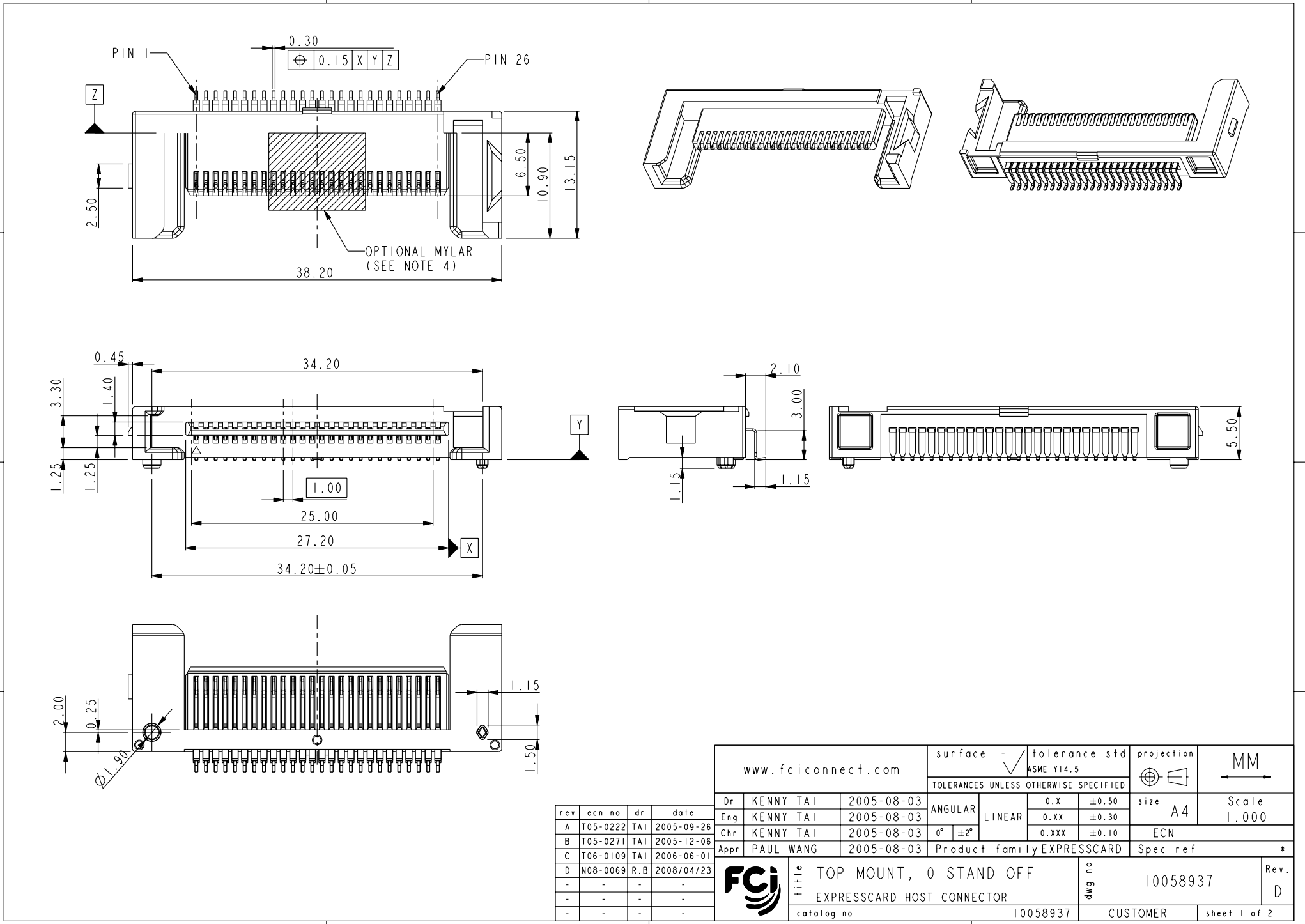




Copyright FCI.



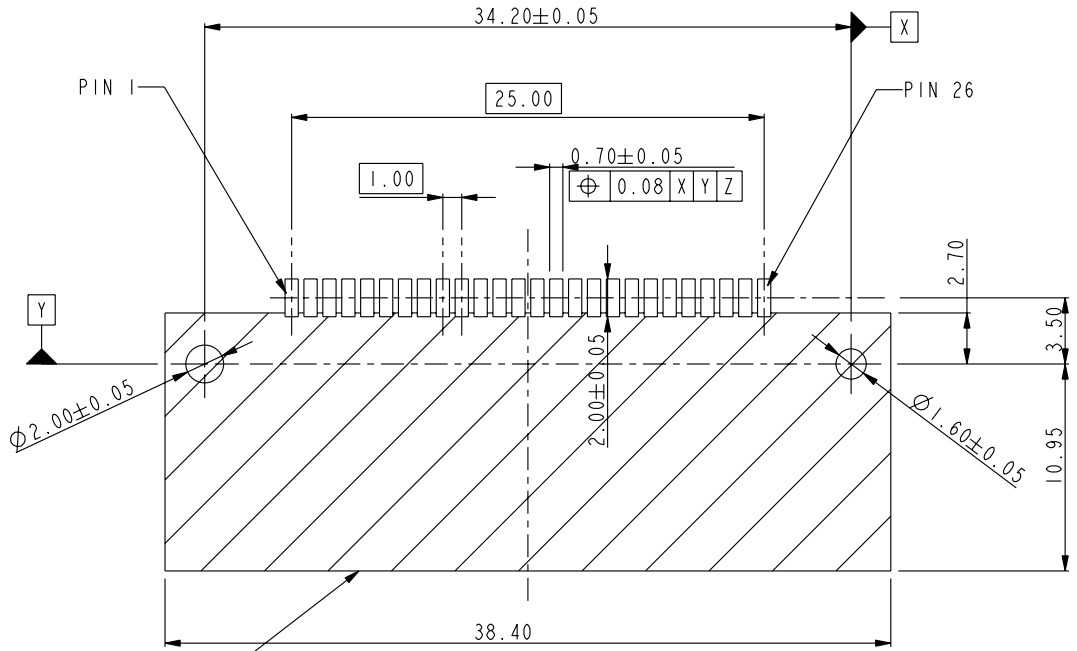
rev	ecn no	dr	date
A	T05-0222	TAI	2005-09-26
B	T05-0271	TAI	2005-12-06
C	T06-0109	TAI	2006-06-01
D	N08-0069	R.B	2008/04/23
-	-	-	-
-	-	-	-
-	-	-	-

www.fciconnect.com		surface - ✓	tolerance std	projection	MM
		ASME Y14.5		← →	
TOLERANCES UNLESS OTHERWISE SPECIFIED					
Dr	KENNY TAI	2005-08-03	ANGULAR	0.X ±0.50	size A4
Eng	KENNY TAI	2005-08-03	LINEAR	0.XX ±0.30	Scale 1.000
Chr	KENNY TAI	2005-08-03	0° ±2°	0.XXX ±0.10	ECN
Appr	PAUL WANG	2005-08-03	Product family EXPRESSCARD		Spec ref *
FCI			title TOP MOUNT, 0 STAND OFF		dwg no 10058937
			EXPRESSCARD HOST CONNECTOR		Rev. D
			catalog no 10058937	CUSTOMER	sheet 1 of 2

REV F - 2006-04-17



Copyright FCI.



NOTES :

1. MATERIAL:
HOUSING: HIGH TEMPERATURE THERMOPLASTIC,
UL 94 V-0 FLAME RETARDANT.
TERMINAL: COPPER ALLOY.
PLATING SPEC. AS BELOW :
Ni 50u" UNDER PLATED.
Au OR GXT OVER CONTACT AREA. (ONE SIDE)
Tin 120u" OVER SOLDERING AREA.
2. PACKING SPEC. GS-14-924.
3. PRODUCT PERFORMANCE PER SPEC. GS-12-285.
4. PART NUMBER SCHEME: (EX. 10058937-100ABSMFLF)
10058937-X XX X X X X LF (LEAD FREE)

SPEC.	OPTION (CODE)			
	MYLAR	WITH (M)	WITHOUT ()	
PACKING	TRAY (S)	TAPE & REEL (T)	TUBE (P)	
HSG COLOR	BLACK (B)	NATURE (N)		
MOUNT SIDE	ABOVE (A)			
STAND-OFF	0 (00)			
PLATING	GOLD 30u" (1)	GXT 30u" (2)		
		GXT 15u" (4)		

5. RoHS COMPATIBLE PRODUCT SPECIFICATIONS
a-PLATING:
- "LF" MEANS THE PRODUCT IS LEAD-FREE, 2micro-meter MINIMUM MATTE TIN OVER 1.27micro-meter MINIMUM NICKEL UNDERPLATE.
b-MANUFACTURING PROCESS COMPATIBILITY.
- THE HOUSING WILL WITHSTAND EXPOSURE TO 260°C±5°C SOLDER BATH TEMPERATURE FOR 5 SECONDS IN A REFLOW SOLDER APPLICATION WITH A 1.6mm MIN THICK CIRCUIT BOARD.
6. UMNATING FORCE: 18.5N MAX.

www.fciconnect.com			surface <input checked="" type="checkbox"/>	tolerance std ASME Y14.5	projection 	MM		
TOLERANCES UNLESS OTHERWISE SPECIFIED								
Dr	KENNY TAI	2005-08-03	ANGULAR	LINEAR	0.X	±0.50	size A4	Scale 1.000
Eng	KENNY TAI	2005-08-03			0.XX	±0.30	ECN	
Chr	KENNY TAI	2005-08-03	0°	±2°	0.XXX	±0.10		
Appr	PAUL WANG	2005-08-03	Product family EXPRESSCARD			Spec ref *		
			TOP MOUNT, 0 STAND OFF			dwg no 10058937		Rev. D
			EXPRESSCARD HOST CONNECTOR			catalog no 10058937		CUSTOMER
						sheet 2 of 2		

REV F - 2006-04-17