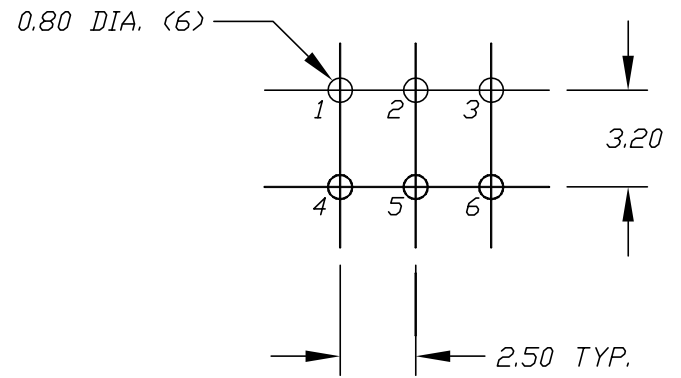
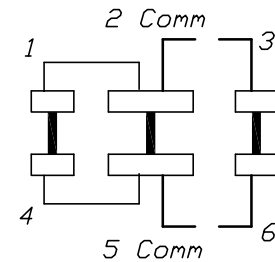
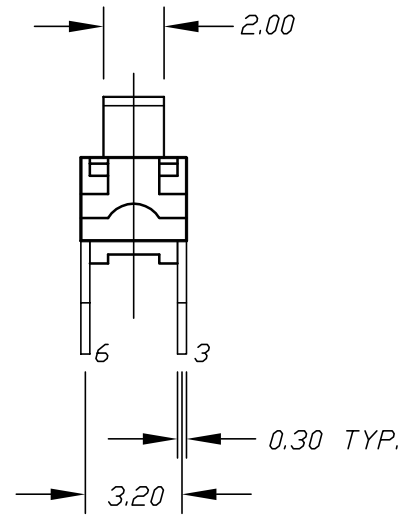
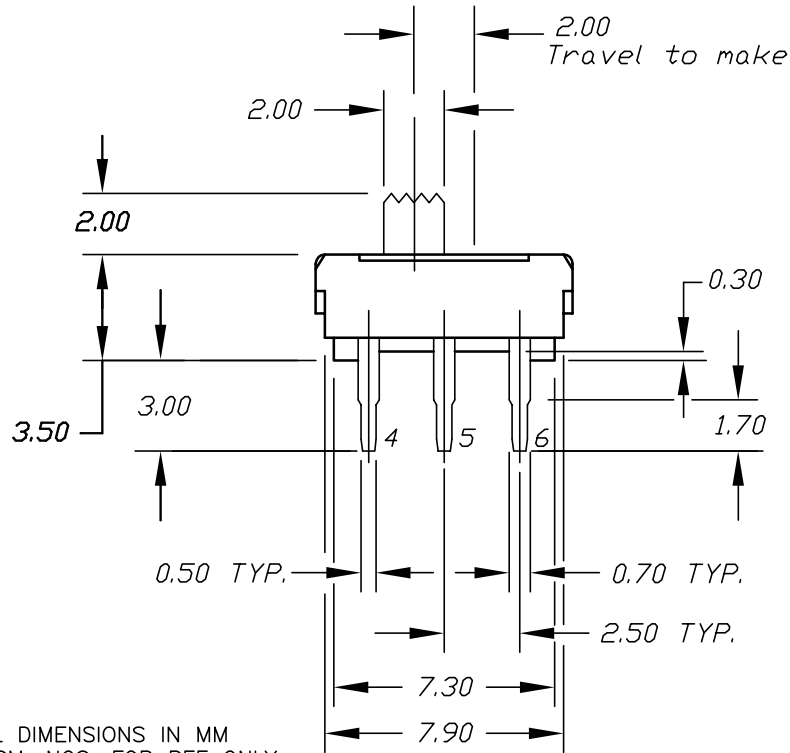


KNOB DETAIL
SCALE 8:1



RECOMMEND P.C.B. HOLES



CIRCUIT: SPDT

NOTES:

1. ALL DIMENSIONS IN MM
2. TERM. NOS. FOR REF ONLY
3. RATING: DC 30V, 0.3A
4. OPERATING FORCE: 200±150gf
5. ACTUATOR TRAVEL: 2MM
6. CONTACT RESISTANCE: 200 MILLIOHMS MAX.
7. INSULATION RESISTANCE: 100 MEGAOHMS
8. DIELECTRIC WITHSTANDING: 500VAC

E-SWITCH®

E	14046	ADD NOTES 5, 6, 7, 8, UPDATE	5/28/04	AR
D		REVISED & REDRAWN		
REV.	ECN No.	DESCRIPTION	DATE	CHKD

TITLE				
EG1271 - SPDT NON-SHORTING				
SCALE	DATE	DR	DWG	REV
4:1	10/5/96	AR	P040046	E

THE INFORMATION CONTAINED IN THIS DOCUMENT IS PROPRIETARY TO E-SWITCH AND IS NOT TO BE COPIED OR TRANSFERRED