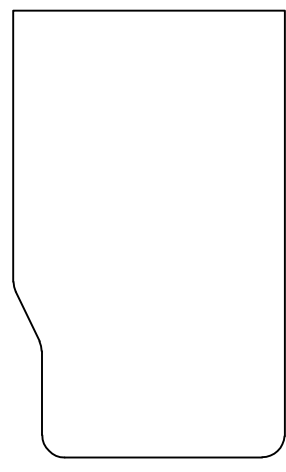
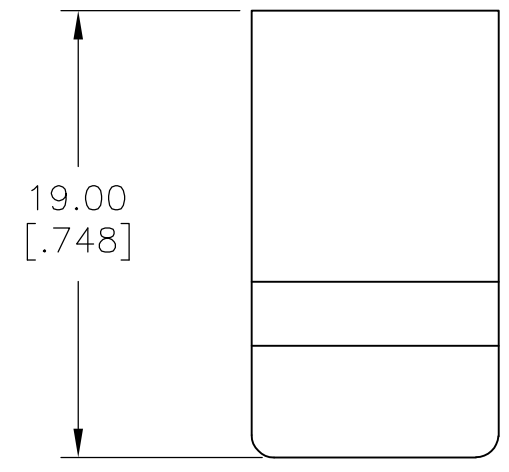
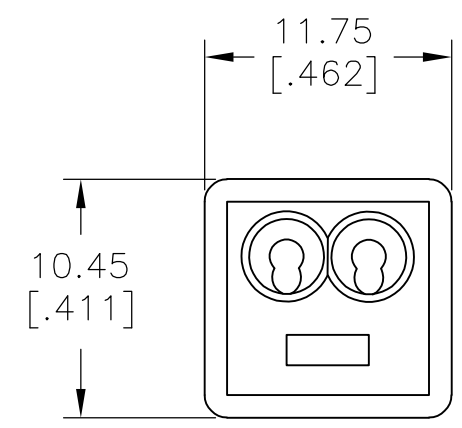


THIS DRAWING IS UNPUBLISHED. RELEASED FOR PUBLICATION
 © COPYRIGHT - By - ALL RIGHTS RESERVED.

LOC		DIST		REVISIONS			
P	LTR	DESCRIPTION		DATE	DWN	APVD	
	A	NEW DRAWING		03OCT2015	NK	RH	



- 1 HOUSING MATERIAL : POLYCARBONATE (PC), FLAME-RETARDANT TO UL 94-V0
- 2 VOLTAGE : 600V(UL), 450V(IEC)
- 3 CURRENT : 24A(IEC)
- 4 WORKING TEMPERATURE : T110(IEC), 105°C(UL)
- 5 WIRE RANGE : 22-12 AWG, SOL/STR Cu(UL), 0.5-2.5mm²(VDE)
- 6 STRIPPING LENGTH : 11.0[.43]

2299514-1 AS SHOWN

THIS DRAWING IS A CONTROLLED DOCUMENT.		DWN	03OCT2015		TE Connectivity		
		CHK	03OCT2015				
DIMENSIONS: mm [INCHES]		TOLERANCES UNLESS OTHERWISE SPECIFIED:		NAME		CPGI-WC-PG-2-PORT-BULK	
		0 PLC ± -		APVD		03OCT2015	
		1 PLC ± 0.2[.008]		HILL, RYAN		PRODUCT SPEC	
		2 PLC ± 0.40[.016]		HILL, RYAN		APPLICATION SPEC	
		3 PLC ± -		-		SIZE	
		4 PLC ± -		-		CAGE CODE	
		ANGLES ± -		-		DRAWING NO	
MATERIAL		FINISH		WEIGHT		RESTRICTED TO	
-		-		-		-	
CUSTOMER DRAWING				A3 00779		G-2299514	
				SCALE		SHEET	
				1:1		1 OF 1	
				REV		A	