

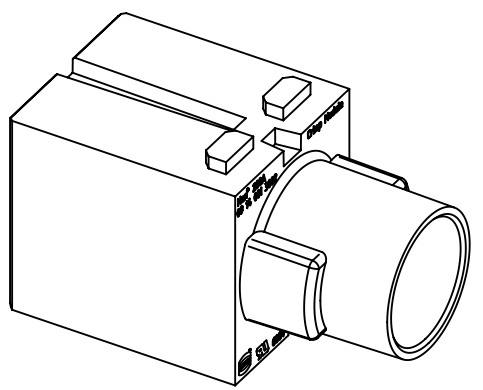
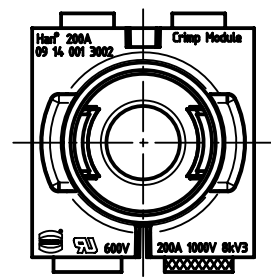
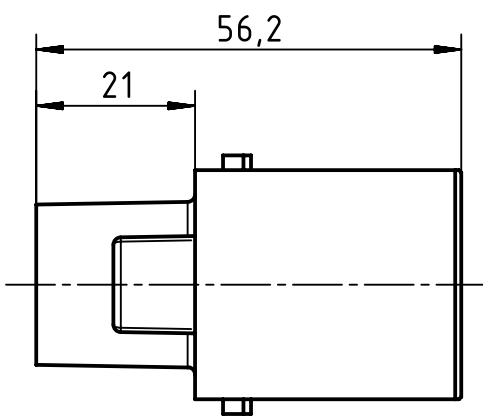
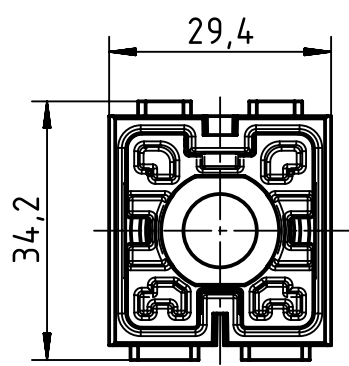
1 2 3 4 5 6

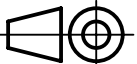

A

B

C

D



 All Dimensions in mm Original Size DIN A4	Scale 1:1		Free size tol.			Ref.	
	Created by GRUBES		Inspected by BEISCHER	Standardisation SCHMIDTM	Date 2014-06-02	State Final Release	
 All rights reserved Department EL PD - DE	Title Han 1Mod-m-c 200A finger protected					Doc-Key / ECM-Nr. 100576059/UGD/001/A 500000075477	
	HARTING Electric GmbH & Co. KG D-32339 Espelkamp		Type TB	Number 09 14 001 3002			Rev. A