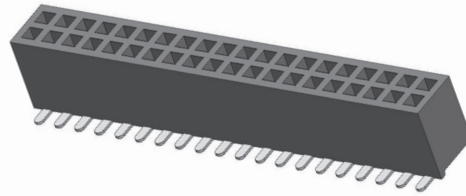




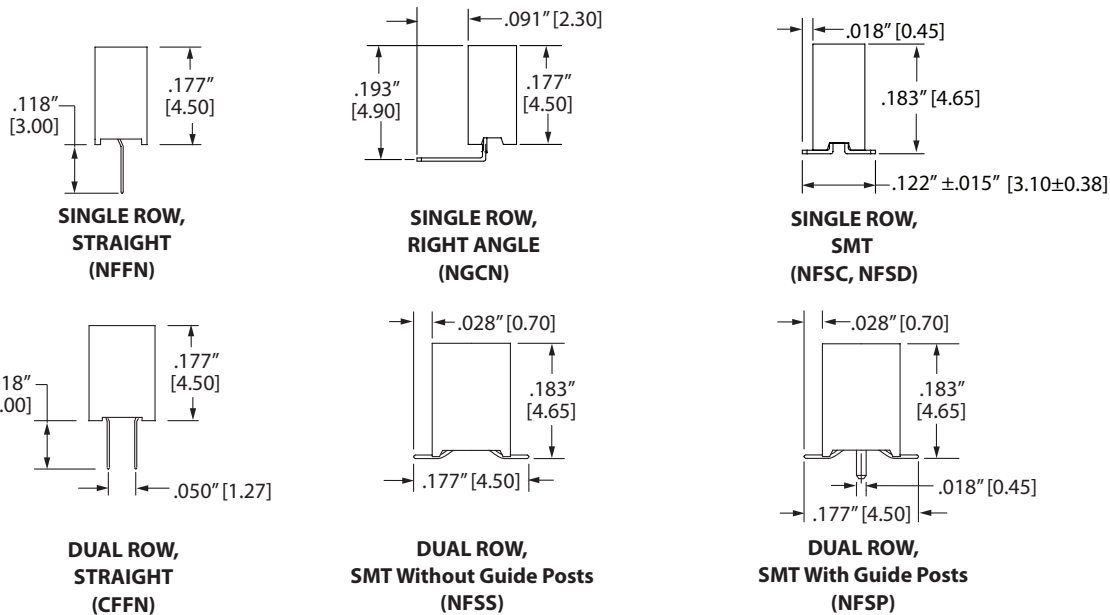
.050" [1.27 mm] Contact Centers, Female Headers, Straight/Right Angle/SMT

SPECIFICATIONS

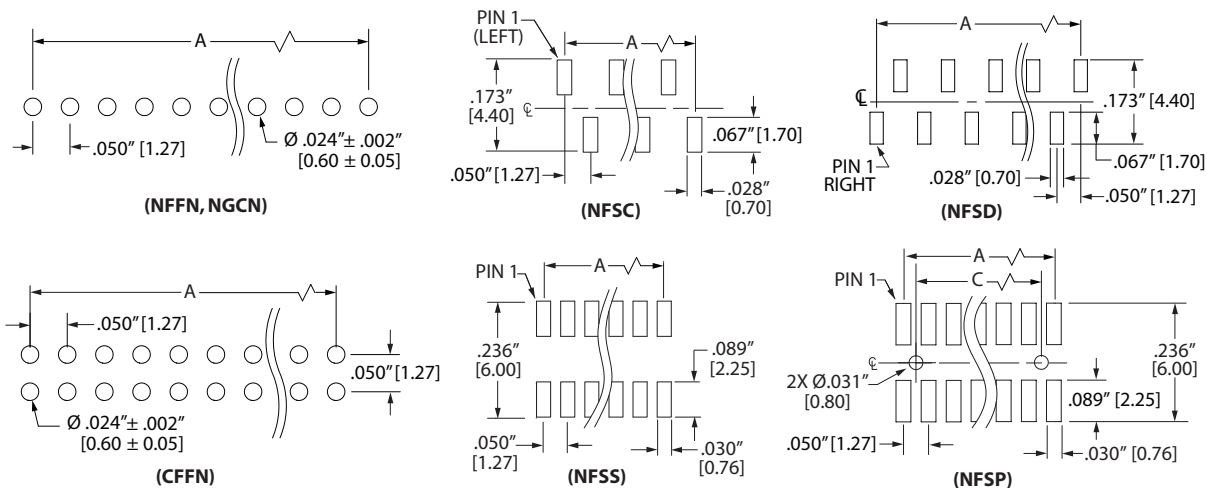
- Insulator Material: LCP
- Contact Material: Phosphor Bronze
- Plating: Gold Flash Overall
- 1 Amp current rating
- UL Flammability Rating: 94V-0



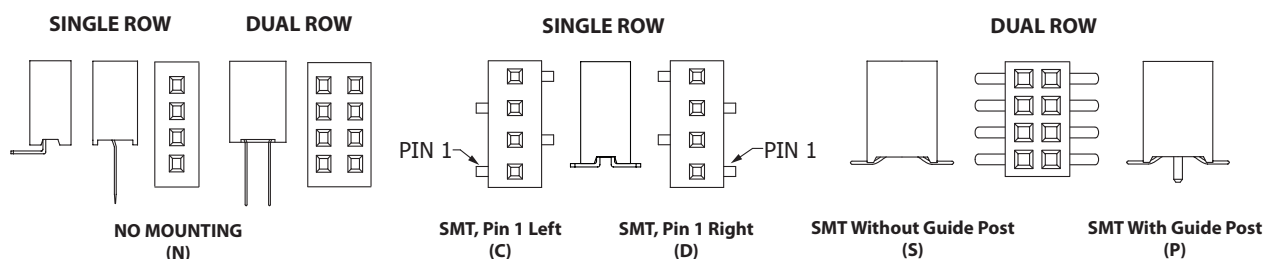
TERMINATION TYPE



PCB LAYOUT



MOUNTING STYLE





.050" [1.27 mm] Contact Centers, Female Headers, Straight/Right Angle/SMT

PART NUMBER OPTIONS

L P P B xx 1 NFF N - RC

INSULATOR MATERIAL
L = LCP

CONTACT MATERIAL
P = Phosphor Bronze

CONTACT FINISH - RoHS Compliant
P = Gold Flash Overall

CONTACT CENTERS
B = .050" [1.27 mm]

NUMBER OF POSITIONS
Positions Termination
Available Termination
2 Thru 50 = NFFN, NGCN, NFSC, NFSD, Single Row
2 Thru 50 = CFFN, NFSS, Dual Row
3 Thru 50 = NFSP, Dual Row

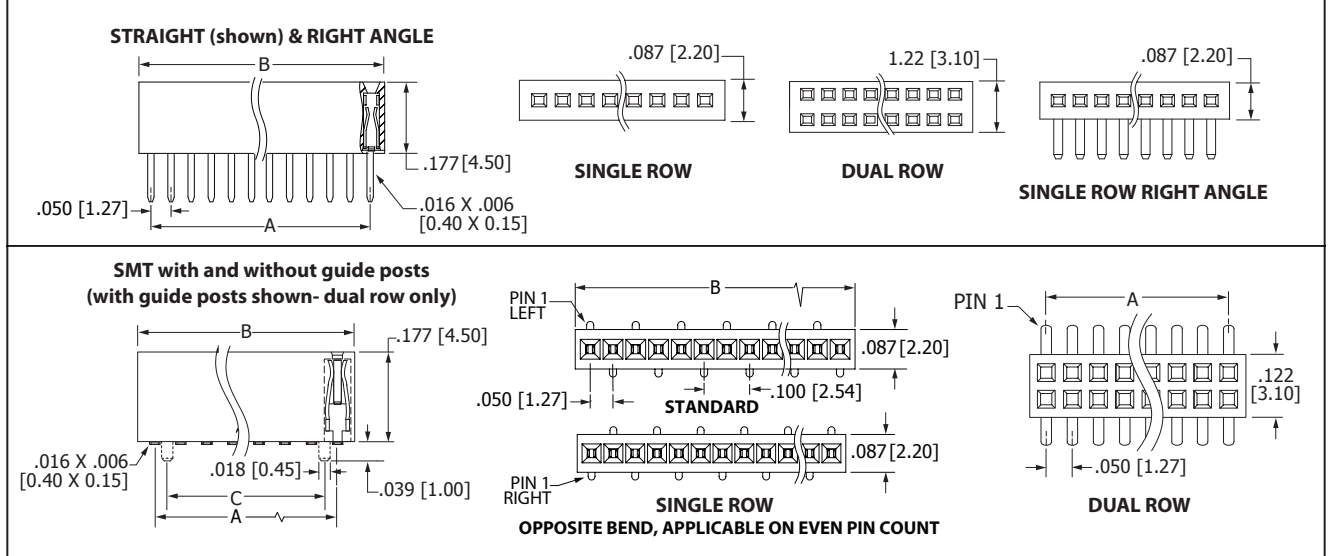
RoHS COMPLIANT
Consult Factory For Modifications

MOUNTING STYLE
N = No Mounting
C = Surface Mount, Pin 1 Left (Single Row Only)
D = Surface Mount, Pin 1 Right (Single Row Only)
S = Surface Mount without Guide Posts (Dual Row Only)
P = Surface Mount with Guide Posts (Dual Row Only)

TERMINATION TYPE (See Opposite Page)
NFF, CFF, NGC, NFS

NUMBER OF ROWS
1 = Single Row
2 = Dual Row

DIMENSIONS Dimensions in [] are in millimeters, all others are in inches.



| POSITIONS | NUMBER OF CONTACTS SINGLE/DUAL | A | | B | | C | | POSITIONS | NUMBER OF CONTACTS SINGLE/DUAL | A | | B | | C | |
|-----------|--------------------------------|-------|-------|-------|-------|-------|-------|-----------|--------------------------------|-------|-------|-------|-------|-------|-------|
| | | in | mm | in | mm | in | mm | | | in | mm | in | mm | in | mm |
| 02 | 2/4 | .050 | 1.27 | 0.116 | 2.94 | N/A | | 27 | 27/54 | 1.300 | 33.02 | 1.366 | 34.69 | 1.250 | 31.75 |
| 03 | 3/6 | .100 | 2.54 | 0.166 | 4.21 | .050 | 1.27 | 28 | 28/56 | 1.350 | 34.29 | 1.416 | 35.96 | 1.300 | 33.02 |
| 04 | 4/8 | .150 | 3.81 | 0.216 | 5.48 | .100 | 2.54 | 29 | 29/58 | 1.400 | 35.56 | 1.466 | 37.23 | 1.350 | 34.29 |
| 05 | 5/10 | .200 | 5.08 | 0.266 | 6.75 | .150 | 3.81 | 30 | 30/60 | 1.450 | 36.83 | 1.516 | 38.50 | 1.400 | 35.56 |
| 06 | 6/12 | .250 | 6.35 | 0.316 | 8.02 | .200 | 5.08 | 31 | 31/62 | 1.500 | 38.10 | 1.566 | 39.77 | 1.450 | 36.83 |
| 07 | 7/14 | .300 | 7.62 | 0.366 | 9.29 | .250 | 6.35 | 32 | 32/64 | 1.550 | 39.37 | 1.616 | 41.04 | 1.500 | 38.10 |
| 08 | 8/16 | .350 | 8.89 | 0.416 | 10.56 | .300 | 7.62 | 33 | 33/66 | 1.600 | 40.64 | 1.666 | 42.31 | 1.550 | 39.37 |
| 09 | 9/18 | .400 | 10.16 | 0.466 | 11.83 | .350 | 8.89 | 34 | 34/68 | 1.650 | 41.91 | 1.716 | 43.58 | 1.600 | 40.64 |
| 10 | 10/20 | .450 | 11.43 | 0.516 | 13.10 | .400 | 10.16 | 35 | 35/70 | 1.700 | 43.18 | 1.766 | 44.85 | 1.650 | 41.91 |
| 11 | 11/22 | .500 | 12.70 | 0.566 | 14.37 | .450 | 11.43 | 36 | 36/72 | 1.750 | 44.45 | 1.816 | 46.12 | 1.700 | 43.18 |
| 12 | 12/24 | .550 | 13.97 | 0.616 | 15.64 | .500 | 12.70 | 37 | 37/74 | 1.800 | 45.72 | 1.866 | 47.39 | 1.750 | 44.45 |
| 13 | 13/26 | .600 | 15.24 | 0.666 | 16.91 | .550 | 13.97 | 38 | 38/76 | 1.850 | 46.99 | 1.916 | 48.66 | 1.800 | 45.72 |
| 14 | 14/28 | .650 | 16.51 | 0.716 | 18.18 | .600 | 15.24 | 39 | 39/78 | 1.900 | 48.26 | 1.966 | 49.93 | 1.850 | 46.99 |
| 15 | 15/30 | .700 | 17.78 | 0.766 | 19.45 | .650 | 16.51 | 40 | 40/80 | 1.950 | 49.53 | 2.016 | 51.20 | 1.900 | 48.26 |
| 16 | 16/32 | .750 | 19.05 | 0.816 | 20.72 | .700 | 17.78 | 41 | 41/82 | 2.000 | 50.80 | 2.066 | 52.47 | 1.950 | 49.53 |
| 17 | 17/34 | .800 | 20.32 | 0.866 | 21.99 | .750 | 19.05 | 42 | 42/84 | 2.050 | 52.07 | 2.116 | 53.74 | 2.000 | 50.80 |
| 18 | 18/36 | .850 | 21.59 | 0.916 | 23.26 | .800 | 20.32 | 43 | 43/86 | 2.100 | 53.34 | 2.166 | 55.01 | 2.050 | 52.07 |
| 19 | 19/38 | .900 | 22.86 | 0.966 | 24.53 | .850 | 21.59 | 44 | 44/88 | 2.150 | 54.61 | 2.216 | 56.28 | 2.100 | 53.34 |
| 20 | 20/40 | .950 | 24.13 | 1.016 | 25.80 | .900 | 22.86 | 45 | 45/90 | 2.200 | 55.88 | 2.266 | 57.55 | 2.150 | 54.61 |
| 21 | 21/42 | 1.000 | 25.40 | 1.066 | 27.07 | .950 | 24.13 | 46 | 46/92 | 2.250 | 57.15 | 2.316 | 58.82 | 2.200 | 55.88 |
| 22 | 22/44 | 1.050 | 26.67 | 1.116 | 28.34 | 1.000 | 25.40 | 47 | 47/94 | 2.300 | 58.42 | 2.366 | 60.09 | 2.250 | 57.15 |
| 23 | 23/46 | 1.100 | 27.94 | 1.166 | 29.61 | 1.050 | 26.67 | 48 | 48/96 | 2.350 | 59.69 | 2.416 | 61.36 | 2.300 | 58.42 |
| 24 | 24/48 | 1.150 | 29.21 | 1.216 | 30.88 | 1.100 | 27.94 | 49 | 49/98 | 2.400 | 60.96 | 2.466 | 62.63 | 2.350 | 59.69 |
| 25 | 25/50 | 1.200 | 30.48 | 1.266 | 32.15 | 1.150 | 29.21 | 50 | 50/100 | 2.450 | 62.23 | 2.516 | 63.90 | 2.400 | 60.96 |
| 26 | 26/52 | 1.250 | 31.75 | 1.316 | 33.42 | 1.200 | 30.48 | | | | | | | | |