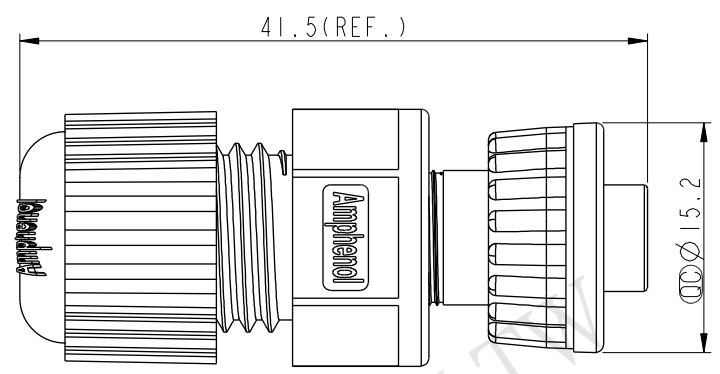
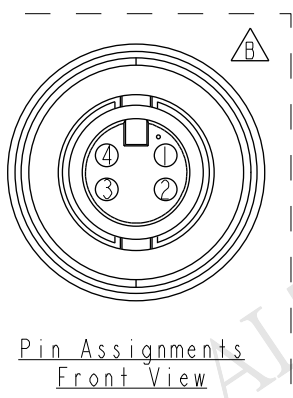
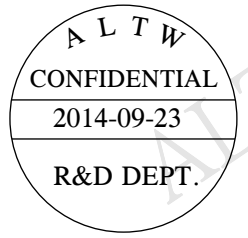
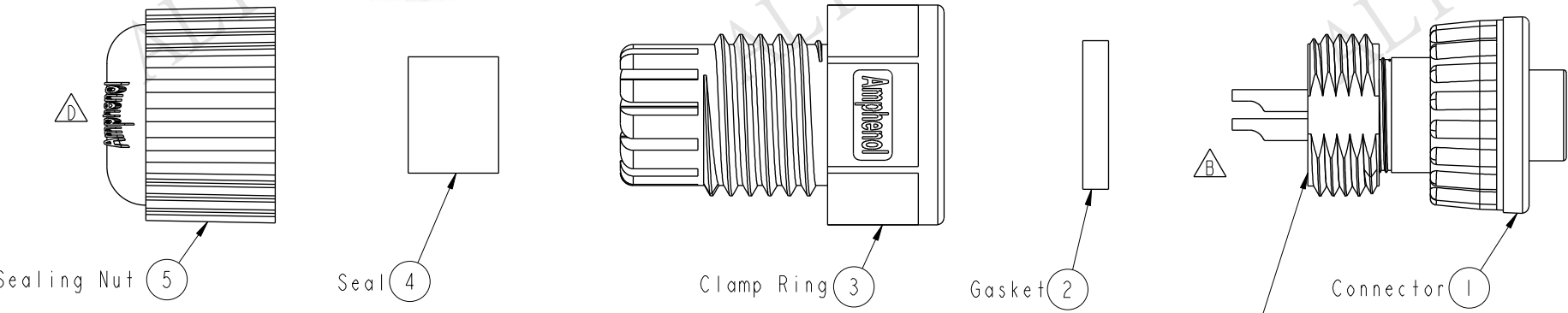


THIS DOCUMENT IS SUBJECT TO CHANGE WITHOUT NOTICE. IT IS CONFIDENTIAL AND A PROPERTY OF Amphenol LTW. DISCLOSURE TO THIRD PARTY HAS TO BE AUTHORIZED BY Amphenol LTW.

REV.	ECN NO.	DATE	SIGN	DESCRIPTION
B	LEN-0C0263	2010/11/25	Ivan Lin	Change View & Frame
C	LEN1370164	2013/07/09	Vicky	Update Title.
D	LEN1490186	2014/08/19	Rita	Change Logo LTW To Amphenol



- Note:
- * \varnothing Important Dimension To Check.
 - * Waterproof Rate: IP67
 - * Housing: Nylon+GF, Black
 - * Female Pin: Copper Alloy, Gold Plated
 - * Lock Nut: Nylon+GF, Black
 - * O-Ring: EPDM, Black
 - * Gasket: EPDM, Black
 - * Seal: EPDM, Black
 - * Clamp Ring: Nylon, Black
 - * Sealing Nut: Nylon, Black
 - * Seal For Cable OD: $\varnothing 4.5\text{mm} \sim \varnothing 6.5\text{mm}$
 - * One Set Unassembled In One PE Bag

UNIT: mm		
TOLERANCE		
.X	± 0.25	
.XX	± 0.1	
.XXX	± 0.05	
ANGLES	$\pm 1^\circ$	

TITLE Mini Assy Lock 4Pin F Conn. F Pin			
SCALE 2:1	SIZE A4	SHEET 1 OF 1	
REV. D	WC-REV. B.1	\varnothing : Inspection item	

Amphenol LTW
安費諾亮泰企業股份有限公司

ITEM NO. AU-04BFFA-LL7001	DRAWN BY Rita	DATE 2014-08-19
DWG NO. AU-04BFFA-LL7001	CHECKED BY Vicky	DATE 2014-08-19
CUSTOMER ALTW	APPROVED BY Wenmao	DATE 2014-08-19