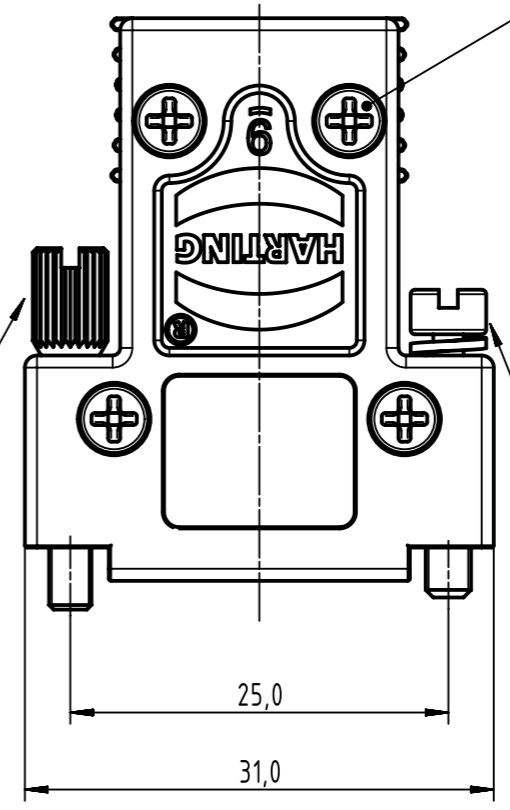
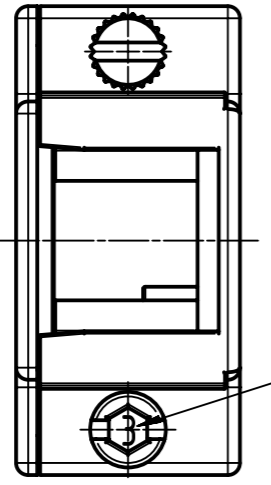


Hexagonal head screw driver
for cylinder head cap screw
part number:6103 600 0021
Max. torque=0,4Nm

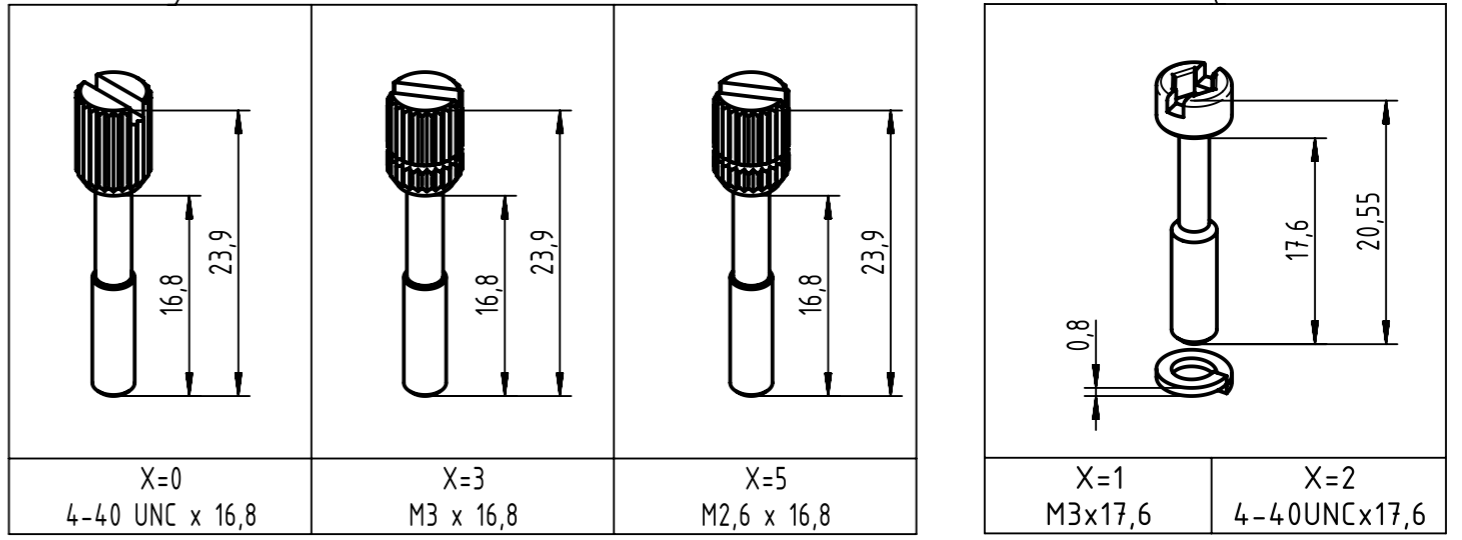


Cover screws(x4)
M2,5X8,0
TYPE Z phillips
Screwdriver head #1
Max. torque=0,3Nm



Identification number
on locking screw

Note: Full metal hood made with zinc diecast



6103 001 X010			
6103 001 5010		M2,6 x 16,8	
6103 001 3010	Knurled thumb screw	M3 x 16,8	N/A
6103 001 0010		4-40UNC x 16,8	
6103 001 2010		4-40UNC x 17,6	
6103 001 1010	Cylinder socket head cap screw with spring washer	M3 x 17,6	1
Part number		Screw type	Screw size

All rights reserved Department EC PD - CN HARTING Electronics GmbH D-32339 Espelkamp		All Dimensions in mm Original Size DIN A3	Scale 2:1 Free size tol.	Ref. Sub.
Created by LUOK Title InduCom 9-pole straight full metal hood Type TB	Inspected by WANGSTE Standardisation HOFFMANN	Date 2014-03-11	State Final Release	Doc-Key / ECM-Nr. 100539388/UGD/002/D 50000072589
Number 6103001X010			Rev. D	Page 1/1