

DO NOT SCALE DRAWING DIMENSION IN METRIC

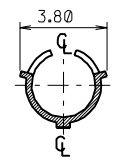
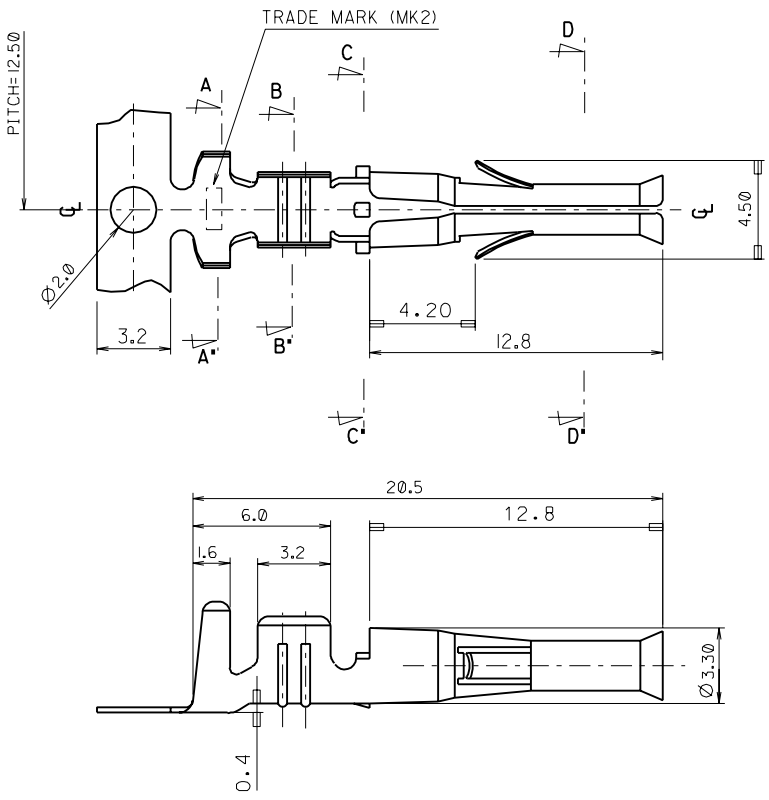
PROJECT NO. SD-35728-001

SIMILAR ITEM

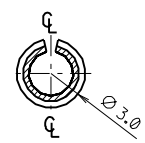
PROJECT NO.

C

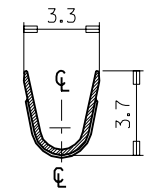
B



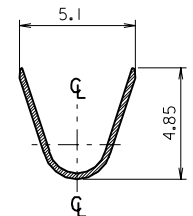
SECTION: C-C'



SECTION: D-D'



SECTION: B-B'



SECTION: A-A'

NOTES

1. MATERIAL: BRASS THICKNESS: 0.25
2. FINISH: PRE-TIN PLATING
6. APPLICABLE HOUSING: Ø2.0 PLUG HOUSING (35143-001, 35144-040) • MEANS CIRCUIT NO.
7. MATING TERMINAL: Ø2.0 PIN TERMINAL (35727-020)
8. APPLICABLE WIRE RANGE: AWG #20-#14, INSUL.DIA 1.9-3.4mm

MATERIAL NO.	ENG. NO.
357280201	35728-0201

REVISED EC NO. KOR 1999-0120 DRWN: W.Y.YANG 99.12.31 CHK: CHK: APPR:	DESCRIPTION	QUALITY SYMBOLS
	MAJOR = 3 CRITICAL = 0	
C		

GENERAL TOLERANCES: (UNLESS SPECIFIED)	
4 PLACES	±0.25
3 PLACES	±0.25
2 PLACES	±0.25
1 PLACE	±0.25
ANGULAR: ± 3°	
DRAFT WHERE APPLICABLE MUST REMAIN WITHIN DIMENSIONS	

SCALE 5:1	DESIGN UNITS <input checked="" type="checkbox"/> mm <input type="checkbox"/> INCH
DRAWN BY & DATE W.Y.YANG 92/03/04	
CHECKED BY & DATE B.K.CHOI 92/03/04	
APPROVED BY & DATE C.W.LEE 92/03/04	
CAD FILENAME E7280201.DGN	

DIMENSIONS: <input type="checkbox"/> mm <input type="checkbox"/> INCH <input checked="" type="checkbox"/> mm ONLY		SHT	REV
THIRD ANGLE PROJECTION		REVISE ON CAD ONLY	
TITLE: 2.0 DIA SOCKET TERMINAL			
MOLEX INCORPORATED KOREA			
MATERIAL NO. SEE CHART	DRAWING NO. SD-35728-001	SHEET NO. 10F1	SIZE B
THIS DRAWING CONTAINS INFORMATION THAT IS PROPRIETARY TO MOLEX INCORPORATED AND SHOULD NOT BE USED WITHOUT WRITTEN PERMISSION.			