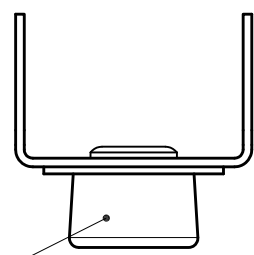
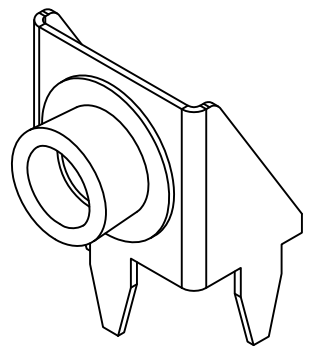
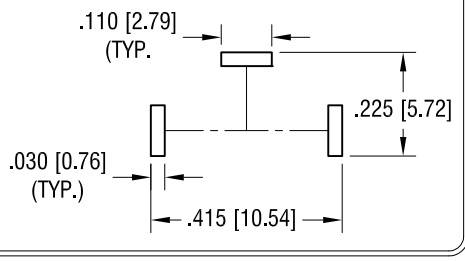
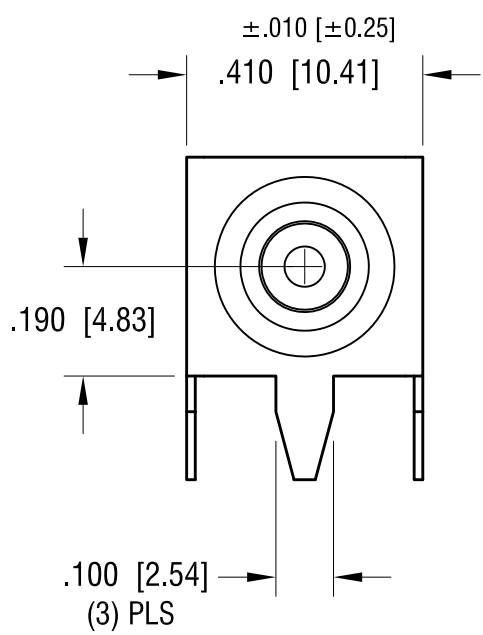
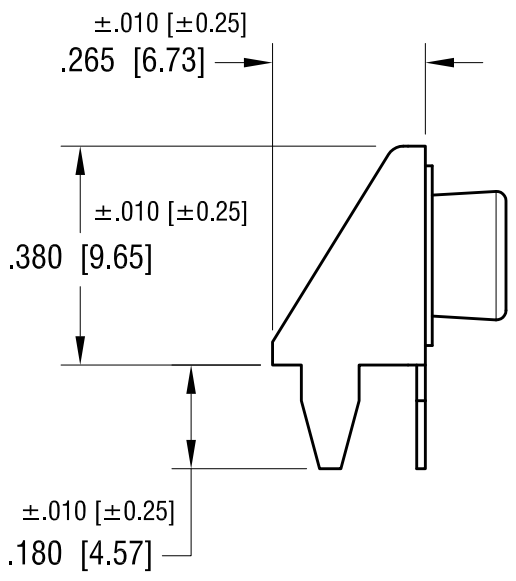


THIS DOCUMENT IS THE PROPERTY OF KEYSTONE ELECTRONICS CORP. AND SHALL NOT BE REPRODUCED, DISTRIBUTED OR USED AS A BASIS FOR MANUFACTURE WITHOUT PRIOR WRITTEN PERMISSION FROM KEYSTONE ELECTRONICS CORP.

**MOUNTING DETAIL**



STUD P/N 261



**NOTE:**

- 1. BASE - MAT'L: .015 [0.38] TH'K STEEL  
FINISH: MATTE TIN PLATE
- 2. STUD - MAT'L: STEEL  
FINISH: NICKEL PLATE

6.02.09	CHANGE AS PER ECN 09-042	A
DATE	DESCRIPTION	REV.

<b>KEYSTONE ELECTRONICS CORP.</b>			
www.keyelco.com • ASTORIA, N.Y. 11105-2017 • Tel (718) 956-8900			
PART NAME		9 VOLT MALE PC SNAP-ON	
MATERIAL		AS NOTED	
FINISH		DRN BY	DATE
AS NOTED		BOONE	3.26.99
		APP'D	SCALE
		LN	3X
TOLERANCES	INCH [MM]	CODE	DWG NO.
DECIMAL	± .005 [± 0.15]	C	<b>635</b>
ANGULAR	± 1°		
UNLESS OTHERWISE SPECIFIED			