

5

4

3

2

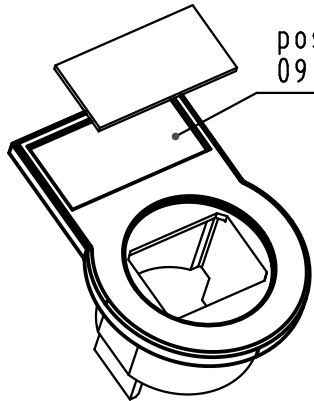
1

D

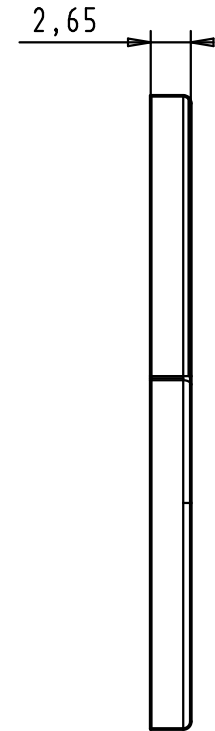
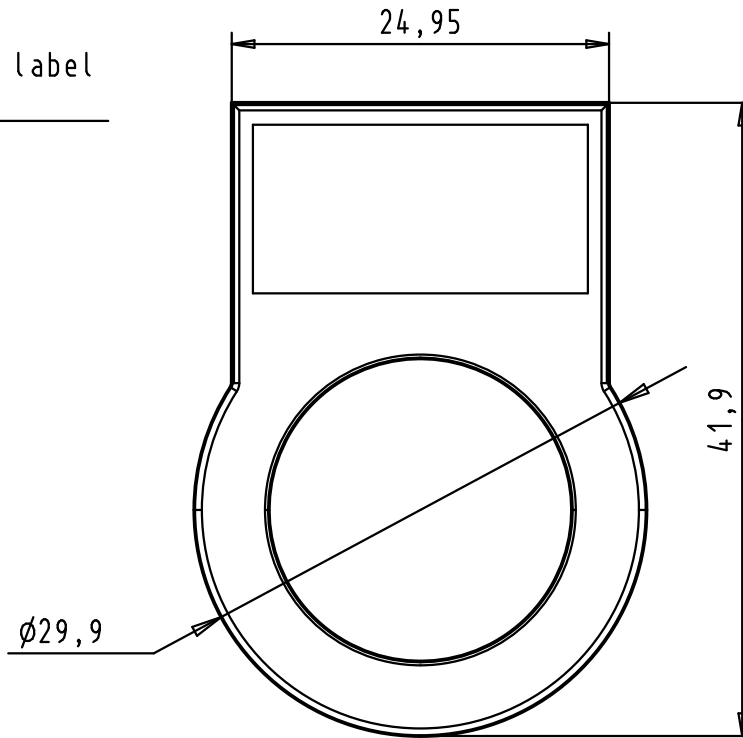
C



B

A



position for har-port label
09 45 502 0003



				Dat.	Name	 All Dim. in mm Orig. Size DIN A 4	har-port label holder	Maßstab/ Scale 2:1
			Detail.	26/JAN/11	BH			
			Insp.	26/JAN/11	JB			
			Stand.					
36224			HARTING EURL F-95972 Paris				TB 09 45 502 0002	Blatt/ Page 1 / 1
Mod.			Dat.		Name			