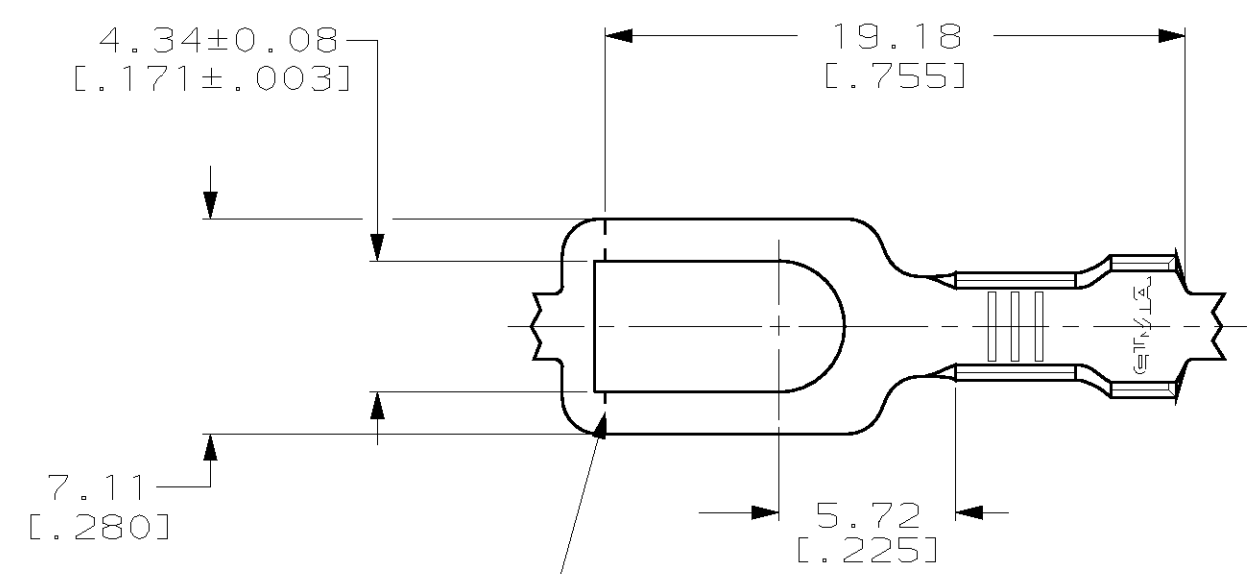
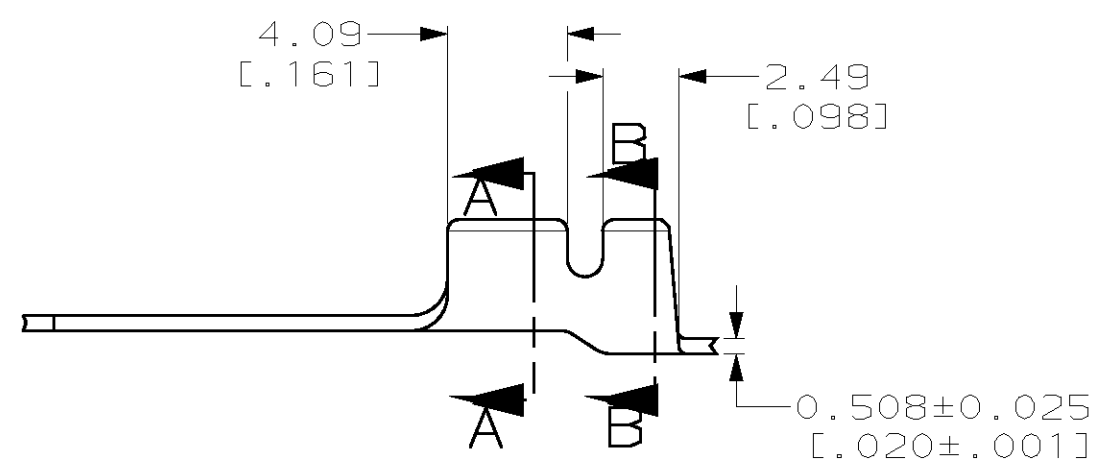


THIS DRAWING IS UNPUBLISHED. RELEASED FOR PUBLICATION ,19 .
 © COPYRIGHT 19 BY AMP INCORPORATED. ALL RIGHTS RESERVED.

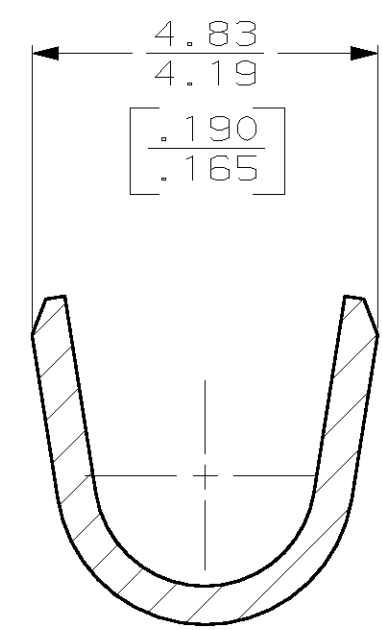
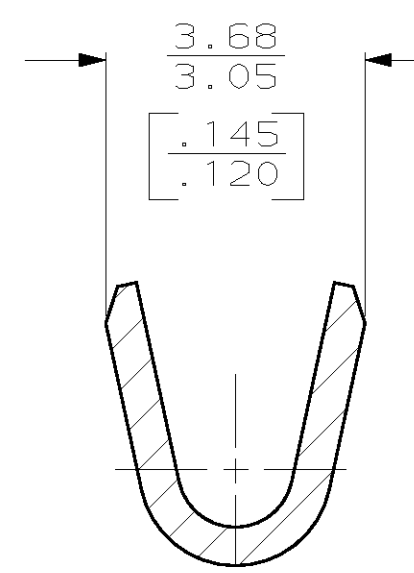
LOC	DIST	REVISIONS			
P	LTR	DESCRIPTION	DATE	DWN	APVD
AF	50	E	REDRAWN PER 0L10-0470-97	16/DEC/97	PF GY



APPLICATOR CUT-OFF

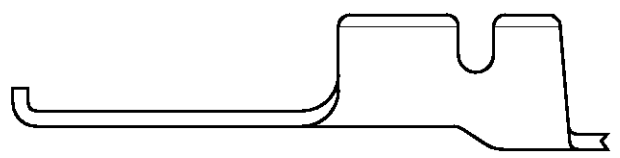


1 CONTINUOUS STRIP ON REEL



SECTION A-A
SCALE 10:1

SECTION B-B
SCALE 10:1



FLANGED IN APPLICATOR

2.54-3.56 [.100-.140] DIA	20-16 AWG	60390-1
INSULATION RANGE	WIRE RANGE	PART NUMBER

THIS DRAWING IS A CONTROLLED DOCUMENT.		DWN PHILLIP M FORTNEY 16/DEC/97	AMP Incorporated Harrisburg, PA 17105-3608															
DIMENSIONS: mm [INCHES]		CHK JEFF R RUTH 16/DEC/97	NAME SPADE															
TOLERANCES UNLESS OTHERWISE SPECIFIED:		APVD GARY YETTER 16/DEC/97																
<table border="1"> <tr><td>0 PLC</td><td>±-</td></tr> <tr><td>1 PLC</td><td>±-</td></tr> <tr><td>2 PLC</td><td>±0.25 [.010]</td></tr> <tr><td>3 PLC</td><td>±-</td></tr> <tr><td>4 PLC</td><td>±-</td></tr> <tr><td>ANGLES</td><td>±-</td></tr> </table>		0 PLC	±-	1 PLC	±-	2 PLC	±0.25 [.010]	3 PLC	±-	4 PLC	±-	ANGLES	±-	PRODUCT SPEC -	SIZE A3	CAGE CODE 00779	DRAWING NO C- 60390	RESTRICTED TO -
0 PLC	±-																	
1 PLC	±-																	
2 PLC	±0.25 [.010]																	
3 PLC	±-																	
4 PLC	±-																	
ANGLES	±-																	
MATERIAL 082 BRASS		FINISH -	WEIGHT -	CUSTOMER DRAWING		SCALE 4:1	SHEET 1 OF 1	REV E										