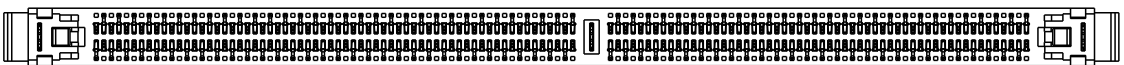
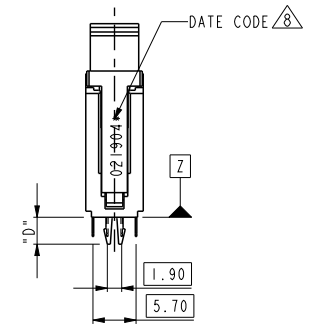
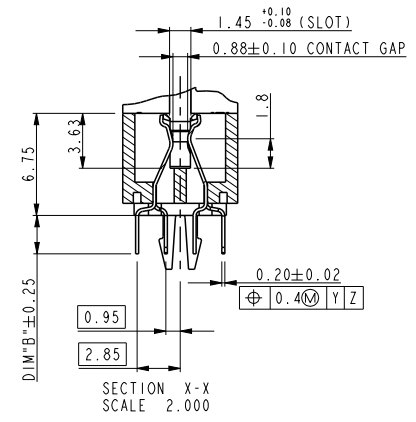
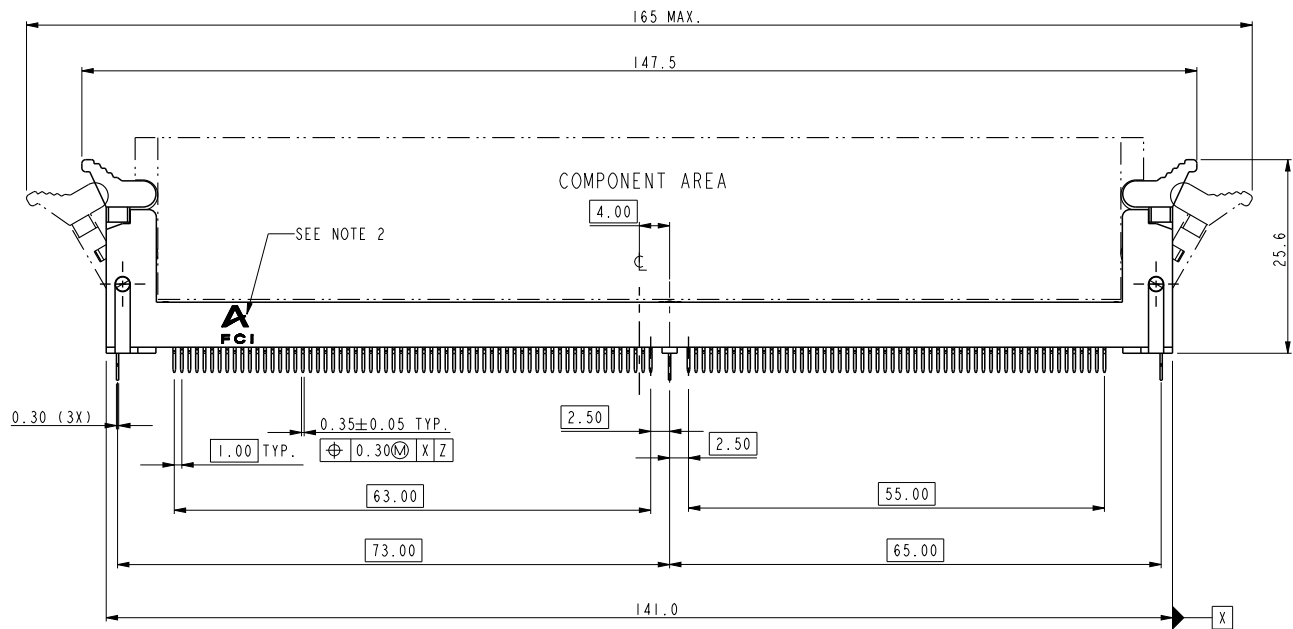
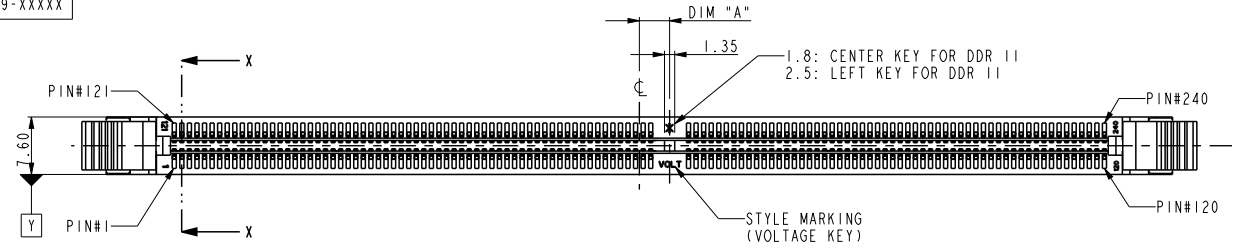


PRODUCT NO.
10005639-XXXX



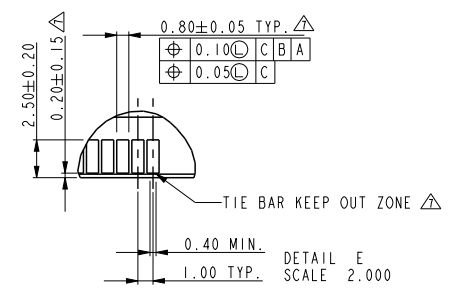
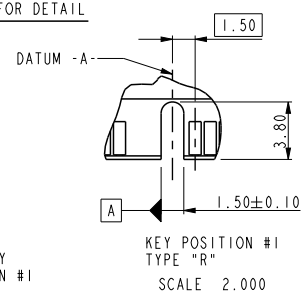
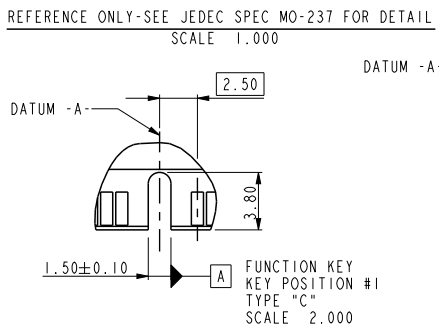
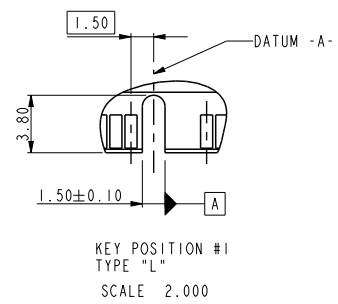
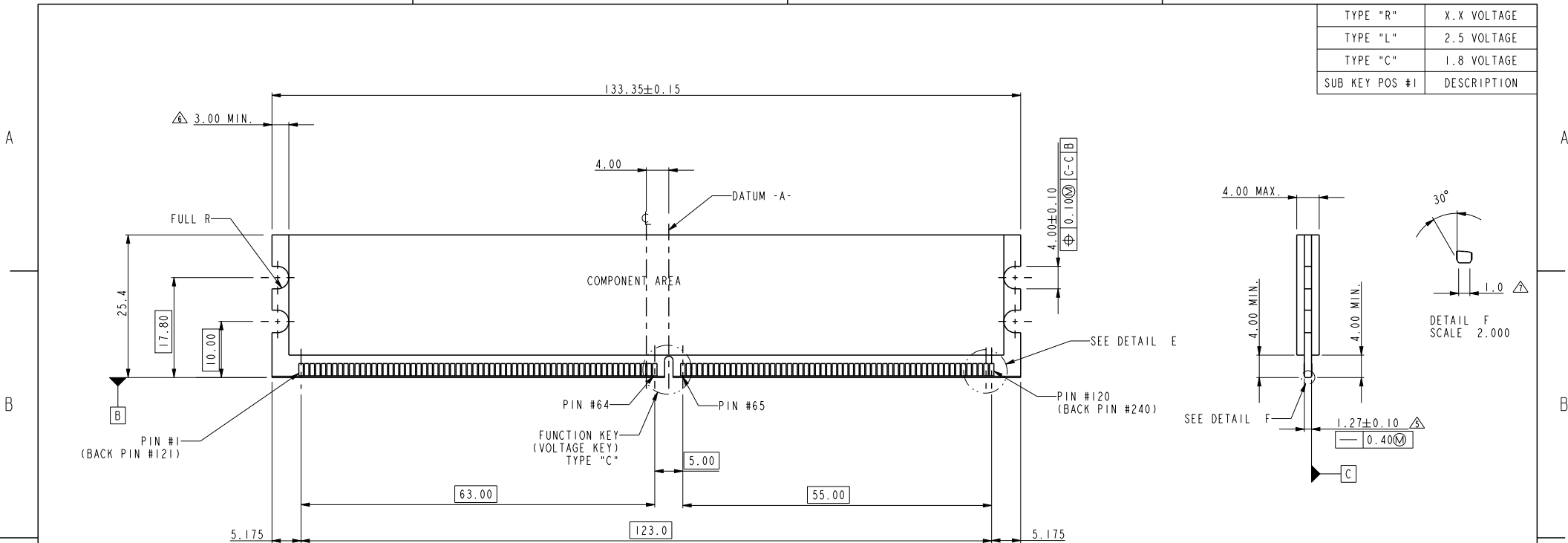
PART NO.	DIM "A"	DESCRIPTION
10005639-1****	4.00	1.8V
10005639-2****	3.00	2.5V
10005639-3****	5.00	X.XV

spec ref	*	dr	Rick Bian	2010/07/08	projection	mm	size	A4	scale	0.500												
tolerance std	TOLERANCES UNLESS OTHERWISE SPECIFIED	eng	Nickor Zuo	2011/11/30			ecn no	ELX-DG-008280-1														
-		chr	Jian Huang	2011/12/02				rel level	Released													
surface	<table border="1"> <tr> <td>linear</td> <td>0.X</td> <td>±0.38</td> </tr> <tr> <td></td> <td>0.XX</td> <td>±0.25</td> </tr> <tr> <td></td> <td>0.XXX</td> <td>±0.13</td> </tr> <tr> <td>angular</td> <td>0°</td> <td>±2°</td> </tr> </table>	linear	0.X	±0.38		0.XX	±0.25		0.XXX	±0.13	angular	0°	±2°	appr	Pei-Ming Zheng	2011/12/02	product family	dwg no	10005639		rev	X
linear	0.X	±0.38																				
	0.XX	±0.25																				
	0.XXX	±0.13																				
angular	0°	±2°																				
		www.fci.com		cat. no.	*	Product - Customer Drw		sheet 1 of 4														



Copyright FCI.

TYPE "R"	X.X VOLTAGE
TYPE "L"	2.5 VOLTAGE
TYPE "C"	1.8 VOLTAGE
SUB KEY POS #1	DESCRIPTION



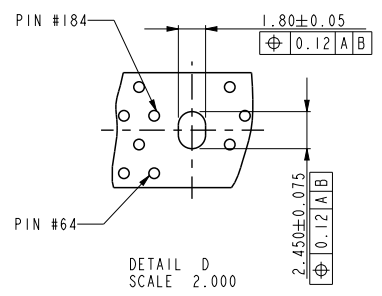
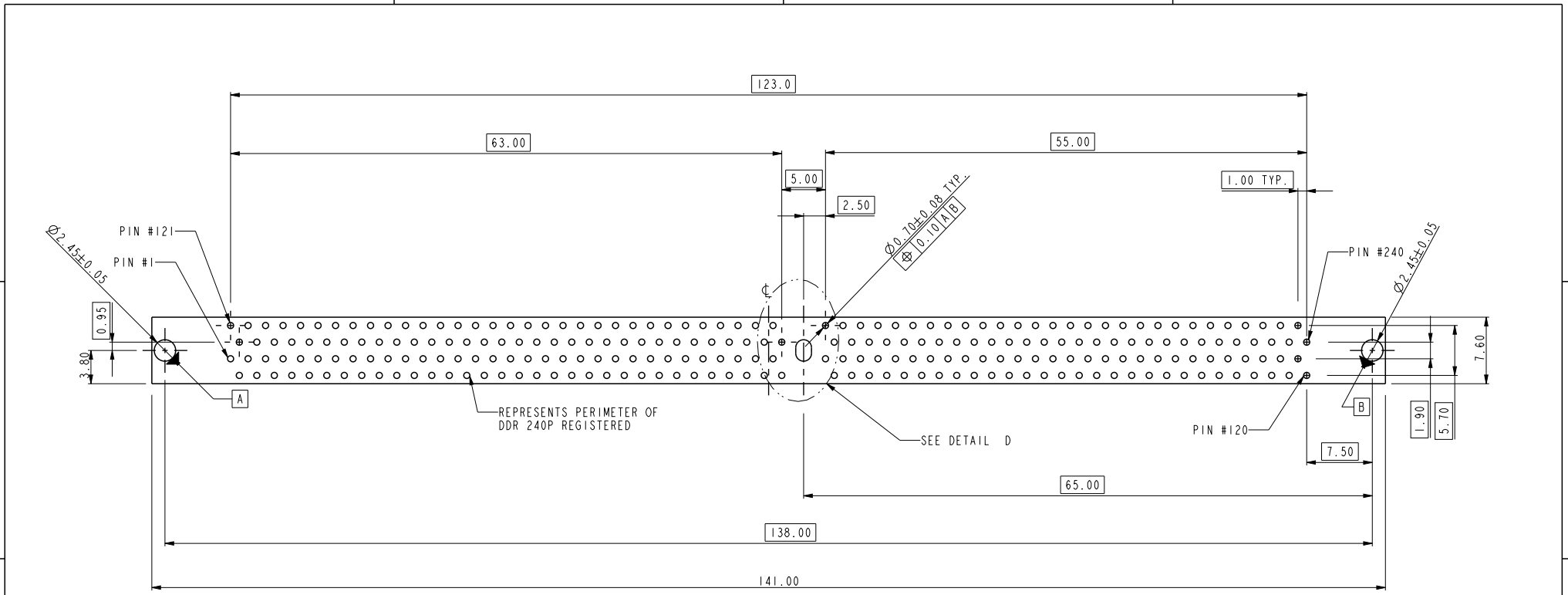
Copyright FCI.

spec ref	*	dr	Rick Bian	2010/07/08	projection	mm	size	A4	scale	0.500													
tolerance std	TOLERANCES UNLESS OTHERWISE SPECIFIED	eng	Nickor Zuo	2011/11/30			ecn no	ELX-DG-008280-1															
-		chr	Jian Huang	2011/12/02				rel level	Released														
surface	<table border="1"> <tr> <td>linear</td> <td>0.X</td> <td>±0.38</td> </tr> <tr> <td></td> <td>0.XX</td> <td>±0.25</td> </tr> <tr> <td></td> <td>0.XXX</td> <td>±0.13</td> </tr> <tr> <td>angular</td> <td>0°</td> <td>±2°</td> </tr> </table>	linear	0.X	±0.38		0.XX	±0.25		0.XXX	±0.13	angular	0°	±2°	appr	Pei-Ming Zheng	2011/12/02	product family	dwg no		10005639		rev	X
linear	0.X	±0.38																					
	0.XX	±0.25																					
	0.XXX	±0.13																					
angular	0°	±2°																					
www.fci.com		cat. no.		*	Product - Customer Drw			sheet 2 of 4															

PrdE File - REV C - 2009-06-09



Copyright FCI.



RECOMMENDED CIRCUIT BOARD HOLE LAYOUT

spec ref	*	dr	Rick Bian	2010/07/08	projection	mm	size	A4	scale	0.500											
tolerance std	TOLERANCES UNLESS OTHERWISE SPECIFIED	eng	Nickor Zuo	2011/11/30			ecn no		ELX-DG-008280-1												
-		chr	Jian Huang	2011/12/02			rel level		Released												
surface	<table border="1"> <tr> <td>linear</td> <td>0.X</td> <td>±0.38</td> </tr> <tr> <td></td> <td>0.XX</td> <td>±0.25</td> </tr> <tr> <td></td> <td>0.XXX</td> <td>±0.13</td> </tr> <tr> <td>angular</td> <td>0°</td> <td>±2°</td> </tr> </table>	linear	0.X	±0.38		0.XX	±0.25		0.XXX	±0.13	angular	0°	±2°	appr	Pei-Ming Zheng	2011/12/02	product family		rev		X
linear	0.X	±0.38																			
	0.XX	±0.25																			
	0.XXX	±0.13																			
angular	0°	±2°																			
		title DDRII 240P V/T DDRII 240P METAL CLIP ASS'Y			www.fci.com		cat. no.		* Product - Customer Drw												
							dwg no 10005639		sheet 3 of 4												

ProjE File - REV C - 2009-06-09



Copyright FCI.

10005639 - □ □ □ □ □

STYLE : MECHANICAL KEYING

- 1 : 1.8 VOLT. W/ CENTER KEY#1
- 2 : 2.5 VOLT. W/ LEFT KEY#1
- 3 : X.X VOLT. W/ RIGHT KEY#1

METAL CLIP

- 1 : WITH METAL CLIP + DIM "D"=3.05
- 2 : WITH METAL CLIP + DIM "D"=3.56
- 3 : WITH METAL CLIP + DIM "D"=3.43

TAIL LENGTH

CODE	DIM "B"
0	2.54
1	2.67
2	3.18
3	4.00

PLATING

CODE	CONTACT	SOLDERTAIL	UNDERPLATE
1	10u" (0.25um) MIN. GOLD	100u" (2.54um) MIN. TIN/LEAD	50u" (1.27um) MIN. NICKEL OVERALL
2	15u" (0.38um) MIN. GOLD		
3	30u" (0.76um) MIN. GOLD		
4	3u" (0.076um) MIN. GOLD	100u" (2.54um) MIN. 100% TIN	50u" (1.27um) MIN. NICKEL OVERALL
6LF	10u" (0.25um) MIN. GOLD		
7LF	15u" (0.38um) MIN. GOLD		
8LF	30u" (0.76um) MIN. GOLD		
9LF	3u" (0.076um) MIN. GOLD	GOLD FLASH	
8HLF	30u" (0.76um) MIN. GOLD		

COLOR OF HOUSING AND EJECTOR

- 0 : BLACK HOUSING + IVORY EJECTOR
- 1 : BLUE HOUSING + IVORY EJECTOR
- 2 : BLACK HOUSING + BLACK EJECTOR
- 3 : PURPLE HOUSING + IVORY EJECTOR
- 4 : ORANGE HOUSING + IVORY EJECTOR
- 5 : GREEN HOUSING + IVORY EJECTOR
- 6 : RED HOUSING + IVORY EJECTOR
- 7 : IVORY HOUSING + IVORY EJECTOR
- 8 : YELLOW HOUSING + IVORY EJECTOR
- 9 : IVORY HOUSING + BLACK EJECTOR

NOTES:

1. MATERIAL:
HOUSING: HIGH PERFORMANCE RESINS, GLASS FILLED UL94V-0 RATED.
EJECTOR: HIGH PERFORMANCE RESINS, GLASS FILLED UL94V-0 RATED.
TERMINAL: PHOSPHOR BRONZE.
METAL CLIP: COPPER ALLOY.
2. FCI LOGO TO BE APPROXIMATELY LOCATED AS SHOWN ON PRINT.
3. PRODUCT SPECIFICATION: GS-12-251.
4. PACKAGING SPECIFICATION: GS-14-899.
5. CARD THICKNESS APPLIES ACROSS TABS AND INCLUDES PLATING AND/OR METALIZATION.
6. 3.00 mm MINIMUM APPLIES TO BOTH 4.00 mm WIDE NOTCH LENGTH AND COMPONENT KEEPOUT AREA.
7. LEADING EDGE OF CONTACT PADS SPECIFIED BY THE KEEP OUT ZONE SHALL BE FREE OF BURRS AND EXTERNAL TIE BARS. FOR OPTIMUM PERFORMANCE, THE TIE BAR IS TO BE ON AN INTERNAL LAYER SO THAT THE REMNANT CANNOT CAUSE CONTACT DAMAGE.
8. THE DATE CODE IS SHOWN "MM-DD-YY*" "*" MEANS PRODUCTION LINE CODE.
9. THIS PRODUCT MEETS EUROPEAN DIRECTIVES AND OTHER COUNTRY REGULATIONS AS DESCRIBED IN GS-22-008.
10. THE HOUSING WILL WITH STAND EXPOSURE TO 260°C PEAK TEMPERATURE FOR 10 SECONDS IN A WAVE SOLDER APPLICATION.

spec ref *		dr Rick Bian		2010/07/08		projection		size A4		scale 0.500	
tolerance std		eng Nickor Zuo		2011/11/30				mm		ecn no ELX-DG-008280-1	
-		chr Jian Huang		2011/12/02						rel level Released	
-		appr Pei-Ming Zheng		2011/12/02		product family		10005639		rev X	
surface ✓		linear				title		DDRII 240P V/T DDRII 240P METAL CLIP ASS'Y		www.fci.com	
		angular		cat. no.		Product - Customer Drw		sheet 4 of 4			