

MODEL:

# SR12UBEXPNDKD

## SmartRack® 12U Standard-Depth 4-Post Open Frame Rack



12 Rack Units



1,000 lb.  
Stationary  
Load Rating



2 In. Casters



Accommodates  
Standard  
19 In.  
Equipment



Toolless  
Mounting Slots



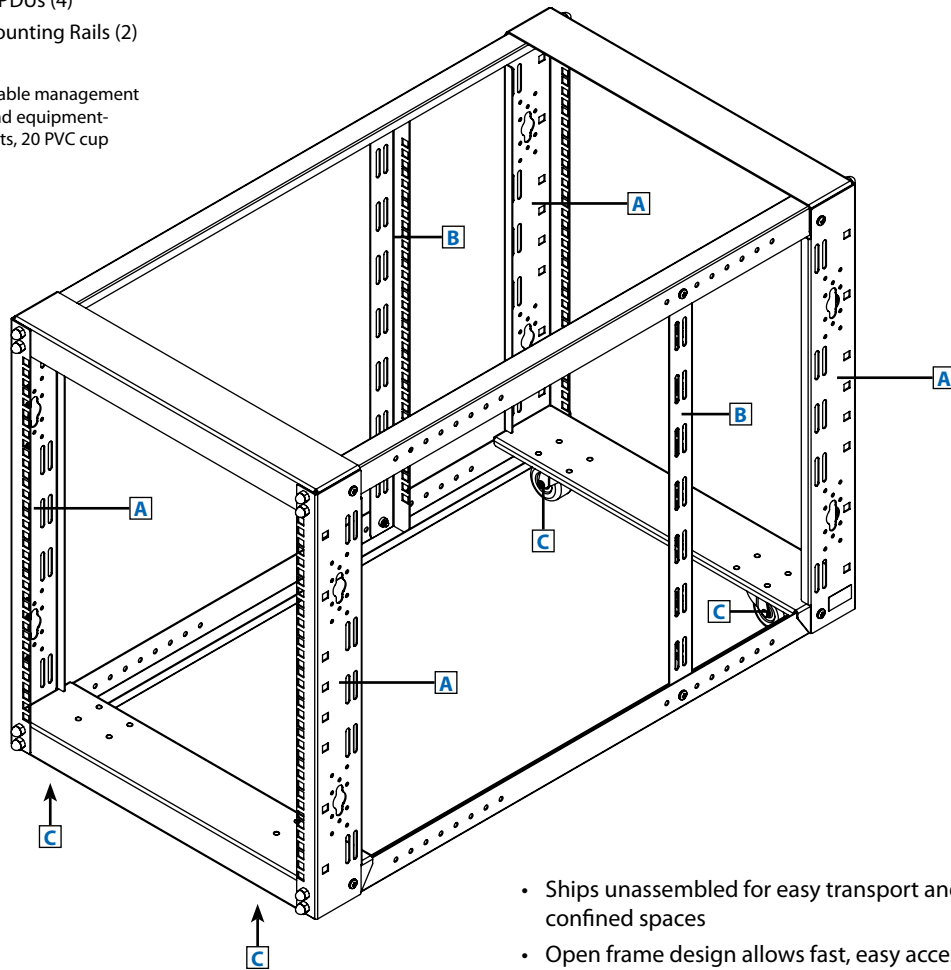
Adjustable  
Rails



Square Hole  
Mounting

- A** Vertical Mounting Rails with Toolless Mounting Slots for PDUs (4)
- B** Adjustable Side Support/Mounting Rails (2)
- C** Casters (4)

Also includes: Owner's manual, 10 cable management hooks, 10 hook-mounting screws and equipment-mounting hardware (20 M6 cage nuts, 20 PVC cup washers, 20 M6 screws)



- Ships unassembled for easy transport and assembly in confined spaces
- Open frame design allows fast, easy access for organizing, installing and servicing equipment and cabling
- Included cable management hooks secure equipment to the rack frame to help eliminate cable stress
- Recommended for installing network switches, routers, patch panels and audio/video components in secure IT areas with limited floor space

### Specifications

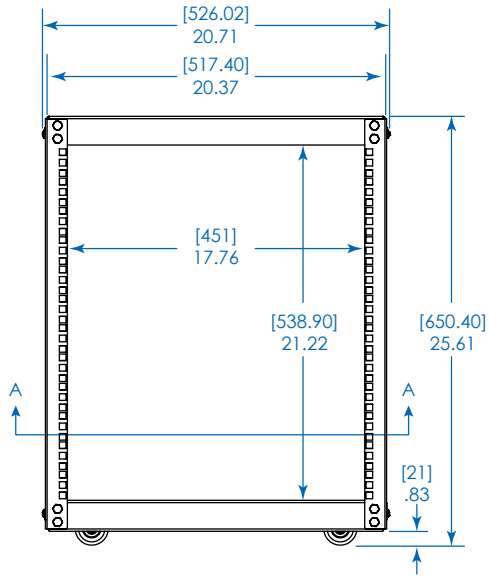
Model	SR12UBEXPNDKD
Rack Spaces	12U
Stationary Load Capacity	1000 lb. (454 kg)
Unit Dimensions (H x W x D)	25.6 x 20.7 x 37.1 in. (650 x 526 x 942 mm)
Shipping Dimensions (H x W x D)	3.89 x 8.41 x 42.86 in. (99 x 214 x 1089 mm)
Unit Weight	45 lb. (20 kg)
Shipping Weight	55 lb. (25 kg)
Standards	Tested to RoHS, EIA/ECA-310-E, IEC 60297-3-100, GOST



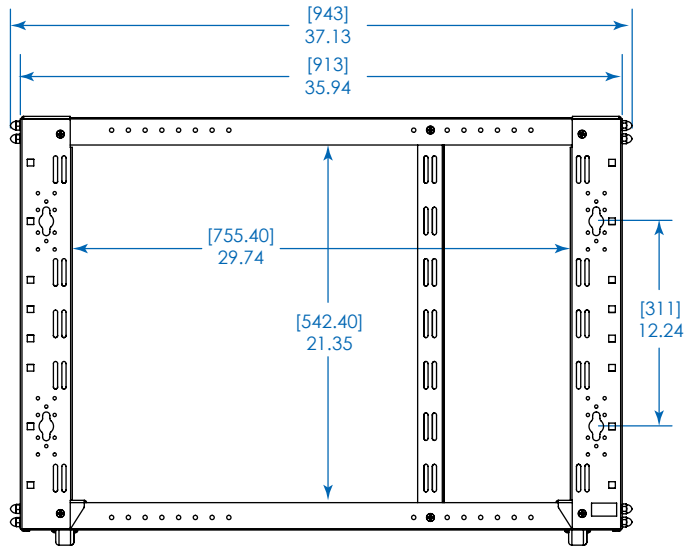
SEE NEXT PAGE FOR DETAILED UNIT MEASUREMENTS



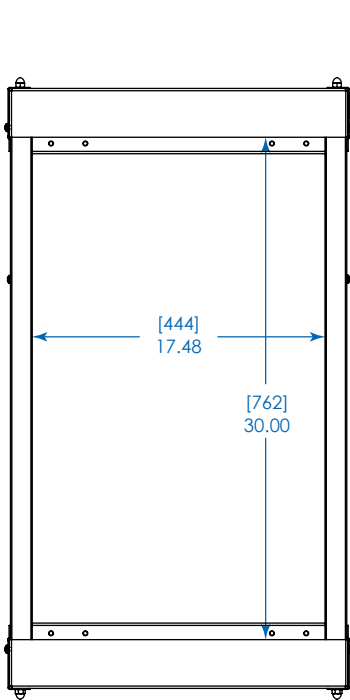
1111 W. 35th Street  
Chicago, IL 60609 USA  
773.869.1234  
www.triplite.com



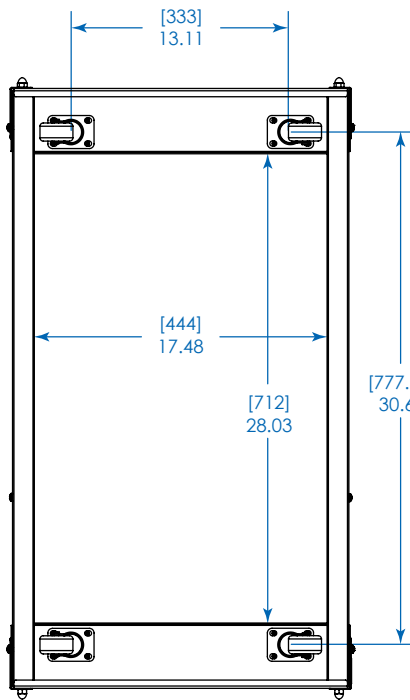
FRONT/REAR VIEW



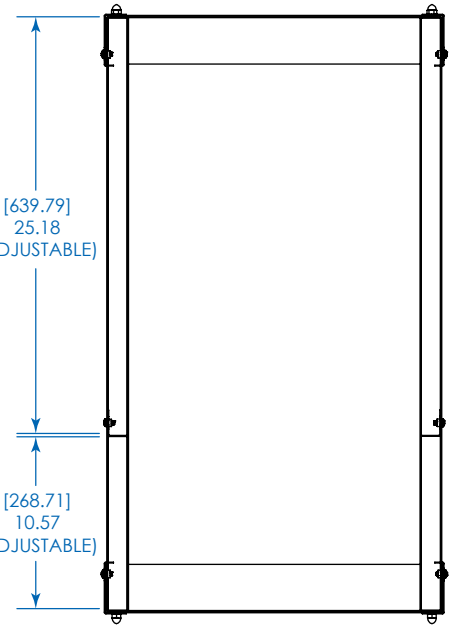
SIDE VIEW



TOP VIEW



BOTTOM VIEW



CROSS SECTION A

Dimensions: [mm] INCHES

Tripp Lite has a policy of continuous improvement. Specifications are subject to change without notice.

MODEL:  
**SR12UBEXPNDKD**



1111 W. 35th Street  
Chicago, IL 60609 USA  
773.869.1234  
www.triplite.com