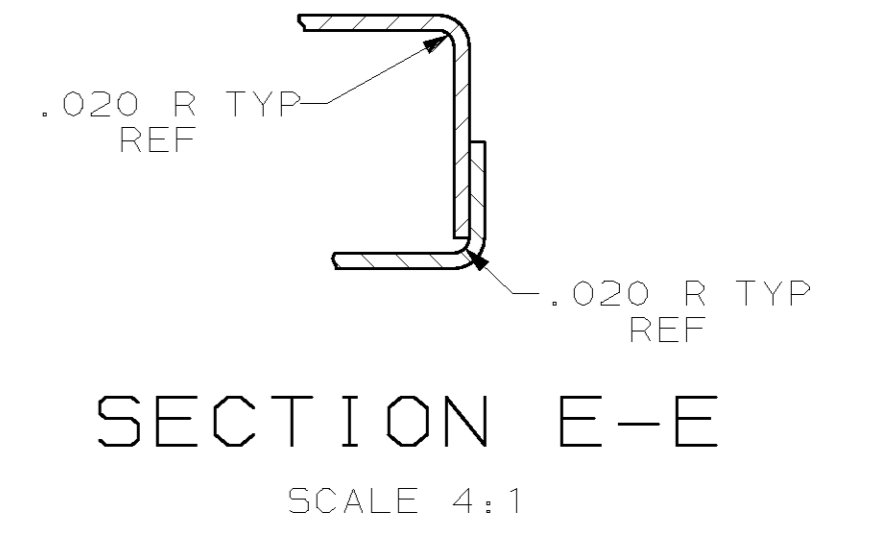
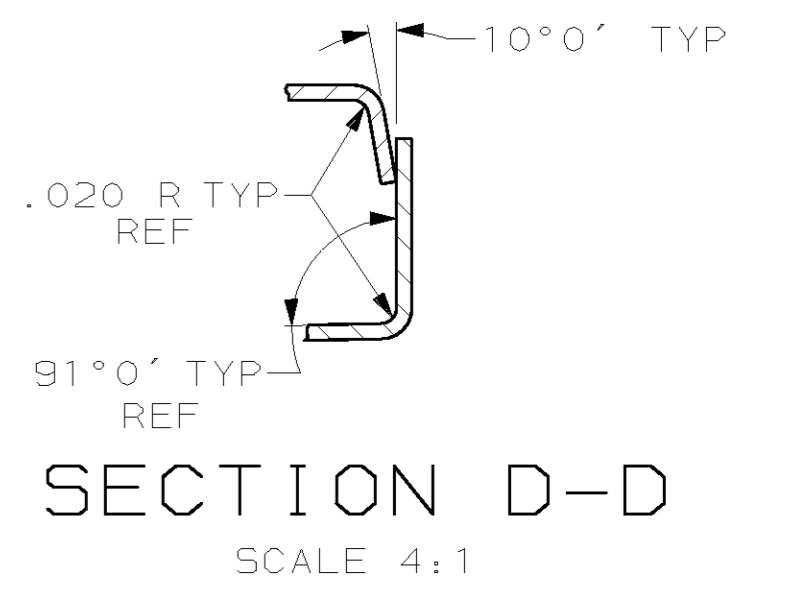
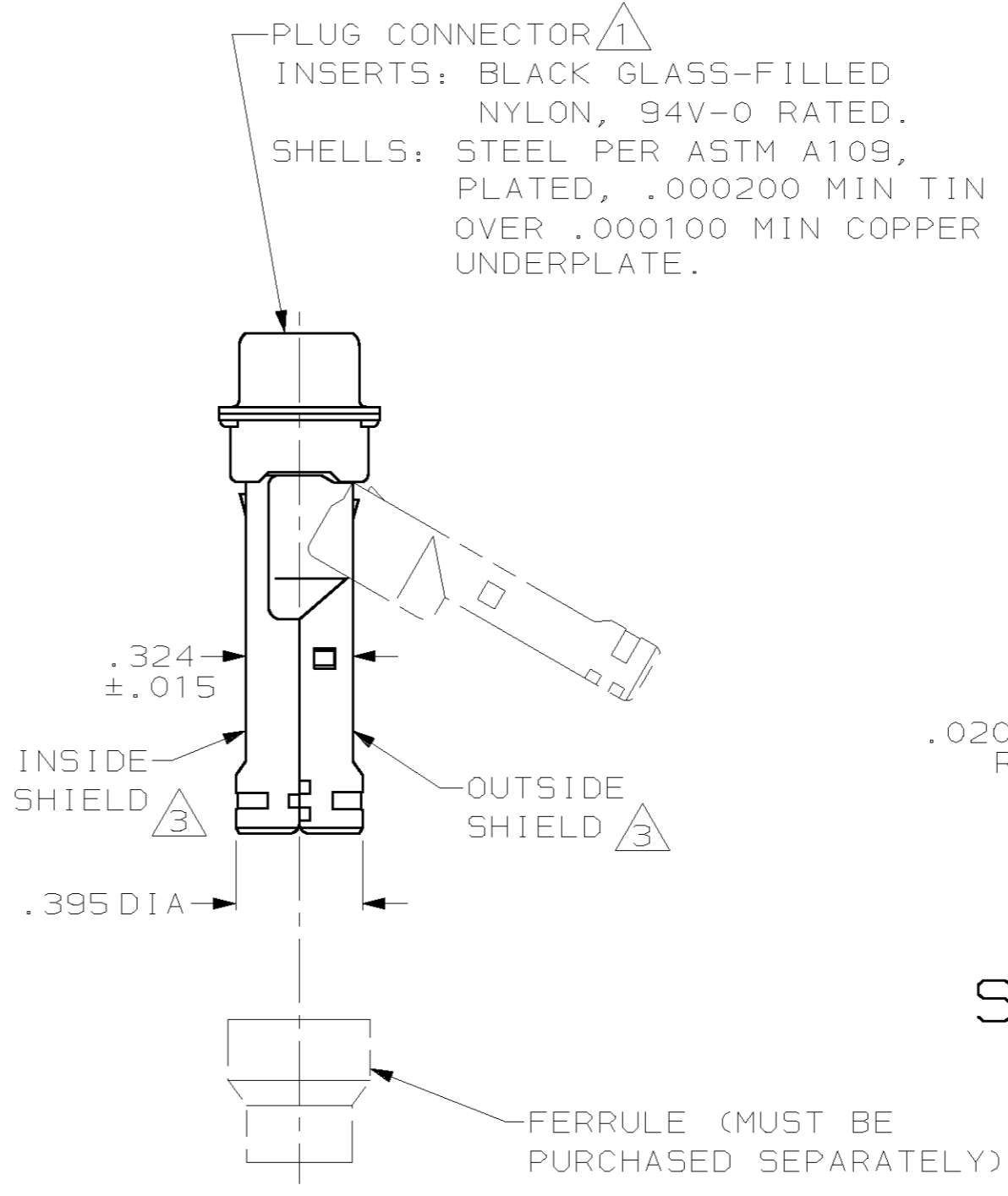
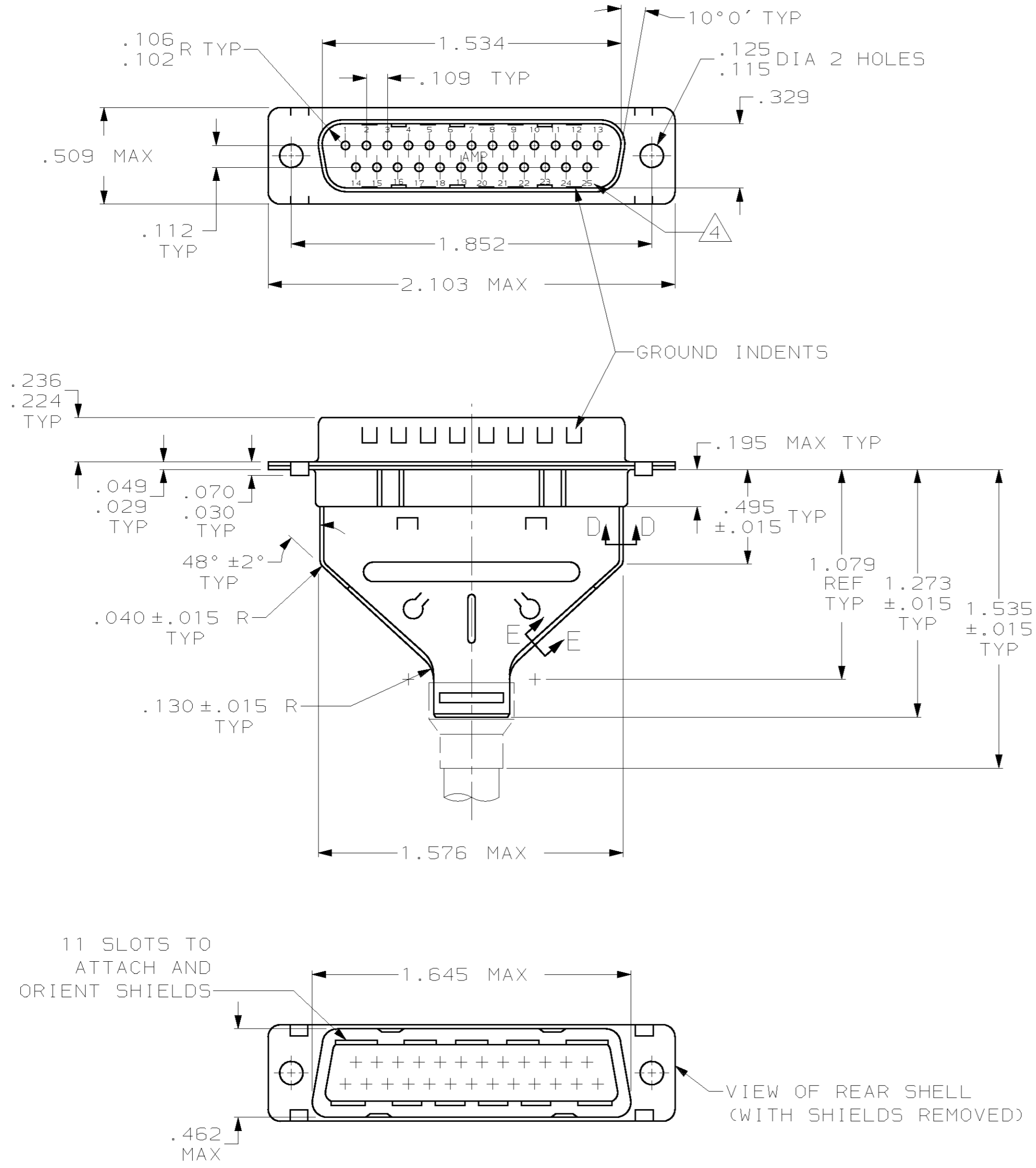


THIS DRAWING IS UNPUBLISHED. RELEASED FOR PUBLICATION
 (C) COPYRIGHT 19 BY AMP INCORPORATED. ALL RIGHTS RESERVED.

LOC	DIST	REVISIONS			
P	LTR	DESCRIPTION	DATE	DWN	APVD
GP	00	0	RELEASED PER EC 0513-0196-03	30JUL03	JR JG



- 1 PLUG ACCEPTS SIZE 20 PIN CONTACTS (CONTACTS MUST BE ORDERED SEPARATELY).
- 2. ALL PARTS SHIPPED UNASSEMBLED, EACH PART INDIVIDUALLY BULK PACKED.
- 3 SHIELDS: MATERIAL-.020 THICK STEEL, PER ASTM A109, PLATED .000200 MIN TIN OVER .000100 MIN COPPER UNDERPLATE.
- 4 RAISED CAVITY IDENTIFICATION AND AMP TRADEMARK.

1658648-1
 PART NUMBER

THIS DRAWING IS A CONTROLLED DOCUMENT.		DWN	J.REITZEL	30JUL03	AMP Incorporated Harrisburg, PA 17105-3608	
DIMENSIONS: INCH		CHK	S.BOLASH	30JUL03		
TOLERANCES UNLESS OTHERWISE SPECIFIED:		APVD	M.WALMSLEY	30JUL03		
0 PLC ±- 1 PLC ±- 2 PLC ±- 3 PLC ±.005 4 PLC ±- ANGLES ±0°30'		NAME	KIT, PLUG, SHIELDING HARDWARE, SIZE 3, 25 POSITION, AMPLIMITE™ HDP-20			
MATERIAL SEE CALL OUT & NOTE 3		PRODUCT SPEC	108-40030		SIZE	A2
FINISH SEE CALL OUT & NOTE 3		APPLICATION SPEC	114-40030		CAGE CODE	00779
		WEIGHT	-		DRAWING NO	1658648
		CUSTOMER DRAWING			RESTRICTED TO	-
		SCALE	2:1		SHEET	1 OF 1
		REV	0			