

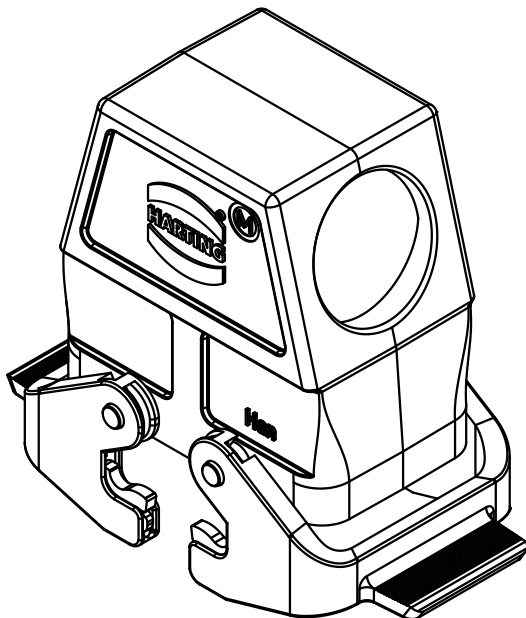
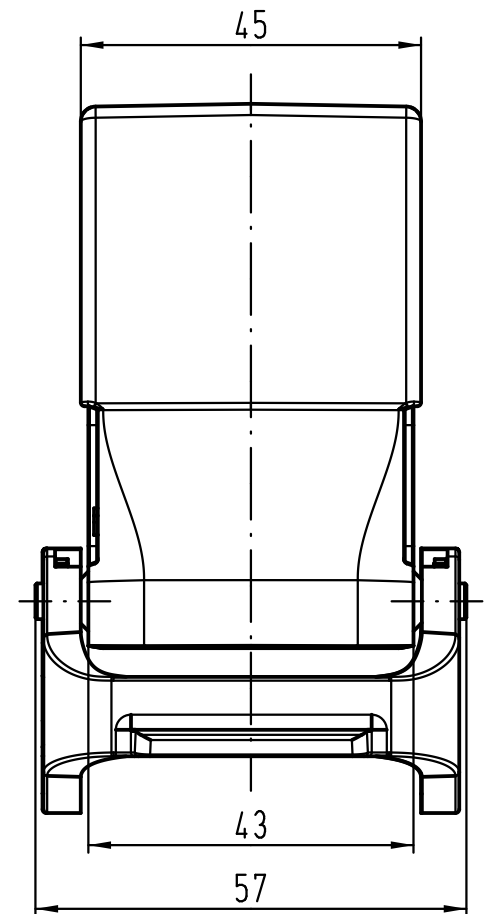
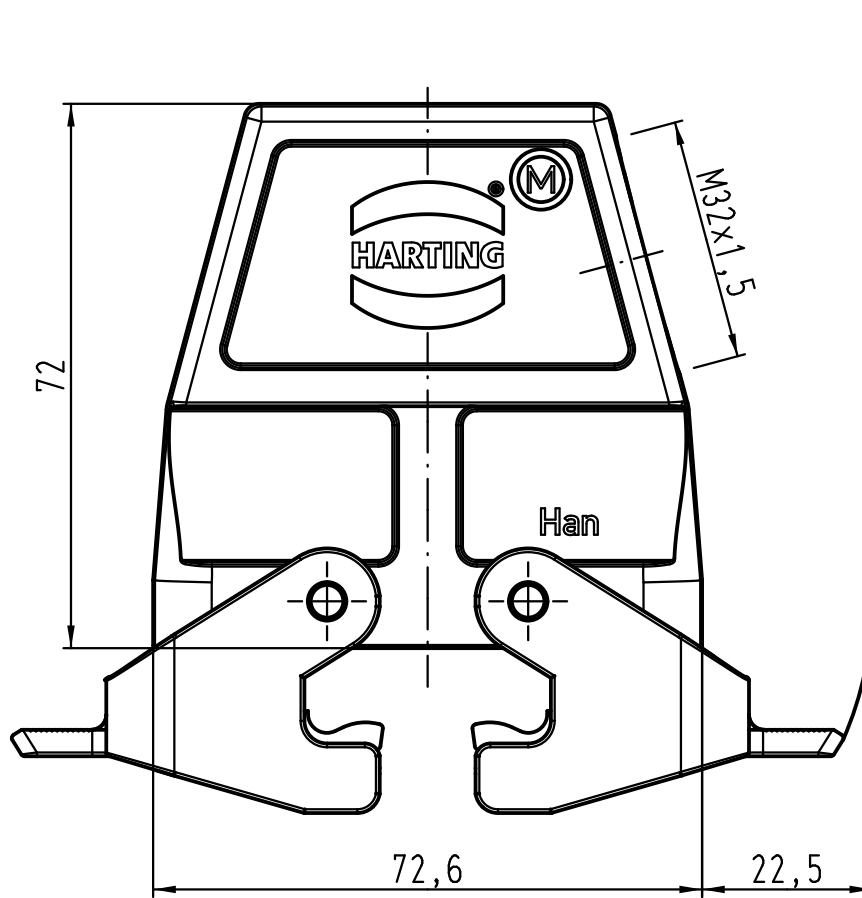
1 2 3 4 5 6

A

B

C

D



| | | | | | | | | | | |
|---|----------|------|---|----------|------|--|--|--|--|----------------|
| All Dimensions in mm Original Size DIN A 4 | | | Techn. Character. | | | Nicht tolerierte Maße/Free size tolerances | | | | |
| | | | | Dat. | Name | Maßstab/Scale 1:1 | Han 10B-gs-QB-M32 Gehäuse/hood | | | |
| | | | Detail. | 19.02.09 | ML | | | | | |
| | | | Insp. | | Sch | | | | | |
| | | | Stand. | | | | | | | |
| B | 19.03.12 | Ho | HARTING Electric GmbH & Co. KG D-32339 Espelkamp | | | | TB 19 30 010 0537 | | | |
| A | | | | | | | | | | |
| Mod. | Dat. | Name | | | | | | | | |
| | | | | | | | Sub. TB 19 30 010 0537 v. 22.11.00 | | | Blatt/page |