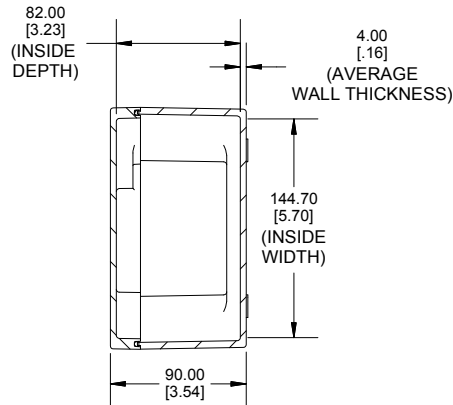
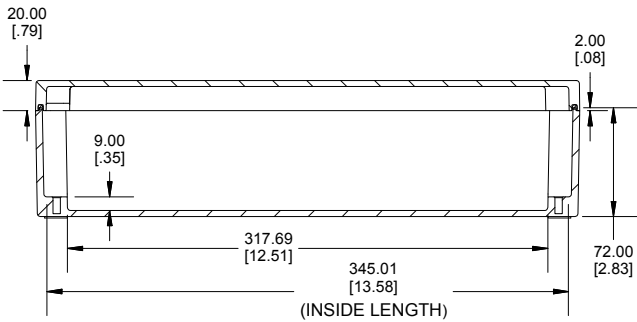


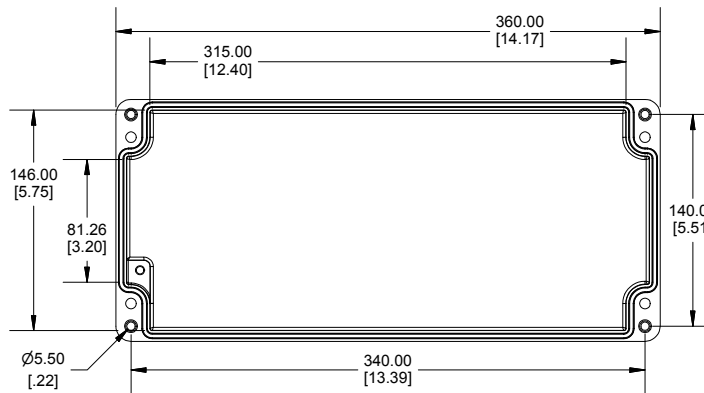
**TOP VIEW**



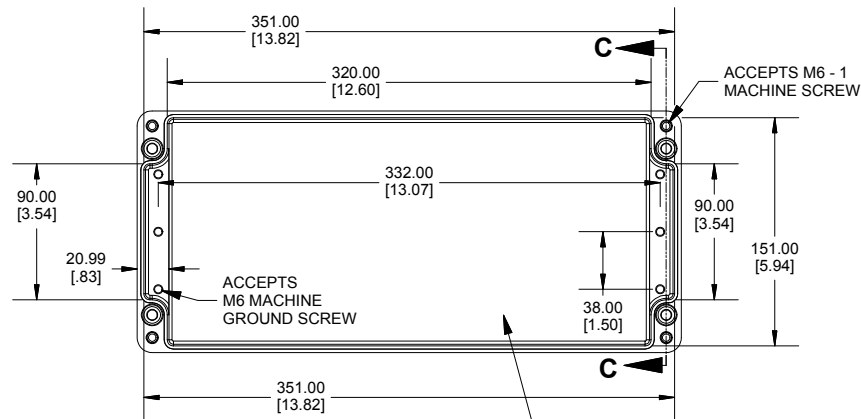
**SECTION A-A  
END VIEW**



**SECTION B-B  
SIDE VIEW**

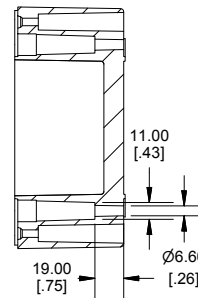


**INSIDE LID**



**INSIDE BOX**

DRAWINGS AVAILABLE FOR STEEL INNER PANEL



**SECTION C-C  
MOUNTING HOLE**

Dimensions:  
mm  
[inches]

**UL** US LISTED  
FILE #E65324  
NEMA 4, 4X, 6, 6P

Enclosures can be Factory Modified ( Milling, Drilling, Printing etc.)  
Contact Factory [mjm@hammondmfg.com](mailto:mjm@hammondmfg.com) for quotes  
Solid models of this enclosure available in STEP or IGES.  
(Part number and text placement/orientation on our products are subject to change, we do not recommend using them as a locating reference for modification purposes)

**NOTE**

Purchased assembly includes box, lid, silicone gasket, 4 cover screws and 4 ground screws with washers. Box and lid are made from Diecast Aluminum Alloy.

**Recommended cover screw Torque 15-17 lbf.in ( 150 -170 cN.m)**

<b>1590Z166</b>	
<b>1590Z166 Enclosure</b>	
Natural Enclosure	1590Z166
Black Enclosure	1590Z166BK
Grey Enclosure - RAL7001 Gloss	1590Z166GY
<b>ACCESSORIES</b>	
Steel Inner Panel	1590Z166PL
Pre-Formed Silicone Gasket (2 Pack)	1590Z166G
Copper Ground Hardware (20 Pack) [M6 - 1.0 X 10mm / M6 Washer]	SCGM6-20
Stainless Steel Cover screws (12 pkg) [M6 - 1.0 x 35mm]	SC564-12

**1590Z166**  
[www.hammondmfg.com](http://www.hammondmfg.com)