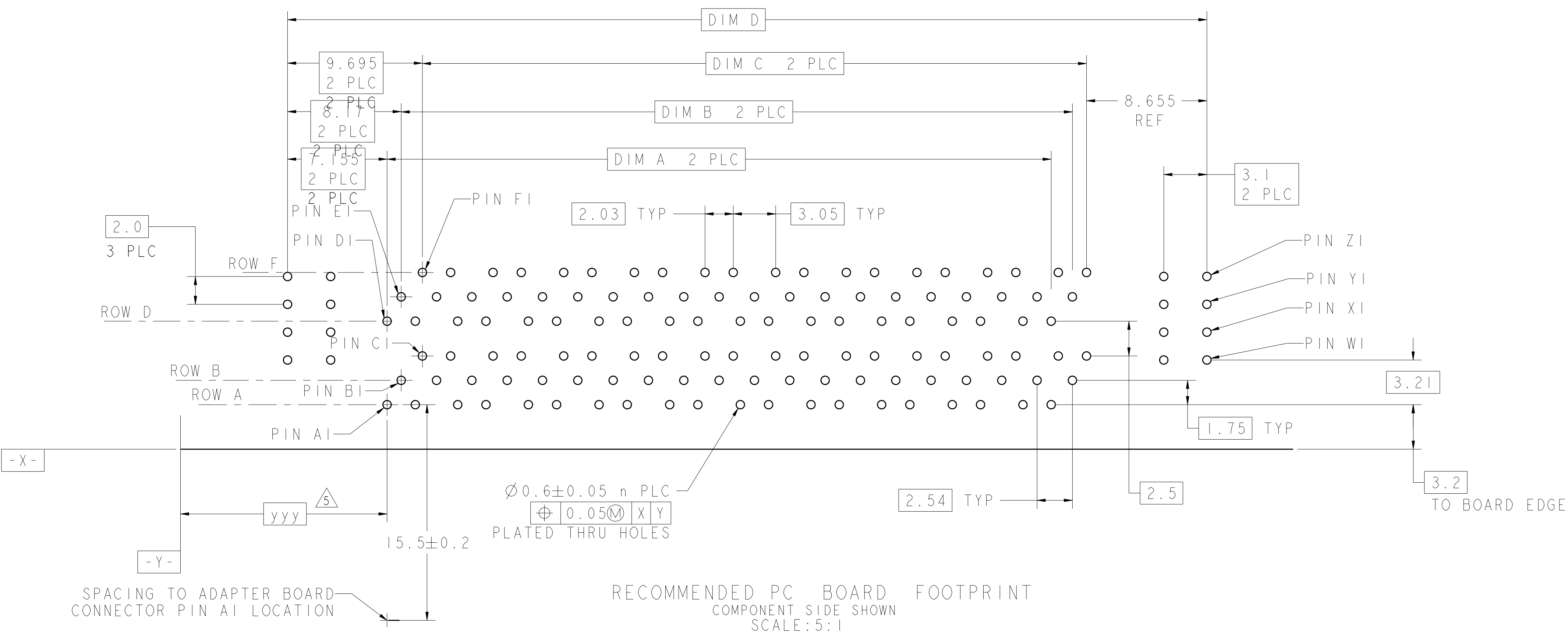
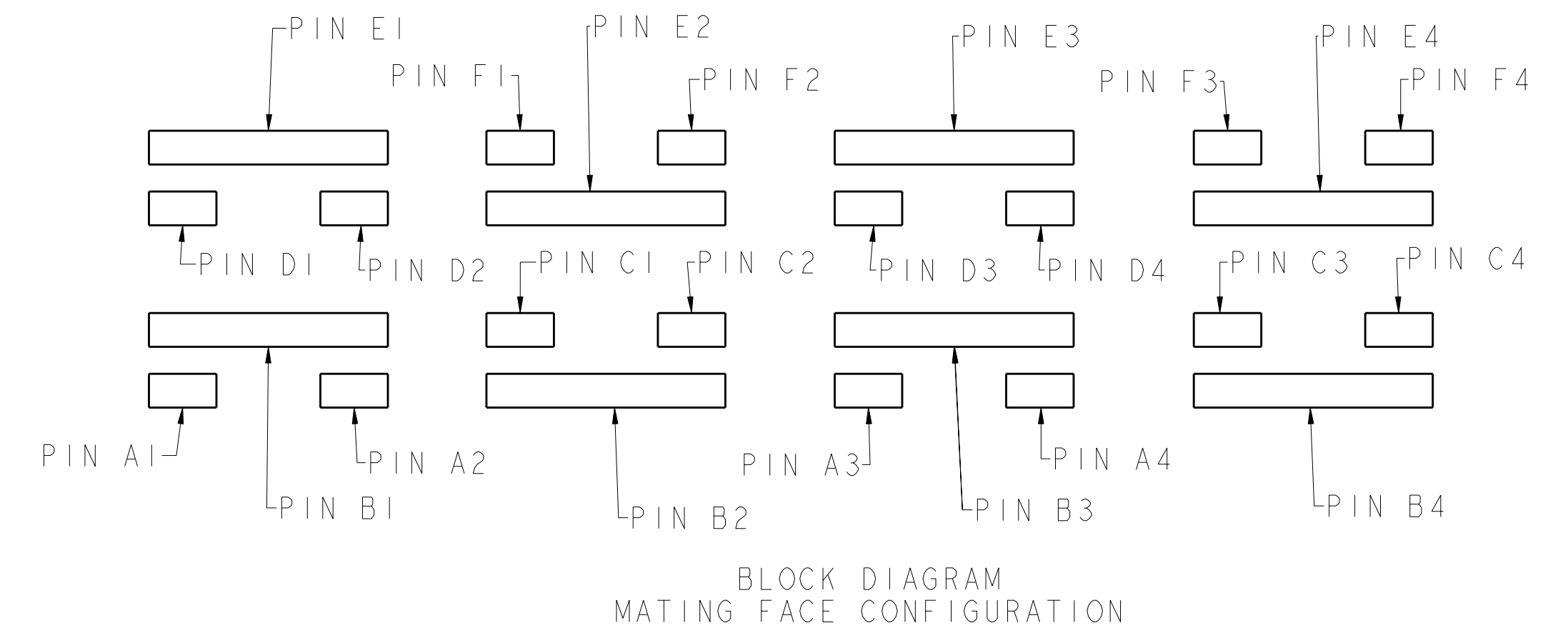
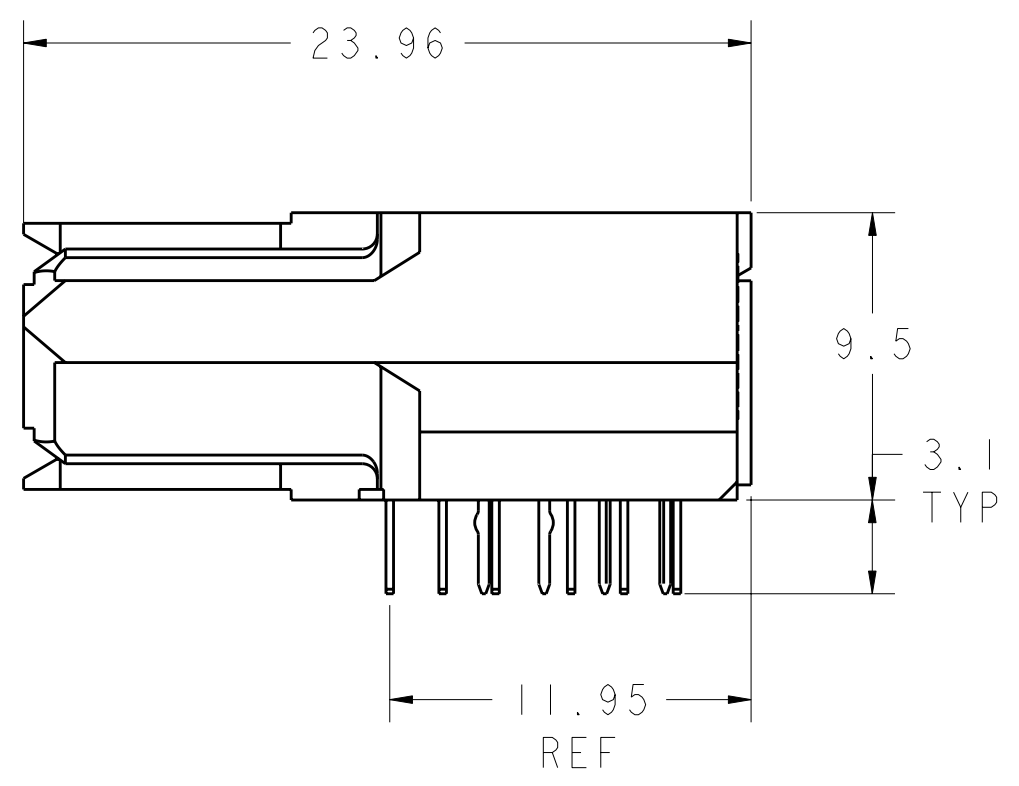
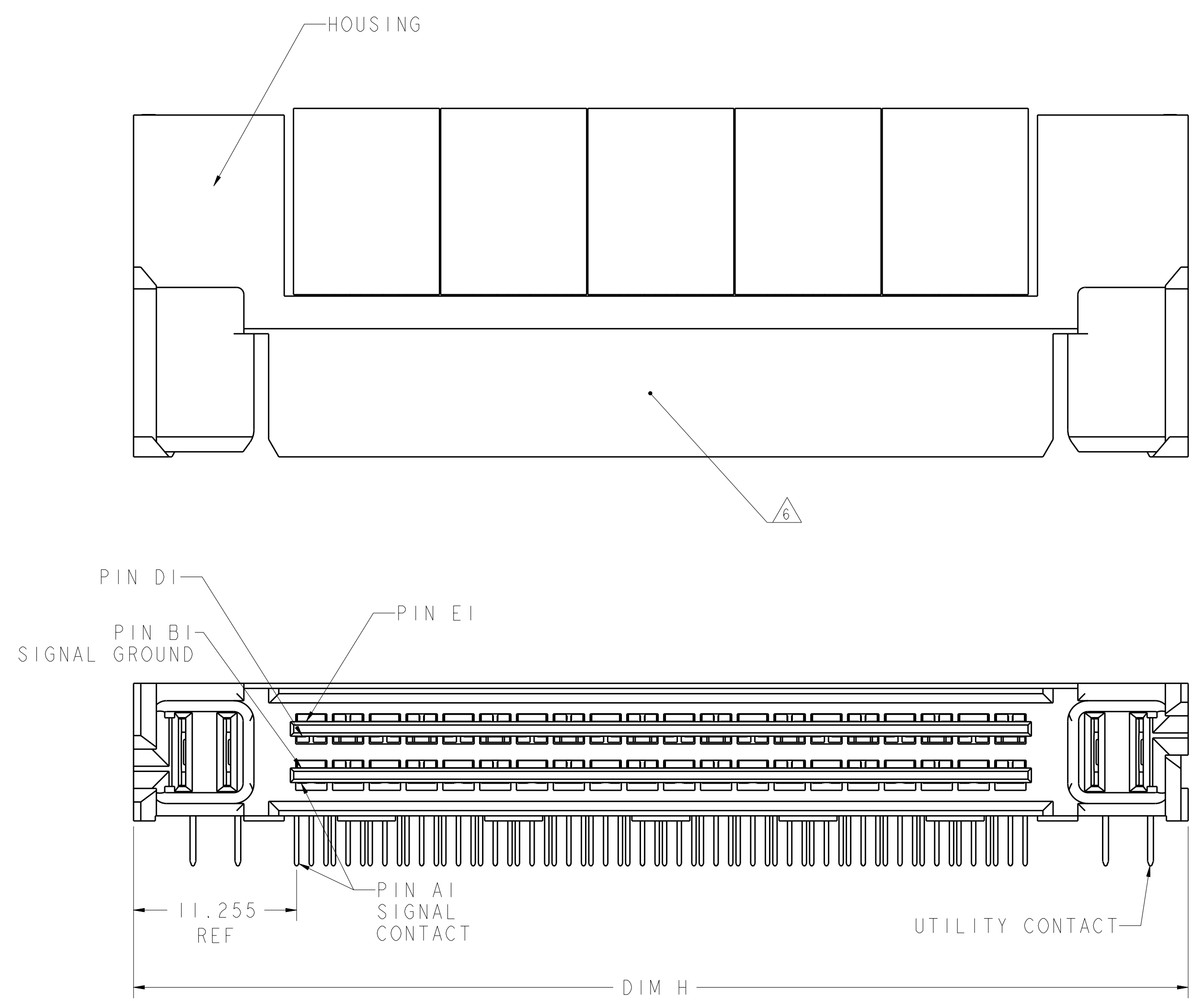


| LOC | DIST | REV | DATE      | BY  | APPD |
|-----|------|-----|-----------|-----|------|
| GP  | 00   | B   | 14DEC2010 | CJV | EJB  |

- △ HOUSINGS; POLYESTER, UL 94 V-0 RATED, NATURAL SIGNAL AND SIGNAL GROUND CONTACTS: COPPER ALLOY UTILITY CONTACTS: PHOSPHOR BRONZE
- △ UTILITY CONTACTS: 0.76um MIN GOLD IN CONTACT AREA, 2.54um MIN TIN ON PCB TAILS, OVER 1.27um MIN NICKEL OVER ALL. SIGNAL AND SIGNAL GROUND CONTACTS: 0.76um MIN GOLD IN CONTACT AREA, 2.54um MIN TIN ON PCB TAILS, OVER 1.27um MIN NICKEL OVER ALL.
- 3. ROWS A, C, D, AND F ARE SIGNAL CONTACTS. ROWS B AND E ARE SIGNAL GROUND CONTACTS.
- △ CONNECTOR SIZE CAN ACCOMMODATE INDICATED QUANTITY OF DIFFERENTIAL PAIRS.
- △ DIMENSIONS PER CUSTOMER BOARD LAYOUT.
- △ COMPANY LOGO IN APPROXIMATE AREA SHOWN.



| N   | H DIM  | D DIM  | B DIM | A OR C DIM | DIFF PAIRS △ | PART NUMBER |
|-----|--------|--------|-------|------------|--------------|-------------|
| 232 | 113.44 | 106.74 | 88.90 | 88.39      | 72           | 6367580-9   |
| 208 | 103.28 | 96.58  | 78.74 | 78.23      | 64           | 6367580-8   |
| 184 | 93.12  | 86.42  | 68.58 | 68.07      | 56           | 6367580-7   |
| 160 | 82.96  | 76.26  | 58.42 | 57.91      | 48           | 6367580-6   |
| 136 | 72.80  | 66.10  | 48.26 | 47.75      | 40           | 6367580-5   |
| 112 | 62.64  | 55.94  | 38.10 | 37.59      | 32           | 6367580-4   |
| 88  | 52.48  | 45.78  | 27.94 | 27.43      | 24           | 6367580-3   |
| 64  | 42.32  | 35.62  | 17.78 | 17.27      | 16           | 6367580-2   |
| 40  | 32.16  | 25.46  | 7.62  | 7.11       | 8            | 6367580-1   |

|                    |  |  |  |  |  |  |  |
|--------------------|--|--|--|--|--|--|--|
| DIMENSIONS: mm<br> |  | TOLERANCES UNLESS OTHERWISE SPECIFIED:<br>9 PLC ±<br>1 PLC ±0.3<br>2 PLC ±0.25<br>3 PLC ±<br>4 PLC ±<br>ANGLES ± |  | DWN: WM VAN SCOOC 27MAR05<br>CHK: N. REESER 27MAR05<br>APVD: N. REESER 27MAR05<br>PRODUCT SPEC: 108-1985<br>APPLICATION SPEC: 114-13068<br>WEIGHT: -<br>CUSTOMER DRAWING |  | Tyco Electronics<br>Harrisburg, PA 17105-3608<br>NAME: Z-DOK+ HOST BOARD CONNECTOR ASSEMBLY, 8-72 SIGNAL DIFF. PAIR, 2 UTILITY CONTACTS PER SIDE<br>SIZE: A11<br>CAGE CODE: 00779<br>DRAWING NO: 6367580<br>RESTRICTED TO: B |  |
|--------------------|--|--|--|--|--|--|--|