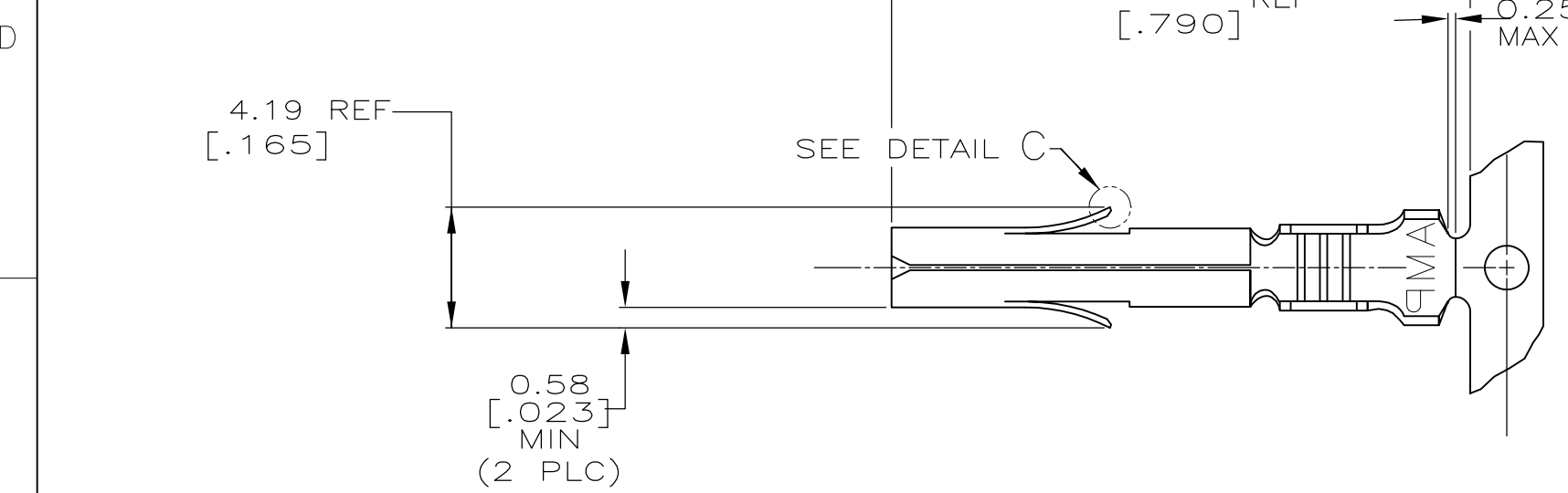
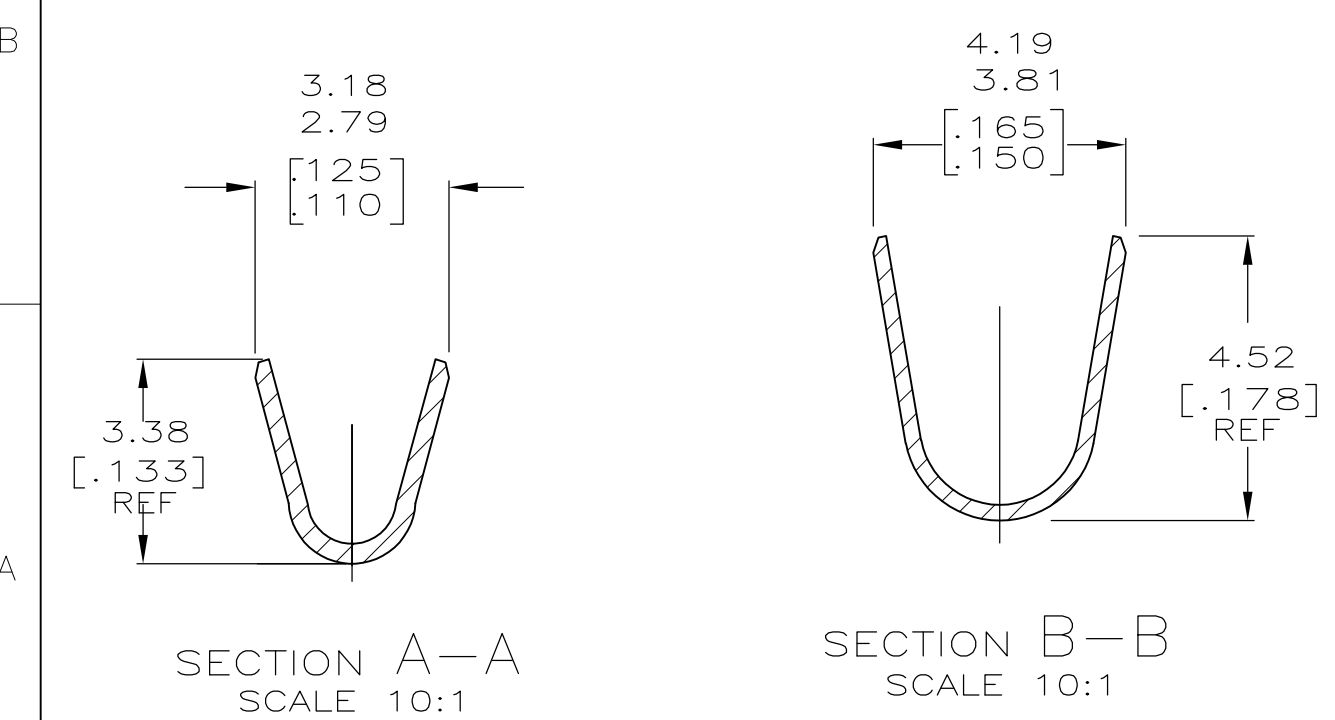
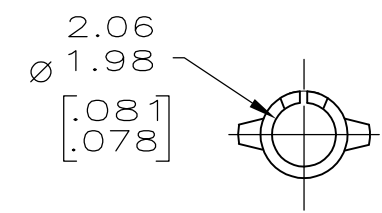
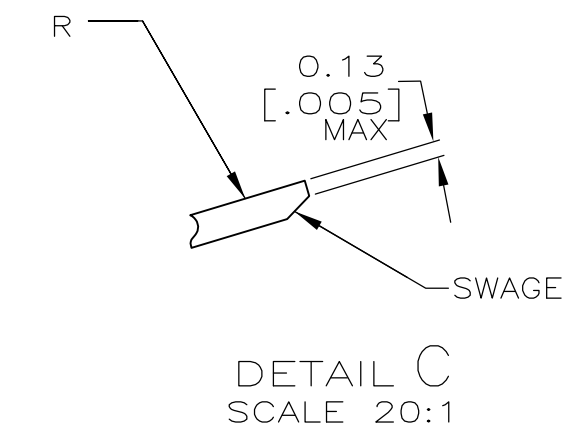
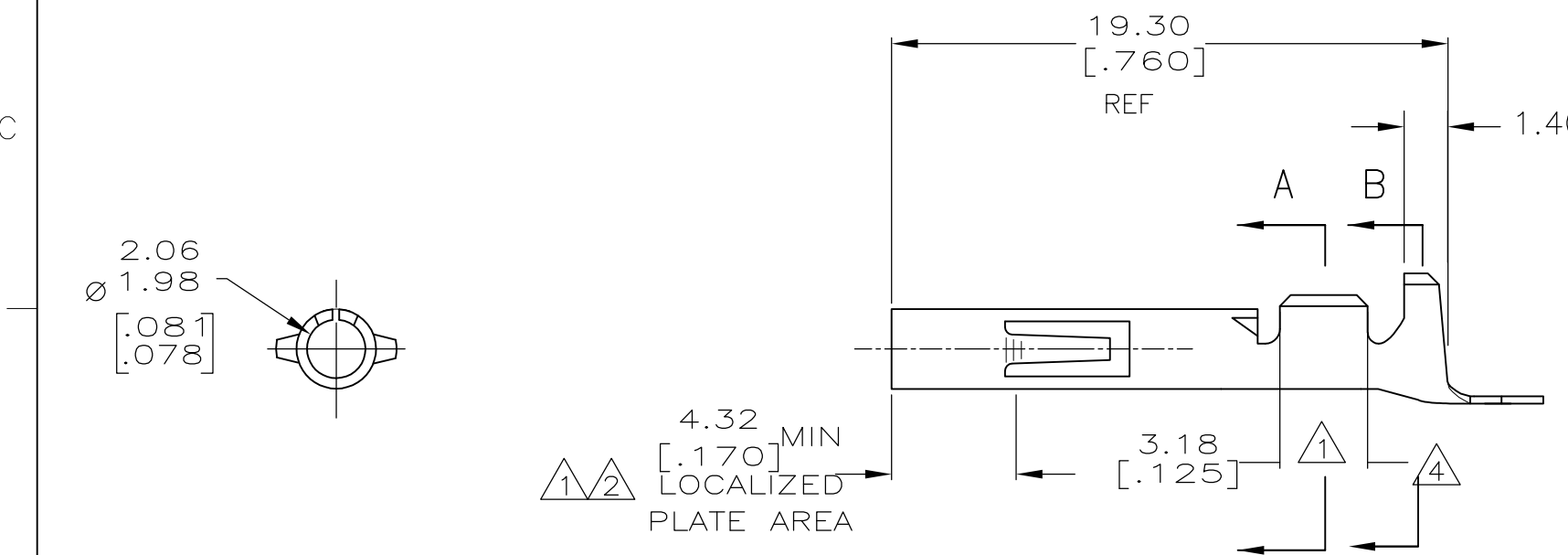


THIS DRAWING IS UNPUBLISHED. RELEASED FOR PUBLICATION
 © COPYRIGHT - By - ALL RIGHTS RESERVED.

LOC CM	DIST 00	REVISIONS			
P	LTR	DESCRIPTION	DATE	DWN	APVD
	AD	REVISED PER ECR-12-013323	09AUG12	KH	TM



- 1 0.00076[.000030] THK GOLD OVER NICKEL ON INSIDE OF RECEPTACLE AND WIRE BARREL; REMAINDER OF CONTACT IS NICKEL PLATED.
- 2 0.00076[.000030] THK GOLD ON INSIDE OF RECEPTACLE; REMAINDER OF CONTACT IS NICKEL PLATED.
- 3 DIMENSIONS IN BRACKETS ARE IN INCHES.
- 4 PRELIMINARY, NOT FOR PRODUCTION.
- 5 OBSOLETE PARTS: OBSOLETE CIS STREAMLINING PER D.RENAUD/D.SINISIA
- 6 INSULATION RANGE: 1.52-3.30 [.060-.130] DIA.



5 OBSOLETE	-	TIN	0.30 [.012] BE CU	1-350536-0
-	STANDARD	TIN	0.30 [.012] PH BZ	-350536-9-
350550-7	MINI	GOLD 2	0.30 [.012] BRASS	350536-7
350550-6	MINI	GOLD 2	0.30 [.012] PH BZ	350536-6
350550-3	MINI	TIN	0.30 [.012] PH BZ	350536-3
350550-2	MINI	GOLD 1	0.30 [.012] BRASS	350536-2
350550-1	MINI	TIN	0.30 [.012] BRASS	350536-1
LOOSE PIECE (REF)	APPLICATOR TYPE	FINISH	MATERIAL	PART NUMBER

THIS DRAWING IS A CONTROLLED DOCUMENT.

DWN K. WHITAKER 07NOV2003
 CHK S. RIDGILL 07-NOV-03
 APVD S. RIDGILL 07-NOV-03

STE TE Connectivity

SOCKET, UNIVERSAL MATE-N-LOK™

PRODUCT SPEC
 APPLICATION SPEC
 WEIGHT -

SIZE A3 CAGE CODE 00779 DRAWING NO C-350536 RESTRICTED TO -

CUSTOMER DRAWING SCALE 4:1 SHEET 1 OF 1 REV AD