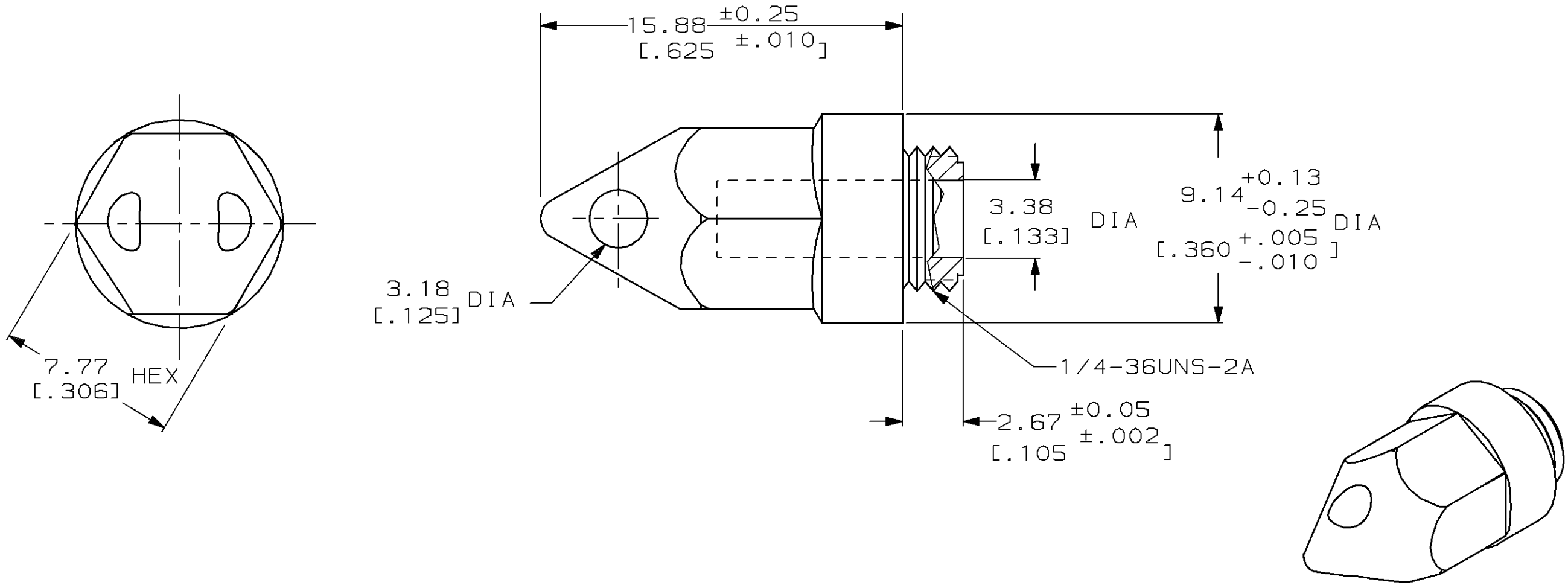


THIS DRAWING IS UNPUBLISHED. RELEASED FOR PUBLICATION, 19
 © COPYRIGHT 19 BY AMP INCORPORATED. ALL INTERNATIONAL RIGHTS RESERVED.

LOC	DIST	P	F	ZONE	LTR	DESCRIPTION	DATE	APPD
CE	16				A	REV PER 0A00-0121-95	3-20-95	DDE

1. DIMENSIONS IN [] ARE IN INCHES
2. BULK PACKAGED, 100 PCS



501350-2
PART NO

DO NOT SCALE PRINT. UNLESS SPECIFIED DIMENSIONS IN INCHES TOLERANCES ON: 2 PLC DEC ± 0.13 [.005] 3 PLC DEC ± - ANGLES ± -	DR 8-1-86 J ZEIDERS	AMP AMP INCORPORATED Harrisburg, Pa. 17105
	CHK 8-1-86 J GERACE	
	APPD 8-1-86 M BEARD	
	APPD 8-1-86 K MONROE	
MATERIAL THERMOPLASTIC	PRODUCT SPEC -	NAME BULLET, FSMA OPTIMATE
FINISH -	APPLICATION SPEC -	SIZE B FSCM NO 00779 DRAWING NO 501350 SCALE 5:1 SHEET 1 OF 1
	WEIGHT -	