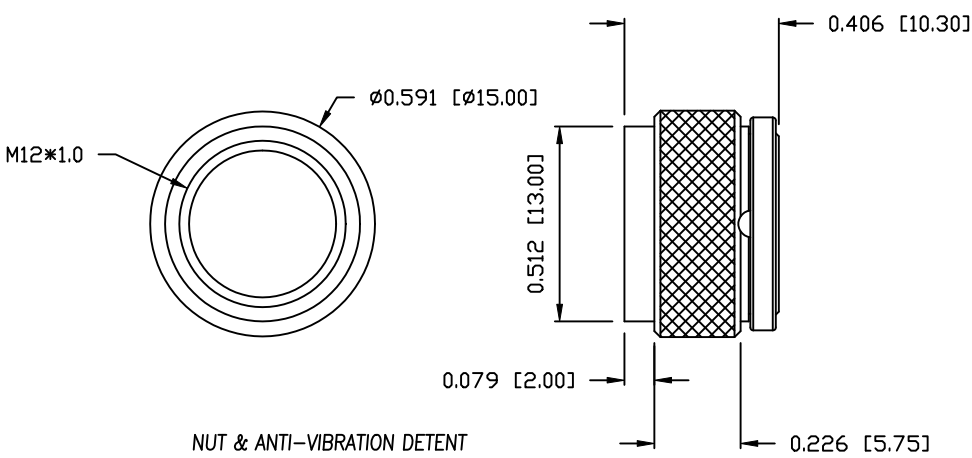
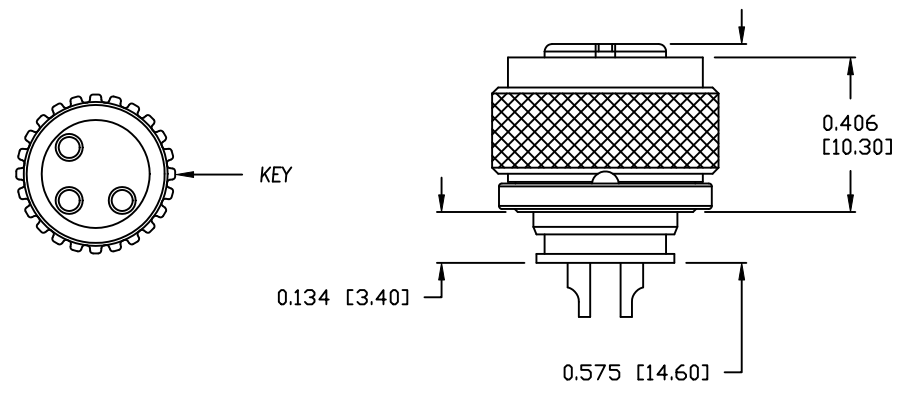
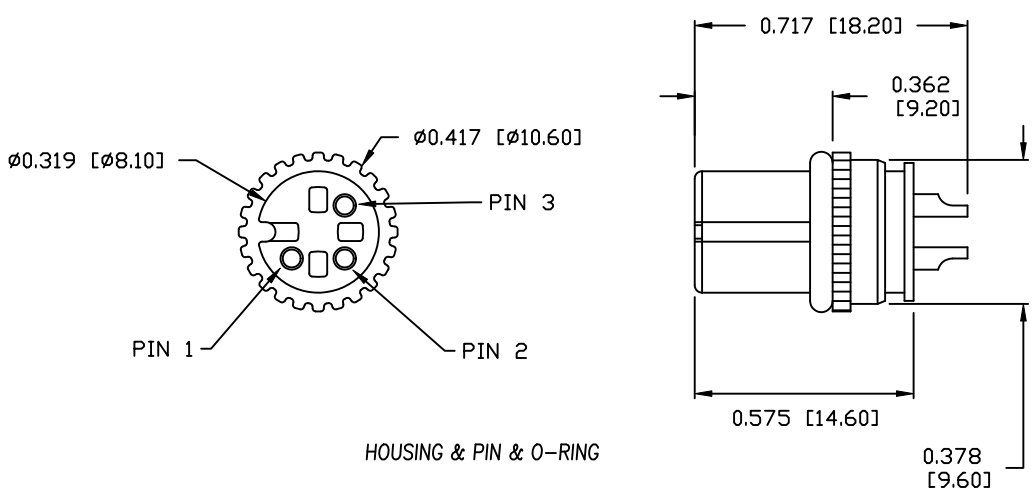


DESCRIPTION: M12 FEMALE - CABLE MOUNT - SOLDER CUP - 3 POS. - HIGH VIBRATION



NOTE:

MATERIAL	
HOUSING:	PA66 UL94V-0, BLACK
CONTACT:	BRASS
NUT:	BRASS
O-RING:	EPDM, BLACK
FINISH	
CONTACT:	10µ" GOLD OVER 50µ" NICKEL
NUT:	NICKEL PLATED 60µ" TO 100µ" OVER ALL
ELECTRICAL	
RATED CURRENT:	3A
RATED VOLTAGE:	125V
INSULATION RESISTANCE:	100 mΩhms MIN.
CONTACT RESISTANCE:	10 MΩhms MAX.
WATER PROOF:	IP67
ENVIRONMENT	
OPERATION TEMPERATURE:	-20°C TO +85°C
WIRE GAUGE:	24-28 AWG



RoHS COMPLIANT

DO NOT SCALE FROM DRAWING



THESE DRAWINGS AND SPECIFICATIONS ARE THE PROPERTY OF NorComp AND SHALL NOT BE REPRODUCED, COPIED OR USED AS THE BASIS FOR THE MANUFACTURE OR SALE OF APPARATUS WITHOUT WRITTEN PERMISSION.

DRAWN:	M. SIGMON	DATE:	08-04-16
CHECKED:		DATE:	

NorComp

SCALE:	N.T.S.	SHEET	1	OF	1	REV	1
DWG NO.	858VA03-203RLU4						