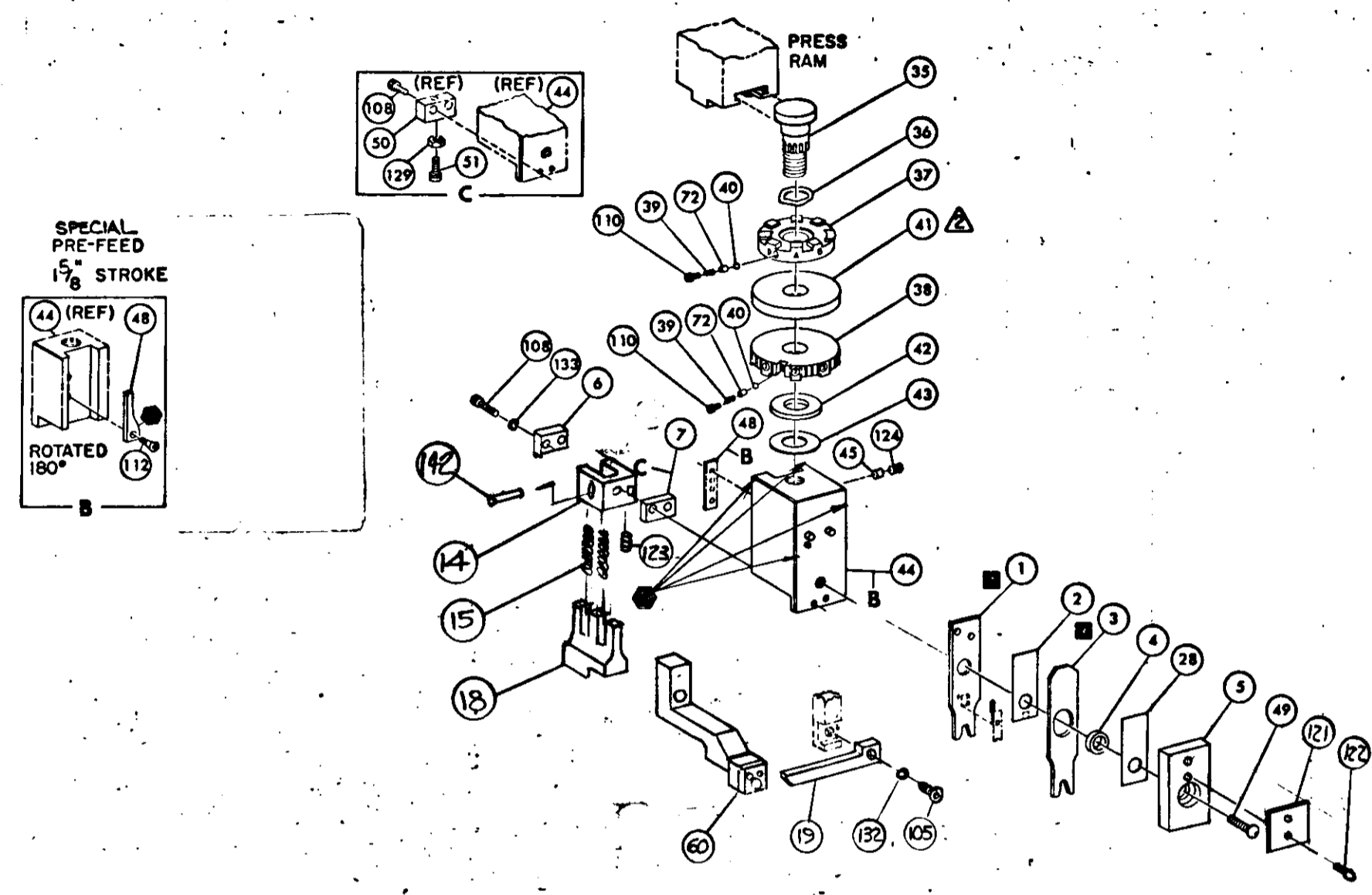


466916-1

THIS DRAWING IS A CONTROLLED DOCUMENT FOR AMP INC. IT IS SUBJECT TO CHANGE AND THE ENGINEERING ORGANIZATION SHOULD BE CONTACTED FOR THE LATEST REVISION.

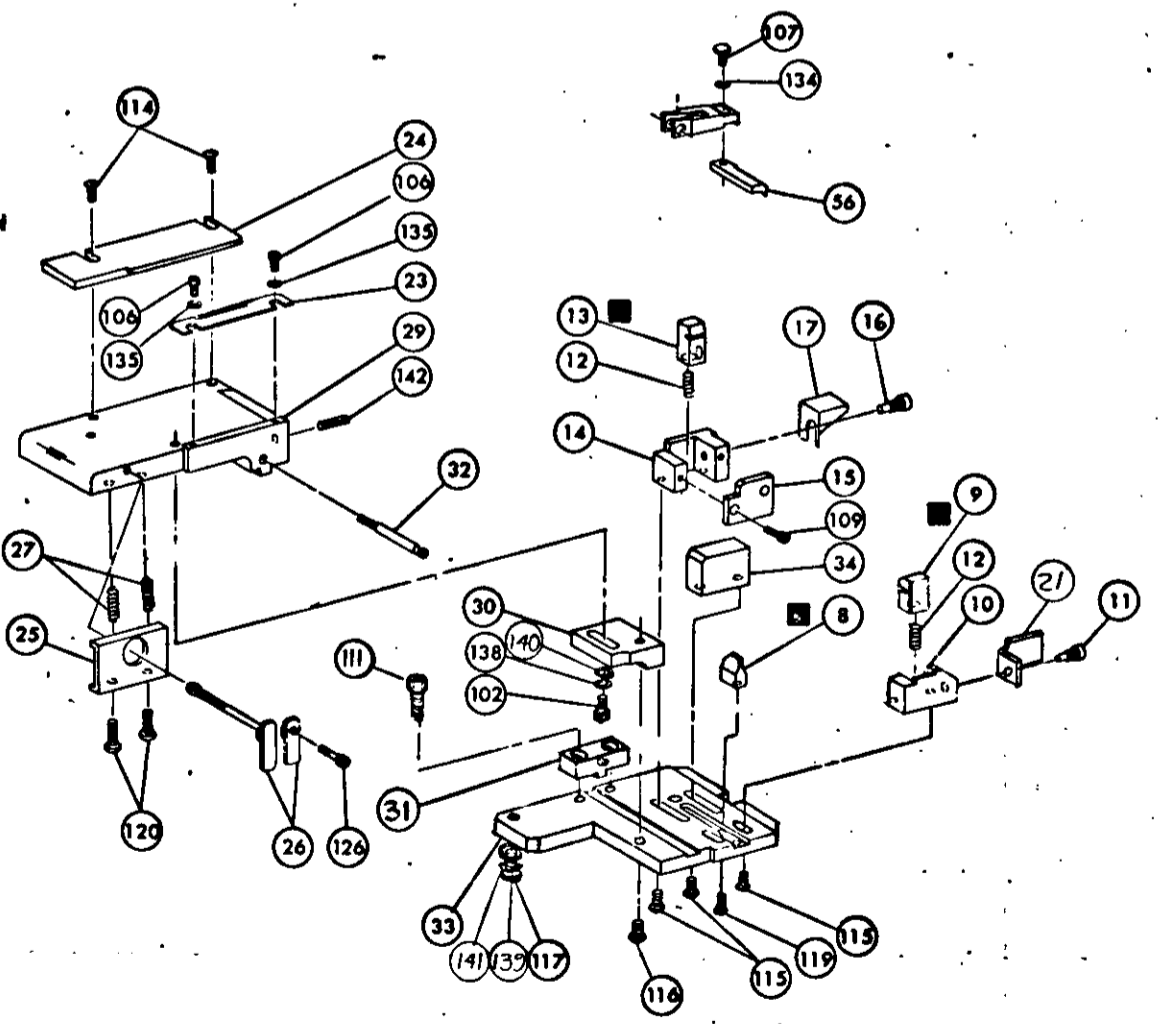


**NOTES:**

- L- ONLY THE ITEMS WITH QUANTITIES SPECIFIED ON PARTS LIST ARE USED ON THIS APPLICATOR
- △- USED IN PLACE OF ITEM 38 WHEN INSULATION CRIMP IS NOT USED.
- 3- FEED PIVOT- HOLE

**KEY:**

- ☐- RECOMMENDED SPARE PARTS CUSTOMER RESPONSIBLE FOR REPLACEMENT.
- 🛢- GREASE WEEKLY



QTY	PART NO	DESCRIPTION	ITEM NO	QTY	PART NO	DESCRIPTION	ITEM NO
2	4-21028-0	PIN, SLOT SPR (.093 DIA X .75) STR G PLATE	142	REF	634433-B	PAWL FEED	56
1	21899-2	WASHER, FLAT (NO 10) MOUNTING-	141				55
1	21899-2	WASHER, FLAT (NO 10) S. G. ADJ BLOCK	140				54
1	21024-5	WASHER, LOCK (NO 10) MOUNTING-	139				53
1	21024-5	WASHER, LOCK (NO 10) STRIP GUIDE ADJ BLOCK	138				52
			137				
			136			BUMPER, HOLDDOWN	51
2	21057-2	WASHER, LOCK (NO 4) FRONT STRIP GUIDE	135	1	7-21002-9	SPACER, TONKER	50
REF	21024-4	WASHER, LOCK (NO 8) FEED FINGER	134	1	690602-6	BOLT, CRIMPER (BUT. HD. 5/16-24 UNF X 1.00)	49
1	21024-4	WASHER, LOCK (NO 8) DEPRESSOR	133			CAM PRE FEED 1.6Z STROKE	48
FEF	21024-4	WASHER, LOCK (NO 8) STRIPPER	132				47
			131	1	690191-1	PLUG, NYLON	46
			130	1	455673-1	RAM	45
			129	1	690125-1	WASHER, LAMINATED	44
			128	1	690124-1	WASHER, RAM	43
			127			DISC, SPACER	42
			126	2	23241-6	BALL, STEEL	41
			125	2	690170-1	SPRING, COMPRESSION	40
1	21009-2	SCR, SKT SET (1/4-20 X .25) (LOC-WEL) RAM	124	1	690142-1	DISC, INSULATION	39
1	2-21008-1	SCR SKT SET (4-40 X .25) LOC-WEL HOLDDOWN	123	1	4-690141-1	DISC, WIRE	38
2	21012-2	SCR, DRIVE (*2 X .188 LG)	122	1	22480-5	WASHER, SPRING	37
1	819347-1	PLATE, I.D.	121	1	690212-1	POST, RAM	36
2	2-21002-9	SCR, BUT HD SKT CAP (10-32 X .75) DRAG	120	1	456059-1	SUPPORT, TERMINAL	35
1	22733-8	SCR, BUT HD SKT CAP (8-32 X .38) (LOC-WEL) ANVIL	119	1	462544-1	PLATE, BASE SPECIAL	34
			118	1	690432-3	SCREW, ADJUSTMENT	33
1	3-21000-9	SCR, SOC HD SKT CAP (10-32 X 1.00) MOUNTING	117	1	462543-1	BLOCK, SCREVV SPECIAL	32
1	2-22733-1	SCR, BUT HD SKT CAP (10-32 X .50) SG ADJ BLOCK	116	1	455689-1	BLOCK, STRIP GUIDE ADJ	31
4	22733-9	SCR, BUT HD SKT CAP (8-32 X .50) SHEAR	115	1	455671-1	BLOCK, STRIP GUIDE ADJ	30
2	2-21007-2	SCR, BUT HD SKT CAP (8-32 X .50) R STRIP GUIDE	114	1	455671-1	PLATE, STRIP GUIDE	29
			113	2	1-455888-0	SPACER, FRONT SHEAR DEPRESSOR	28
1	1-21002-7	SCR, BUT HD SKT CAP (6-32 X .50) CAM	112	1	1-22284-0	SPRING, DRAG	27
2	2-21000-7	SCR, SKT HD CAP (8-32 X .50) SCR. BLOCK	111	1	690546-1	LEVER, DRAG RELEASE	26
2	23030-1	SCR, SKT HD CAP (6-32 X .25) (LOC-WEL) CP DISC	110	1	240792-5	DRAG, STOCK	25
			109	1	5-690504-9	GUIDE STRIP (REAR)	24
2	3-21000-0	SCR, SKT HD CAP (8-32 X .50) DEPRESSOR (REAR)	108	1	690438-1	GUIDE, STRIP (FRONT)	23
REF	2-21002-1	SCR, BUT HD MACH (8-32 X .38) FEED FINGER	107	1	463756-1	GUIDE, SCRAP	22
2	1-21000-3	SCR, SKT HD CAP (4-40 X .25) F STRIP GUIDE	106				21
FEF	2-21002-1	SCR, BUT HD CAP (8-32 X .38) STRIPPER	105	REF	462615-1	STRIPPER	19
			104	1	456875-1	HOLDER, TERMINAL	18
			103			GUARD, CHIP (REAR)	17
1	3-22603-1	SCR, HEX HD CAP (10-32 X .38) SG ADJ BLOCK	102			STOP, SHEAR (REAR)	16
			101	2	3-22278-0	SPRING, HOLDDOWN	15
			79	1	455052-1	CARRIER, HOLDDOWN	14
			78	1	455053-1	PLATE, RETAINING	13
2	463310-7	BLADE, STRIPPING (*24)	77	1	5-22280-0	SPRING, SHEAR	12
			76	1	690461-2	STOP, SHEAR (FRONT)	11
			75	1	462548-1	HOLDER, SHEAR (FRONT) SPECIAL	10
			74	1	462547-1	SHEAR, FLOAT (FRONT) SPECIAL	9
2	690603-1	SPRING, ASSIST	73	1	2-690512-7	ANVIL	8
			72	1	240641-7	SPACER, DEPRESSOR (REAR)	7
			71			DEPRESSOR, SHEAR (REAR)	6
			70	1	462838-1	DEPRESSOR, SHEAR (FRONT) SPECIAL	5
			69	1	233011-6	SPACER, TUBULAR, INS CRIMPER	4
			68	1	5-456134-2	CRIMPER, INSULATION	3
			67	1	455888-5	SPACER, CRIMPER	2
			66	1	1-456402-6	CRIMPER, WIRE	1

QTY	PART NO	DESCRIPTION	ITEM NO
REF	816472-1	STOP WIRE	

REMARKS	NO	REV
APPL USED ON MACHINE PART NO	MACH SERIAL NO	DISTRIBUTION
CUSTOMER NAME	APPL SERIAL NO	ORIGINAL
ADDRESS	PURCHASE ORDER	CUSTOMER COPY
CITY	ENG APP	FIELD ENG COPY

CRIMPING DATA				APPLICATOR WILL APPLY	
PAD LTR	CRIMP HEIGHT	WIRE SIZE	WIRE LENGTH	PIN	SOC
A	NOT USED	USED		350694	350696
B	NOT USED	USED		350968	
C	.031	203E 24			
D	NOT USED	USED			

CRIMP	SIZE	TYPE	FEED	APPL INST
WIRE	065	F	.380	A1
INSUL	070	F	.380	A1

WIRE RANGE: 26-24 INSULATION RANGE: 025-055 PRESS NO: 463345-1

REMARKS: SIM 466352

ECN 0150-6101-95 466352 SET UP GAGE 10-1  
 ECN A-465888 466352 DR 10-10-10-10-10-10  
 ECN B-6696 466352 10-10-10-10-10-10  
 REV PER ECN 2034 466352 10-10-10-10-10-10  
 ADD 350968 2450 466352 10-10-10-10-10-10  
 KEY PEE 2031 466352 10-10-10-10-10-10  
 LV M X ECN 1885 466352 10-10-10-10-10-10

AMP INCORPORATED  
 HARTFORD, CT

AMP 2983-3 (8-73)