

THE INFORMATION CONTAINED HEREIN IS CONSIDERED "PROPRIETARY" TO BEL FUSE INC. AND SHALL NOT BE COPIED, REPRODUCED OR DISCLOSED WITHOUT THE WRITTEN APPROVAL OF BEL FUSE INC.

LED 1 POLARITY			LED 2 POLARITY		
PIN 13	PIN 14	COLOR	PIN 15	PIN 16	COLOR
+	-	ORANGE	+	-	ORANGE
-	+	GREEN	-	+	GREEN

PRELIMINARY



ELECTRICAL CHARACTERISTICS @ 25°C

URNS RATIO

TP1	1CT : 1CT
TP2	1CT : 1CT
TP3	1CT : 1CT
TP4	1CT : 1CT

INS. LOSS (MAX)

1MHz TO 20MHz	-0.8 dB
50MHz	-1.0 dB
200MHz	-1.2 dB
400MHz	-2.0 dB
500MHz	-3.0 dB

RET. LOSS (MIN)

1MHz - 40MHz	-16 dB
40MHz - 400 MHz	-16+10LOG (F/40) dB
400MHz - 500 MHz	-6+30LOG (F/400) dB

CM TO CM REJ

1MHz - 500MHz	-30 dB MIN
---------------	------------

CM TO DM REJ

1MHz - 500MHz	-30 dB MIN
---------------	------------

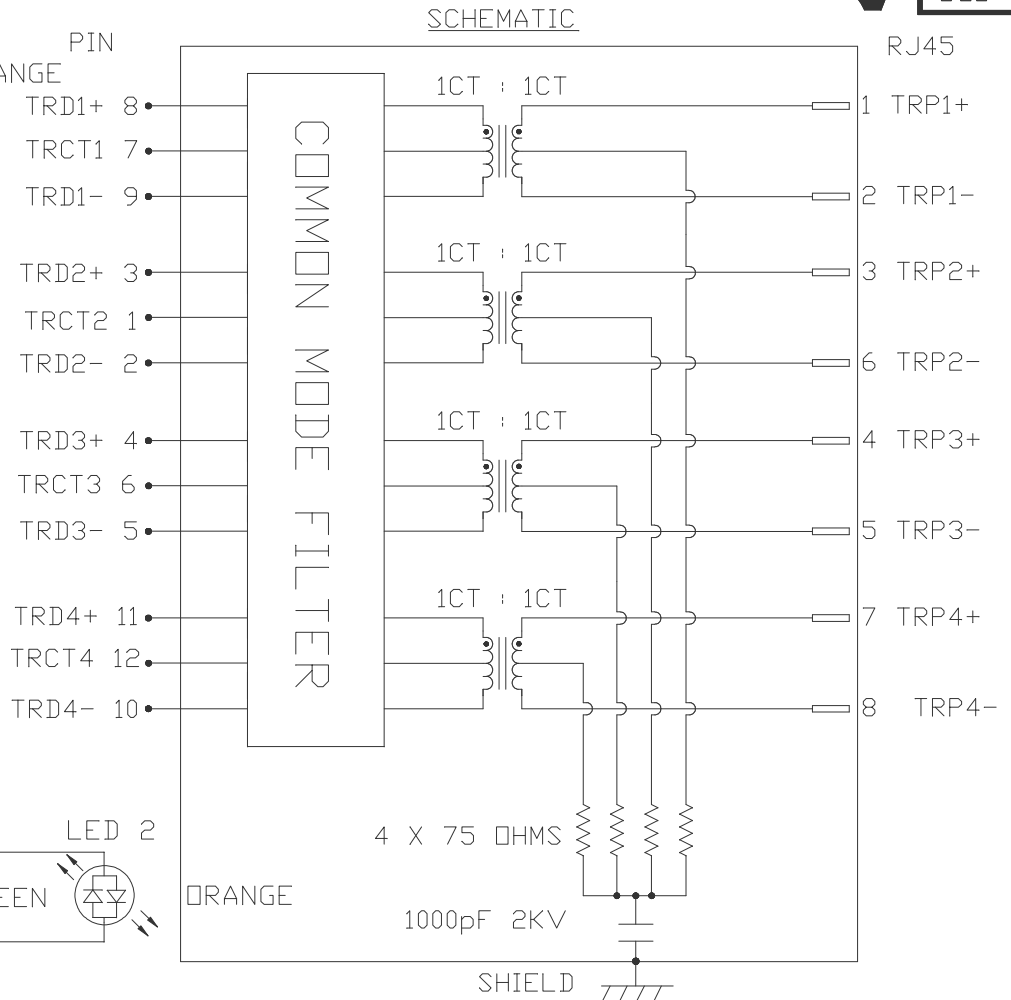
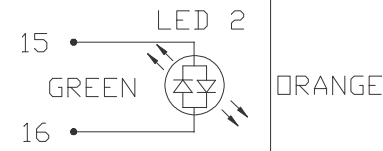
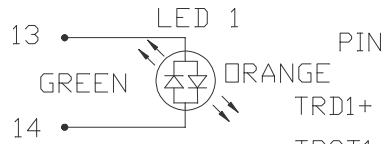
HIPOT (Isolation Voltage): 2250VDC

100% OF PRODUCTION TESTED TO COMPLY WITH IEEE 802.3 ISOLATION REQUIREMENTS.

LED1 AND LED2

VF (FORWARD VOLTAGE) IF=20mA	GREEN 2.2V TYP.
	ORANGE 2.0V TYP.
λD (DOMINANT WAVELENGTH) IF=20mA	GREEN 570nm TYP.
	ORANGE 605nm TYP.

OPERATING TEMPERATURE: 0°C TO +70°C.



ORIGINATED BY CHOW WANCHUNG
DATE 2017-06-20
DRAWN BY XIE YIMING
DATE 2017-06-20

TITLE 10 gigabit MagJack® G15-111T-076C PATENTED

PART NO. / DRAWING NO. G15-111T076C
FILE NAME G15-111T076C_PA.DWG

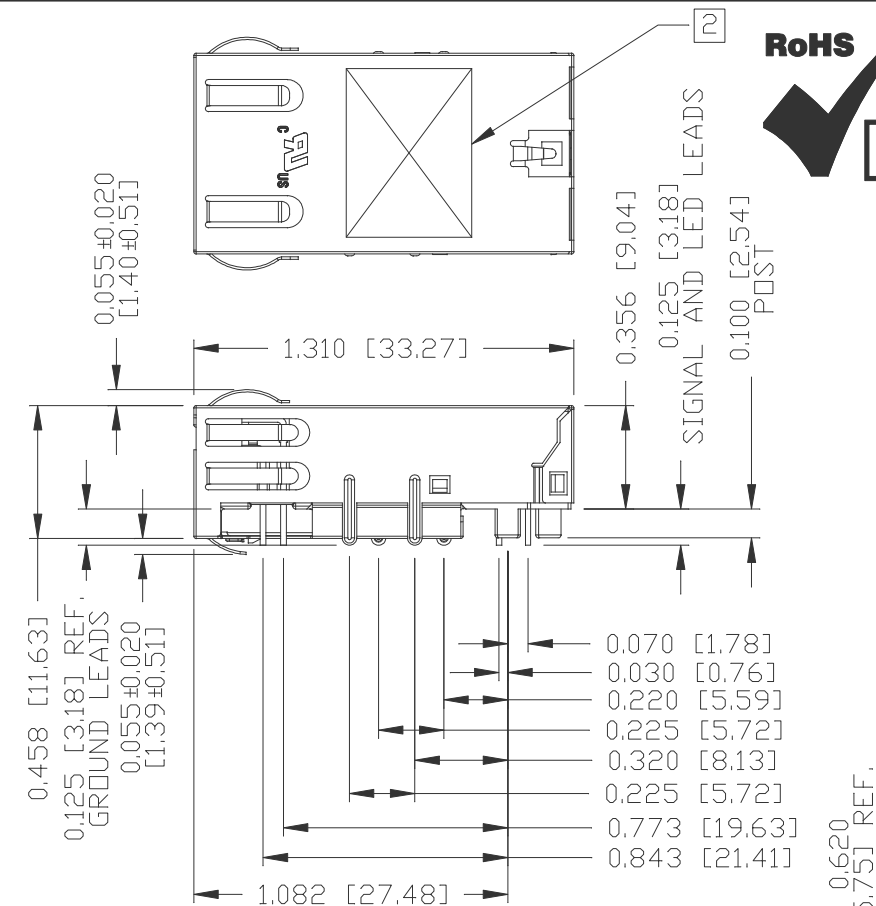
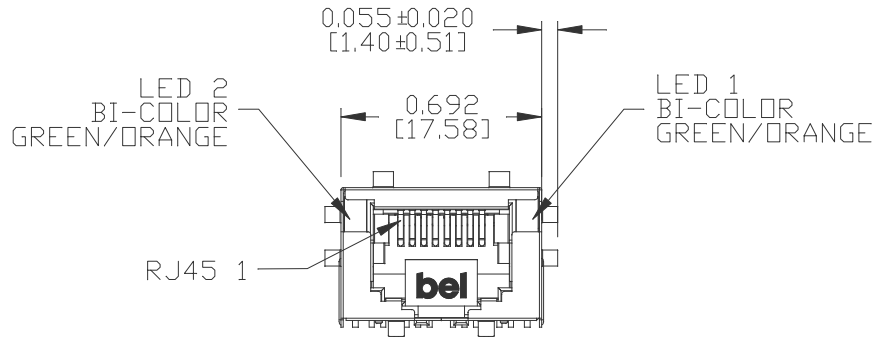
STANDARD DIM. TOL. IN INCH	[] METRIC DIM. AS REF.
.X	UNIT : INCH [mm]
.XX	SCALE : N/A
.XXX	SIZE : A4

REV. : PA PAGE : 2



THE INFORMATION CONTAINED HEREIN IS CONSIDERED "PROPRIETARY" TO BEL FUSE INC. AND SHALL NOT BE COPIED, REPRODUCED OR DISCLOSED WITHOUT THE WRITTEN APPROVAL OF BEL FUSE INC.

PRELIMINARY

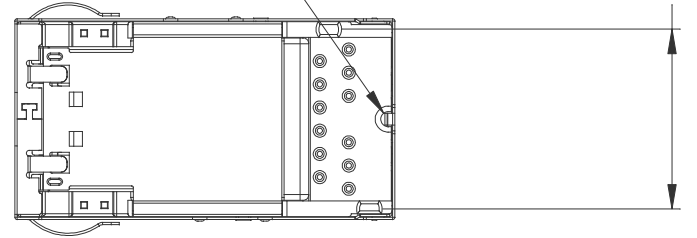


NOTES:

PLASTIC HOUSING: THERMOPLASTIC PA, BLACK
 FLAMMABILITY RATING UL 94V-0
 CONTACT PLATING: 50 MICRO-INCH HARD GOLD PLATING OR EQUIVALENT
 OUTPUT PINS: TIN-COATED COPPER WIRE, DIA 0.018 INCH,
 100 MICRO-INCH MIN MATTE TIN. PINS ARE SOLDER DIPPED.
 METAL SHIELD: NICKEL PLATED ON COPPER ALLOY.
 (ALL GROUND LEADS ARE SOLDER DIPPED)

- JACK CAVITY CONFORMS TO FCC RULES AND REGULATIONS, PART 68 SUBPART F.
- MARK PART WITH MFG LOGO, NAME, PART NUMBER, DATE CODE AND PATENTED.
- UL RECOGNIZED - FILE # E169987.
- THE PRODUCT IS RoHS COMPLIANT AND HALOGEN FREE WITH ANTIMONY TRIOXIDE CONTAIN LESS THAN 1000 PPM.
- THE PRODUCT IS PATENTED. THE PATENT NUMBER ARE U.S. PAT. 7,429,195 AND U.S. PAT. 6,840,817 AND U.S. PAT. 7,924,130.
- THE PART IS COMPLIANT WITH WAVE SOLDERING AND IR REFLOW. FOR WAVE SOLDERING, THE SUGGESTED PEAK WAVE SOLDERING CONDITION IS 260°C MAX. AND 10 SECONDS MAX. FOR IR REFLOW, THE SUGGESTED PEAK IR REFLOW CONDITION IS 245°C MAX AND 30 SECONDS MAX.

GROUNDING OF BOTTOM PCB



ORIGINATED BY ANTON LIAO
DATE 2017-06-20
DRAWN BY JESSE LI
DATE 2017-06-20

TITLE 10 gigabit MagJack® G15-111T-076C PATENTED

PART NO. / DRAWING NO. G15-111T076C
FILE NAME G15-111T076C_PA.DWG

STANDARD DIM. TOL. IN INCH	[] METRIC DIM. AS REF.
.X	UNIT : INCH [mm]
.XX	SCALE : N/A
.XXX ±0.010	SIZE : A4

REV. : PA	PAGE : 3

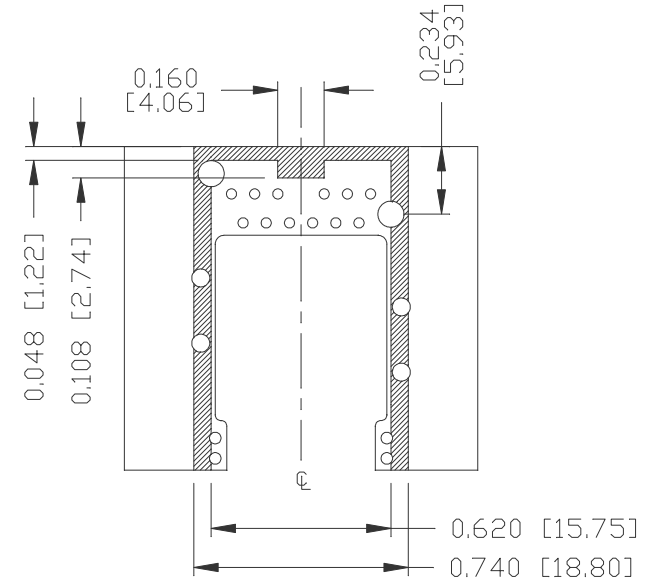
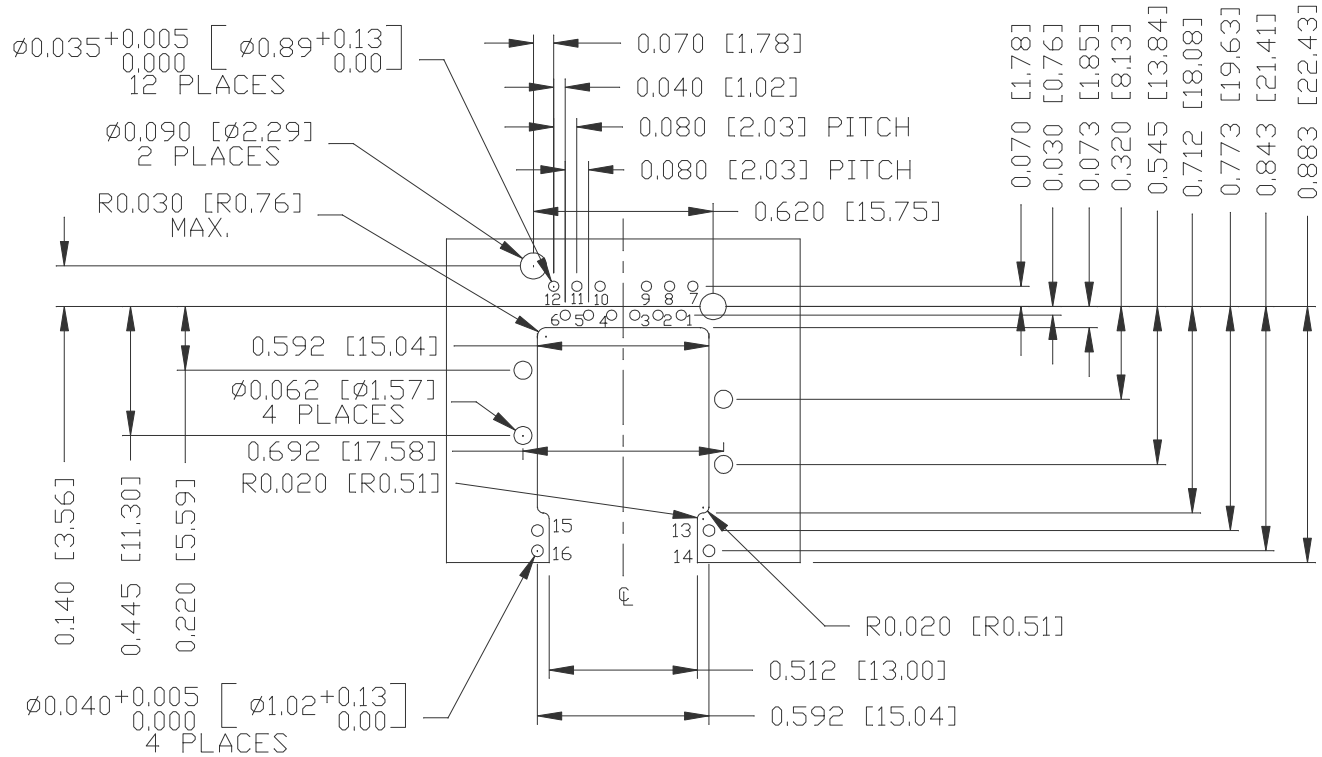
THE INFORMATION CONTAINED HEREIN IS CONSIDERED "PROPRIETARY" TO BEL FUSE INC. AND SHALL NOT BE COPIED, REPRODUCED OR DISCLOSED WITHOUT THE WRITTEN APPROVAL OF BEL FUSE INC.

RoHS



PRELIMINARY

RECOMMENDED PCB FOOTPRINT
< COMPONENT SIDE VIEW >



SUGGESTED FOOTPRINT

NOTES:

THE SHADED AREA ON THE CUSTOMER BOARD ARE RECOMMENDED TO BE CLEAR OFF ANY VIA HOLE OR COMPONENT PAD.

ORIGINATED BY
ANTON LIAO
DATE 2017-06-20
DRAWN BY
JESSE LI
DATE 2017-06-20

TITLE
10 gigabit MagJack®
G15-111T-076C
PATENTED

PART NO. / DRAWING NO.
G15-111T076C
FILE NAME
G15-111T076C_PA.DWG

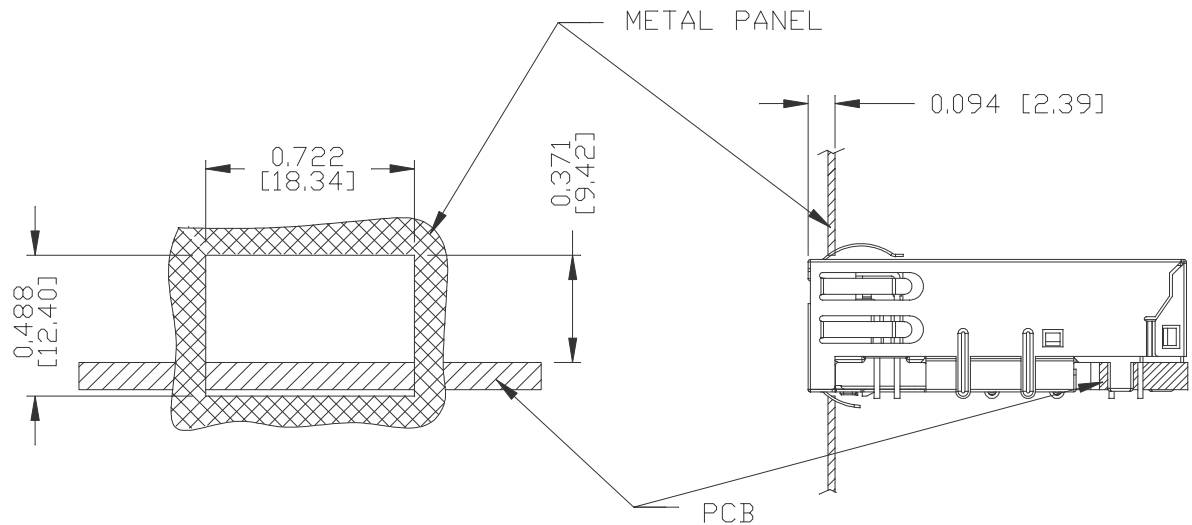
STANDARD DIM. TOL. IN INCH	[] METRIC DIM. AS REF.
.X	UNIT : INCH [mm]
.XX	SCALE : N/A
.XXX	SIZE : A4

REV. : PA	PAGE : 4
<p>a bel group</p>	

THE INFORMATION CONTAINED HEREIN IS CONSIDERED "PROPRIETARY" TO BEL FUSE INC. AND SHALL NOT BE COPIED, REPRODUCED OR DISCLOSED WITHOUT THE WRITTEN APPROVAL OF BEL FUSE INC.

SUGGESTED PANEL OPENING

PRELIMINARY



NOTE:

THE DISTANCE OF PANEL INSIDE SURFACE RELATIVE TO FRONT SURFACE OF PART IS ONLY A SUGGESTION. IN CASE THIS DISTANCE IS DIFFERENT, THE REQUIRED PANEL OPENING DIMENSIONS CHANGE ACCORDINGLY.

PACKING INFORMATION

PACKING TRAY : 0200M9999-K3 (TOP)

0200M9999-K2 (BOTTOM)

PACKING QUANTITY : 48 PCS FINISHED GOODS PER TRAY.

10 TRAYS (480 PCS FINISHED GOODS) PER CARTON BOX.

REMARK : CARDBOARDS ARE PLACED BETWEEN LAYERS OF PACKING TRAY INSIDE CARTON BOX. (INCLUDE THE UPPERMOST AND LOWERMOST TRAY)

REV. : PA PAGE : 5

ORIGINATED BY ANTON LIAO	TITLE 10 gigabit MagJack® G15-111T-076C PATENTED	PART NO. / DRAWING NO. G15-111T076C	STANDARD DIM. TOL. IN INCH	[] METRIC DIM. AS REF.
DATE 2017-06-20		FILE NAME G15-111T076C_PA.DWG	.X	UNIT : INCH [mm]
DRAWN BY JESSE LI			.XX	SCALE : N/A
DATE 2017-06-20			.XXX	±0.004

