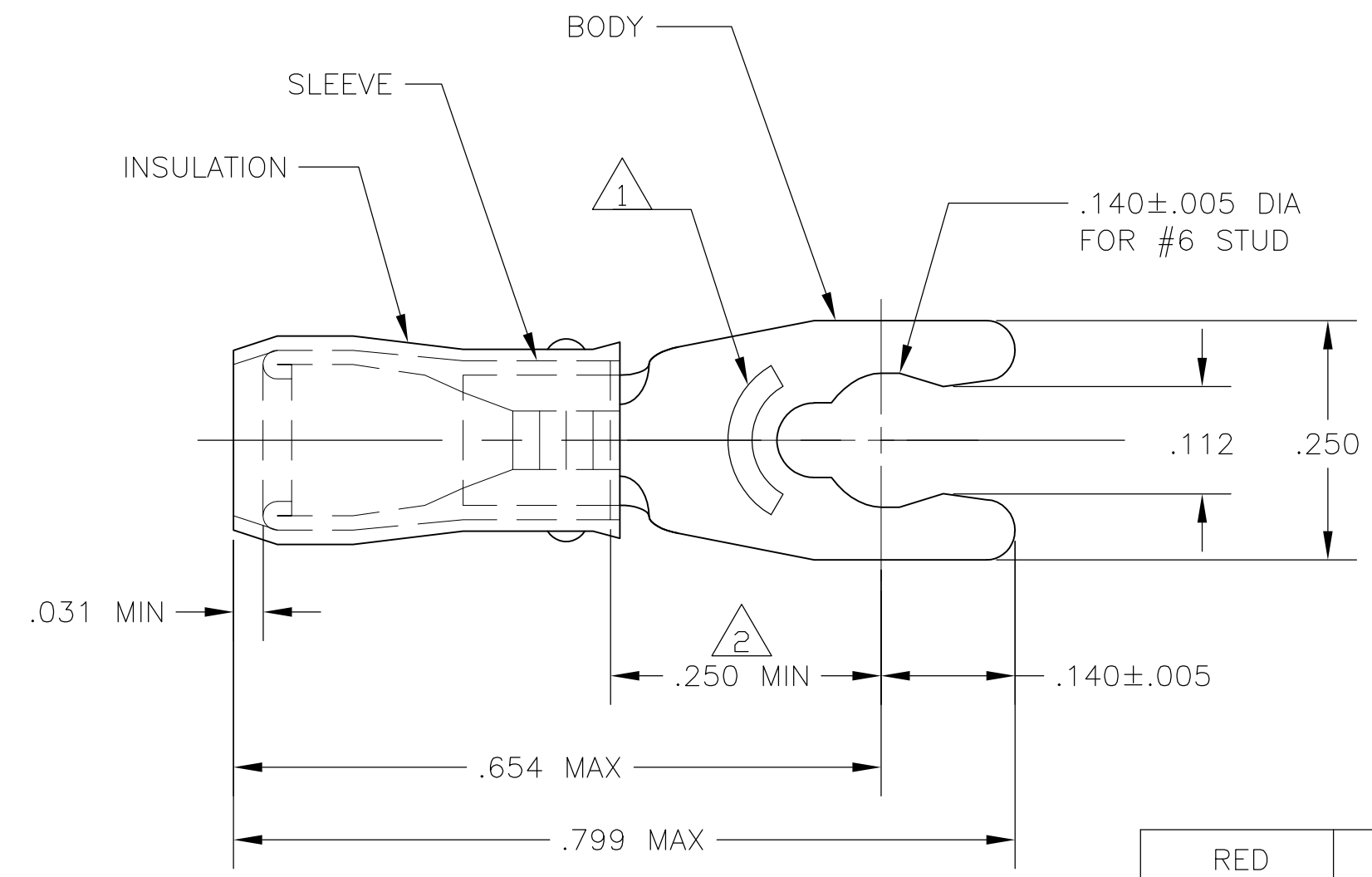


THIS DRAWING IS UNPUBLISHED. RELEASED FOR PUBLICATION
 © COPYRIGHT - By - ALL RIGHTS RESERVED.

| LOC | DIST | REVISIONS | | | | | |
|-----|------|-----------|-----|---------------------------|---------|-----|------|
| G | 14 | P | LTR | DESCRIPTION | DATE | DWN | APVD |
| | | P2 | | REVISED PER ECO-11-004587 | 11MAR11 | RK | HMR |



- 1 STAMP 6S AMP 22-18*, APPROX AS SHOWN. 22-16 TERMINALS ARE STAMPED 22-18 IN ACCORDANCE WITH MILITARY SPEC MIL-T-7928, COMMERCIAL WIRE RANGE IS 22-16.
- 2 APPLIES FROM EDGE OF METAL WIRE BARREL TO CENTER OF STUD HOLE.
- 3 TONGUE MATERIAL THK IS .031±.002
- 4 BODY - PHOS BRONZE PER ASTM B-103 SLEEVE - COPPER PER ASTM B-152 INSULATION - NYLON
- 5 BODY - TIN PLATE PER ASTM B545 SLEEVE - TIN PLATE PER ASTM B545 INSULATION - SEE TABLE

| | | |
|--------------------------------|--------------------------------|--------------------------------|
| AMP WIRE RANGE | Listed FILE E13288 | LR7189 Certified |
| 22-16 AWG SOLID OR STRANDED | 22-16 AWG SOLID OR STRANDED | 22-16 AWG SOLID OR STRANDED |

| RED | .080-.125 | 100 | LOOSE PIECE, BOX | 8-52929-1 |
|------------------|--------------------|------|------------------|-----------|
| BLACK | .080-.125 | 5000 | ON TAPE, REEL | 1-52929-0 |
| RED | .105-.140 | 5000 | ON TAPE, REEL | 52929-3 |
| RED | .080-.125 | 5000 | ON TAPE, REEL | 52929-1 |
| RED | .080-.125 | 1000 | LOOSE PIECE | 52929 |
| INSULATION COLOR | WIRE INSULATION OD | QTY | PACKAGE TYPE | PART NO |

| | | | | | | | | | | |
|--|--|---|--|---|---------------------------------|------------------|-------|-----------|--|---------------|
| CUSTOMER SERVICE SYSTEMS | | MAX RECOMMENDED OPERATING TEMPERATURE: 105°C | THIS DRAWING IS A CONTROLLED DOCUMENT. | | DWN jr_ruth 01MAY07 | TE Connectivity | | | | |
| FOR ADDITIONAL PRODUCT INFORMATION OR COPIES OF DRAWINGS AND TECHNICAL DOCUMENTS | PRODUCT INFORMATION CENTER 1-800-522-6752 | VOLTAGE RATING: 300 V MAX | DIMENSIONS: INCHES | TOLERANCES UNLESS OTHERWISE SPECIFIED: | CHK T MICHELUTTI 01MAY07 | | | | NAME TERMINAL, SHORT SPRING SPADE, PIDG, WIRE SIZE: 22-16 AWG | |
| FOR APPLICATION TOOLING INFORMATION | TOOLING ASSISTANCE CENTER 1-800-722-1111 | CIRCULAR MIL AREA: 0.26-1.65mm² [509-3260] SOLID OR STRANDED | | 0 PLC ± - 1 PLC ± - 2 PLC ± - 3 PLC ± .008 4 PLC ± - ANGLES ± 5° | APVD T MICHELUTTI 01MAY07 | PRODUCT SPEC | SIZE | CAGE CODE | DRAWING NO | RESTRICTED TO |
| FOR ORDER ENTRY | 1-800-526-5142 | THIS DRAWING IS A CONTROLLED DOCUMENT FOR AMP INCORPORATED. IT IS SUBJECT TO CHANGE AND THE CONTROLLING ENGINEERING ORGANIZATION SHOULD BE CONTACTED FOR THE LATEST REVISION. | MATERIAL | FINISH | — | APPLICATION SPEC | — | — | — | — |
| | | | | | CUSTOMER DRAWING | | SCALE | SHEET | REV | |
| | | | | | | | 6:1 | 1 OF 1 | P2 | |