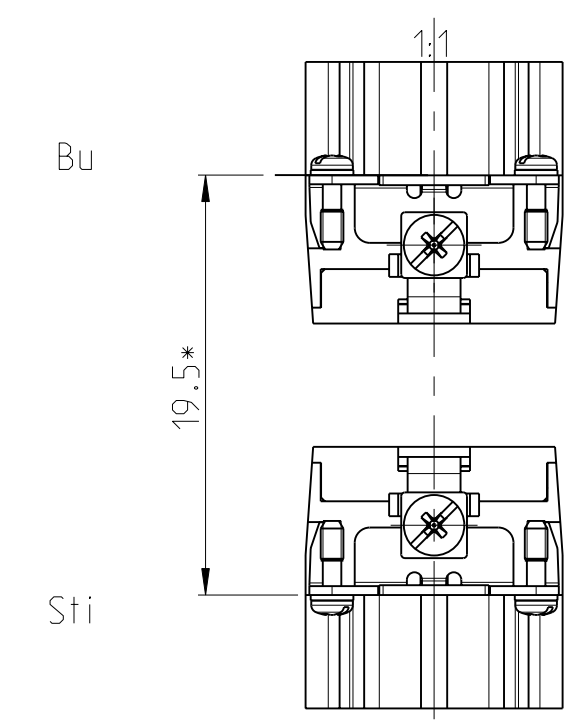
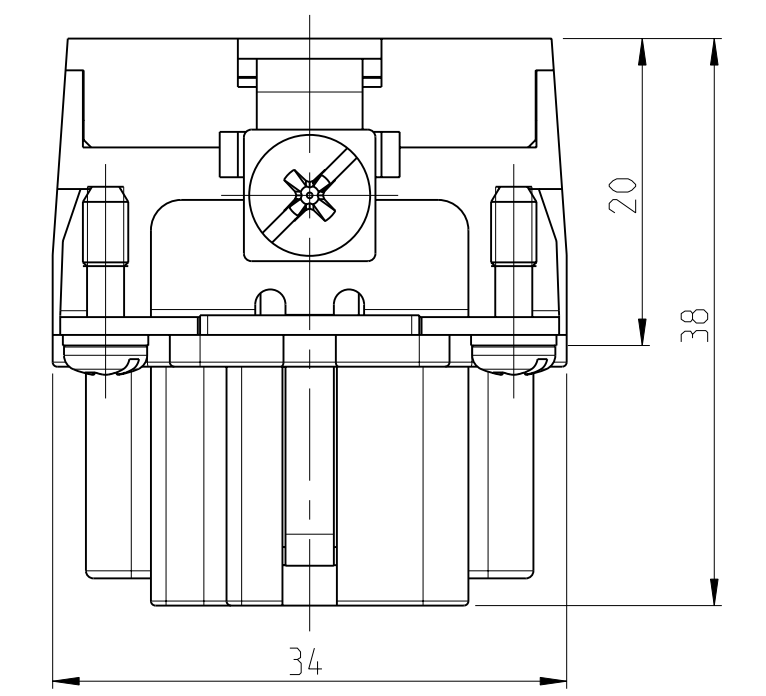
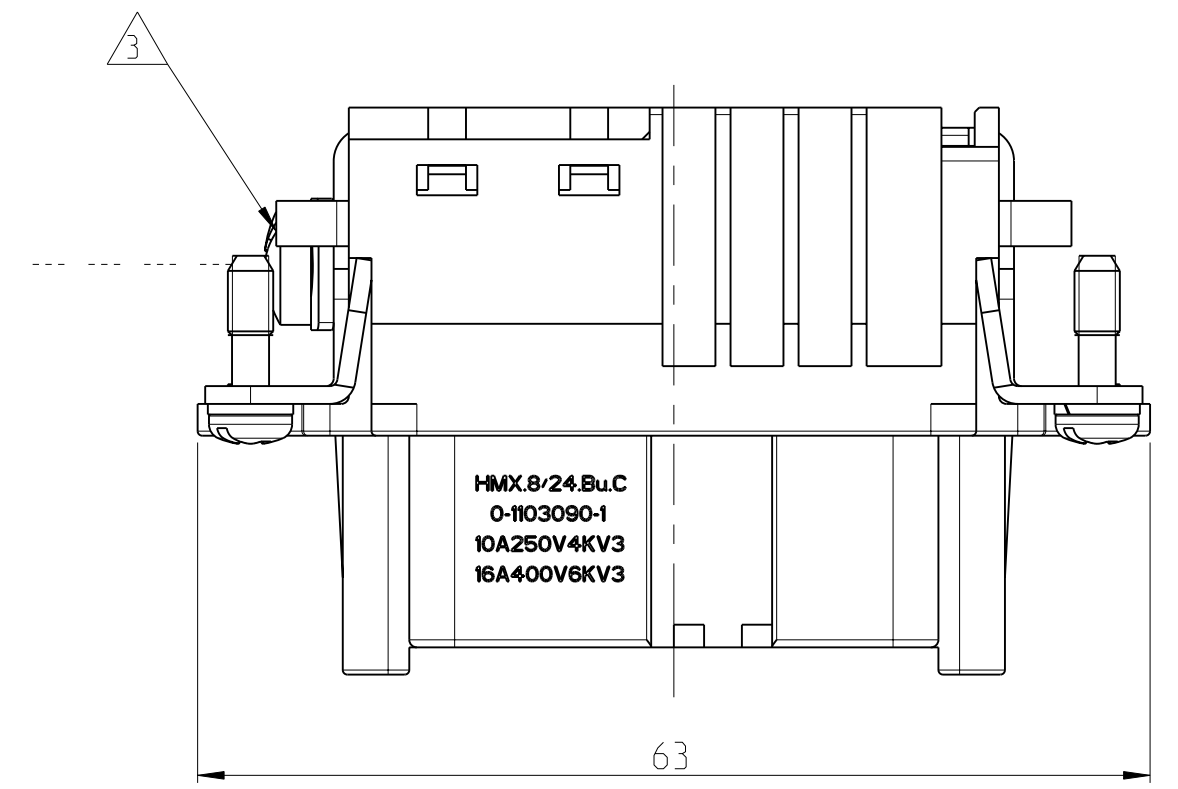


LOC	DIST	REV	DATE	DWN	APVD
A1	-	C1	05FEB2010	SR	ME

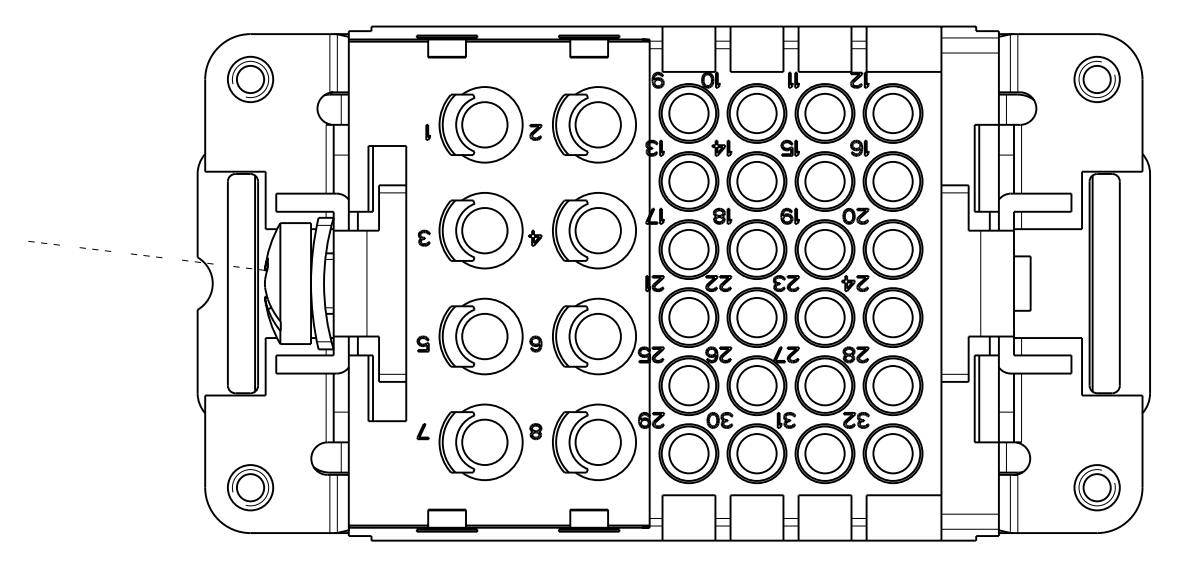
NOTES

- COVER CONTACT : 1 TO 12  
 OUTER DIMENSIONS OF INSULATION: MAX.  $\varnothing$ 6.5MM  
 SIGNAL CONTACT: A AND B  
 OUTER DIMENSIONS OF INSULATION: MAX.  $\varnothing$ 3.2MM
- SUITABLE HOOD SIZE 6  
 SERIES HB, HD, EMV, AND HIP
- GROUNDING CONTACT
- STANDARDS:  
 DIN EN 61984; DIN EN 60664-1
- PACKAGING:  
 10 PIECES IN A CARTON BOX

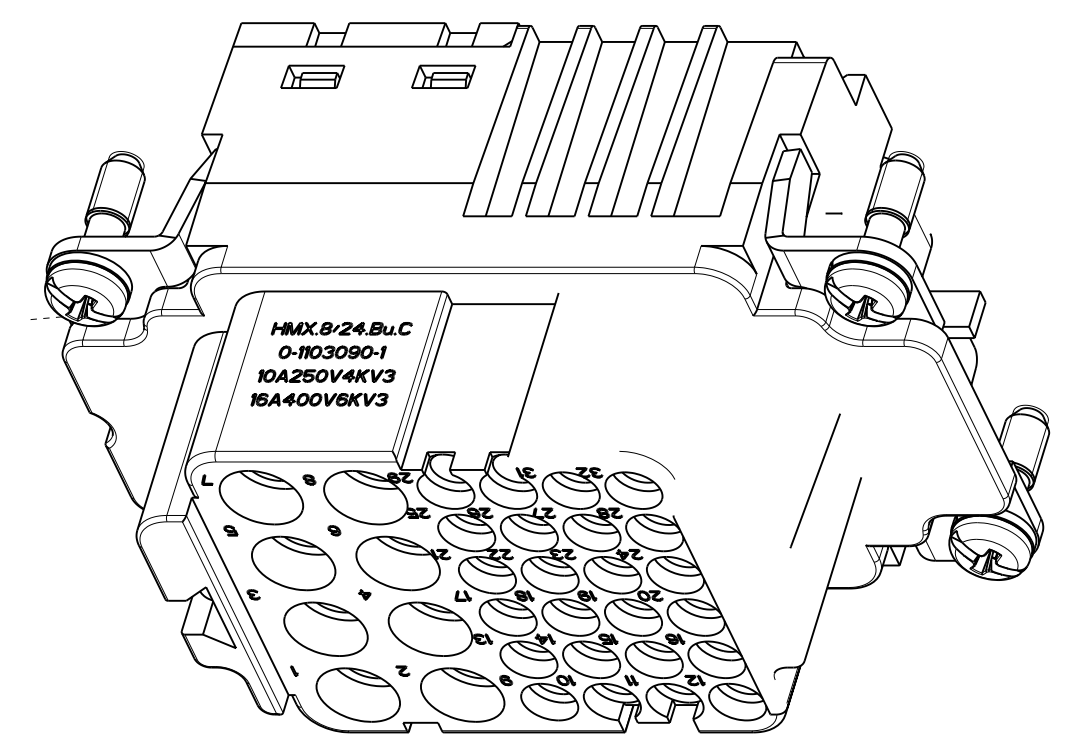
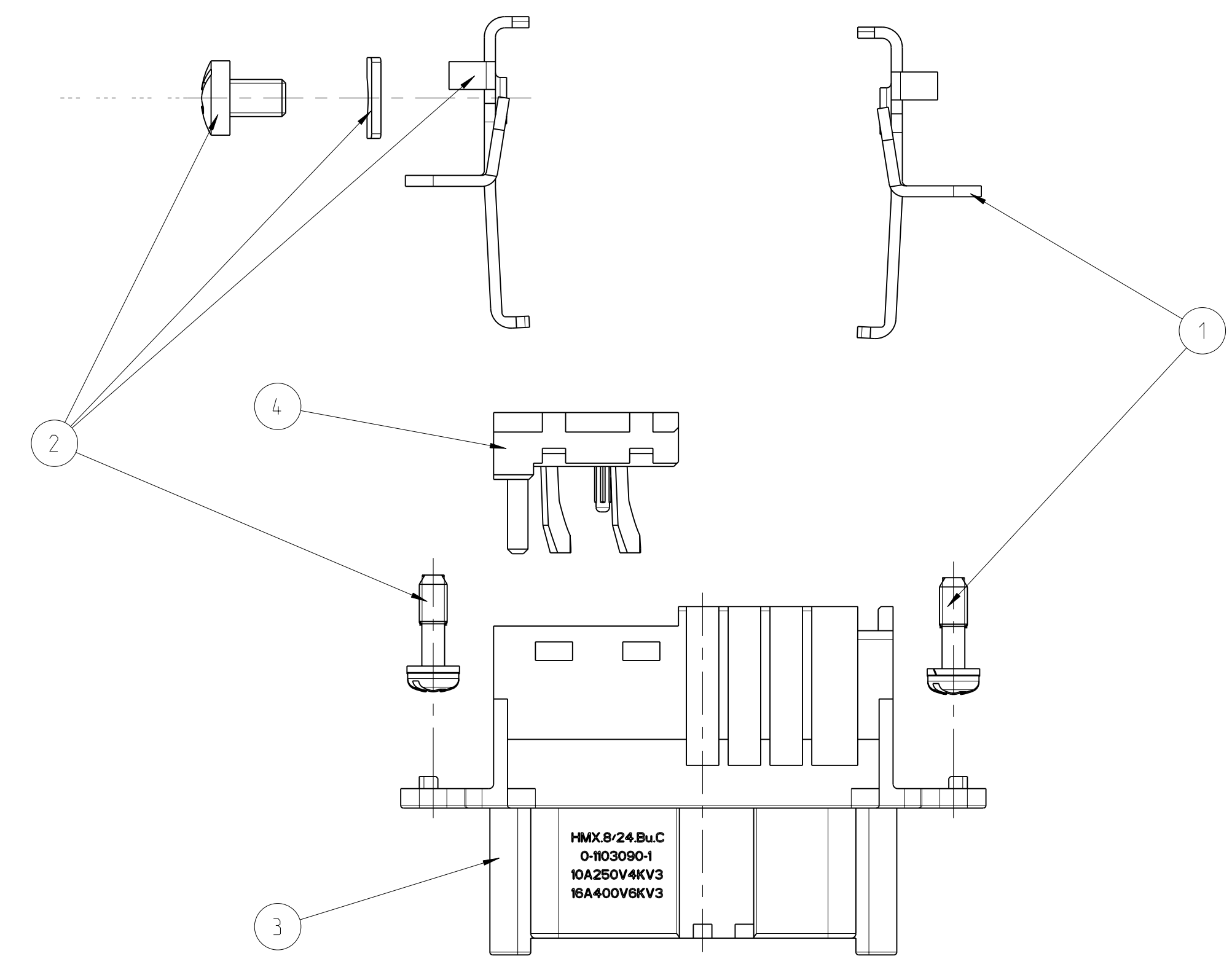
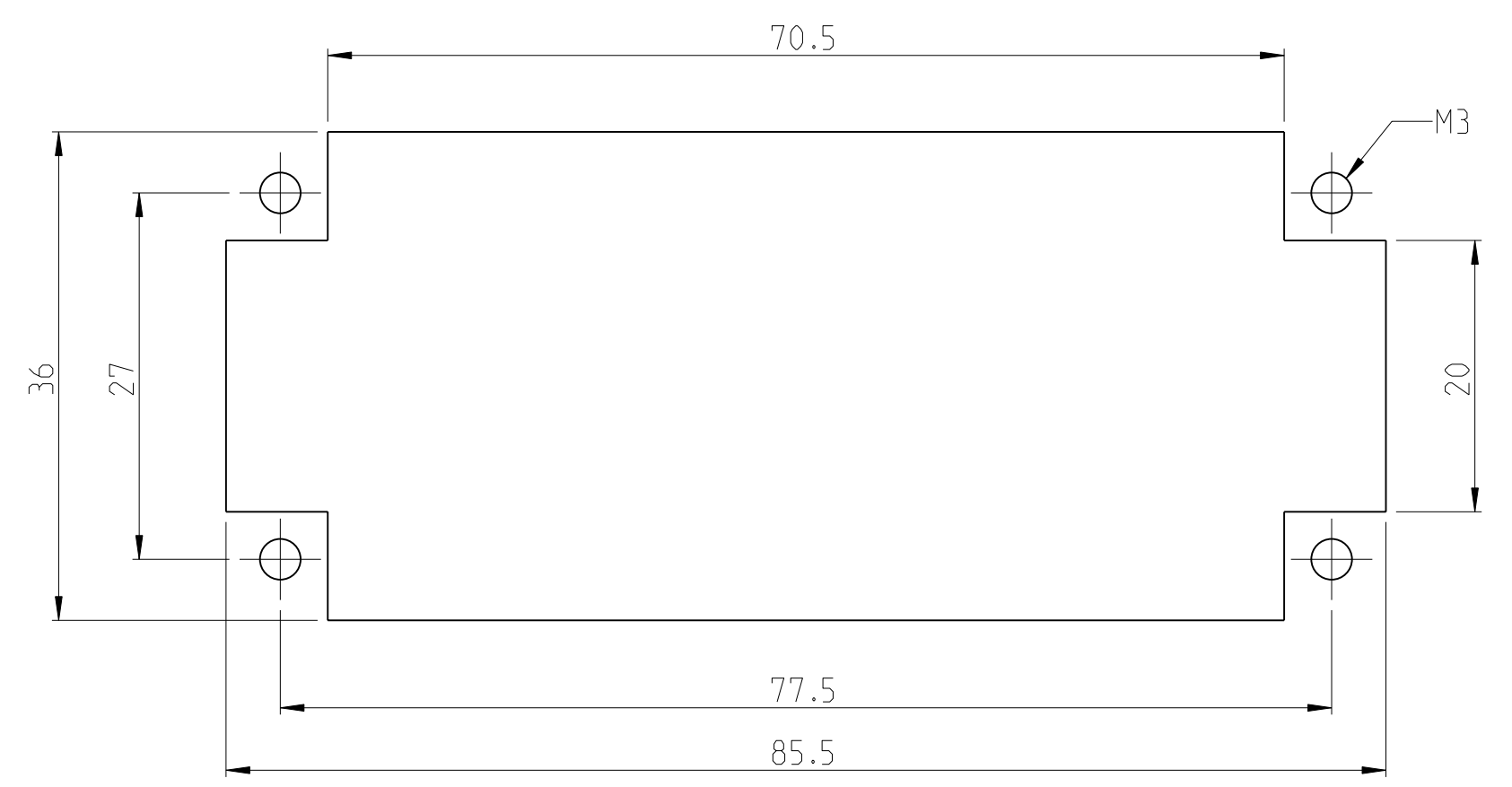


\* DISTANCE FOR QUARANTEED CONTACT 21MM MAX.

CONTACT ARRANGEMENT VIEW FROM TERMINATION SIDE



PANEL CUT-OUT FOR CONTACT INSERT WHEN USED WITHOUT HOUSING



1	COVER	PBT-GF15	4
1	FEMALE INSERT	PBT-GF30	3
1	PROTECTION ANGLE CONTACT SOCKET WITH MOUNTING	ZINK PLATED	2
1	PROTECTION ANGLE CONTACT SOCKET	ZINK PLATED	1
QTY	DESCRIPTION	MATERIAL	SURFACE ITEM
0-1	ORDERING TEXT: HMX.12/2.Bu.C		

THIS DRAWING IS A CONTROLLED DOCUMENT. DWG: R.SCHNEIDER 05FEB2010  
 CHK: T.SCHNURPEL 05FEB2010  
 APVD: T.SCHNURPEL

**TE** TE Connectivity

PRODUCT SPEC: FEMALE INSERT HMX.8/24.BU.C  
 APPLICATION SPEC: FEMALE INSERT HMX.8/24.BU.C

SIZE: A1 CAGE CODE: 00779 DRAWING NO: C=1103090 RESTRICTED TO: -

MATERIAL: - FINISH: - WEIGHT: - CUSTOMER DRAWING: - SCALE: 5:1 SHEET: 1 OF 1 REV: C1