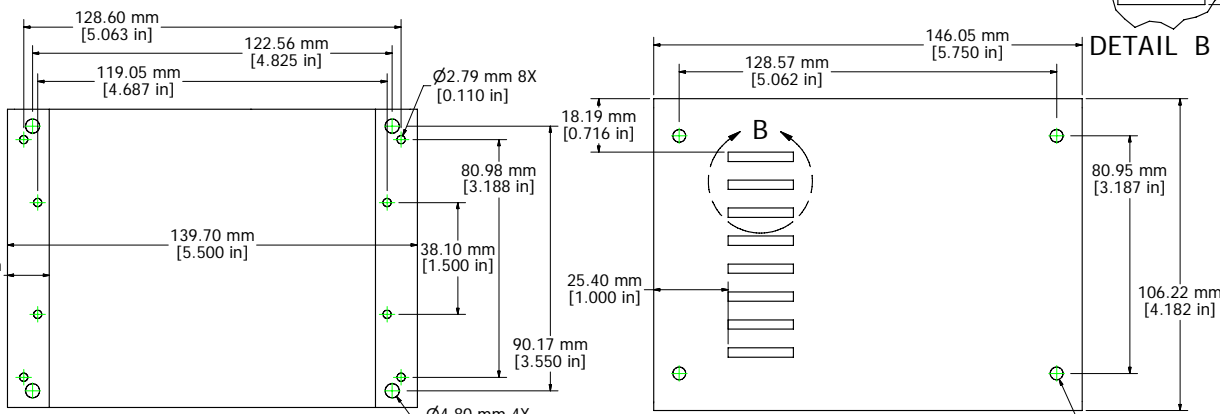
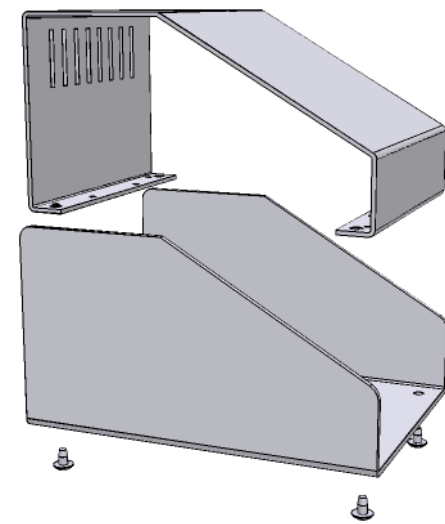


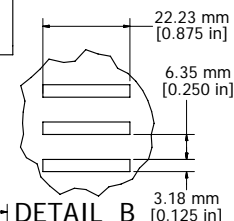
ASSEMBLY - REAR VIEW (OPEN)

ASSEMBLY - SIDE VIEW (OPEN)



TOP PANEL - BOTTOM VIEW

ENCLOSURE CASE - BOTTOM



Enclosures can be Factory Modified ( Milling, Drilling, Printing etc. )  
 Contact Factory [mjm@hammondmfg.com](mailto:mjm@hammondmfg.com) for quotes  
 Solid models of this enclosure available in STEP or IGES.

<b>1456CE3</b>
<b>Beige Top, Blue Case - 1456CE3WHBU</b>
<b>Black Top, Blue Case - 1456CE3BKBU</b>
Enclosure Case - 12 ga. Aluminum
Top Panel Sizes to 14" Wide - 14 ga. Aluminum
Self Adhesive Rubber Feet Included
Required Hardware Included
Replacement Screws - 1421-J6 (6 pcs.)



**HAMMOND  
 MANUFACTURING™**

**1456CE3**

[www.hammondmfg.com](http://www.hammondmfg.com)