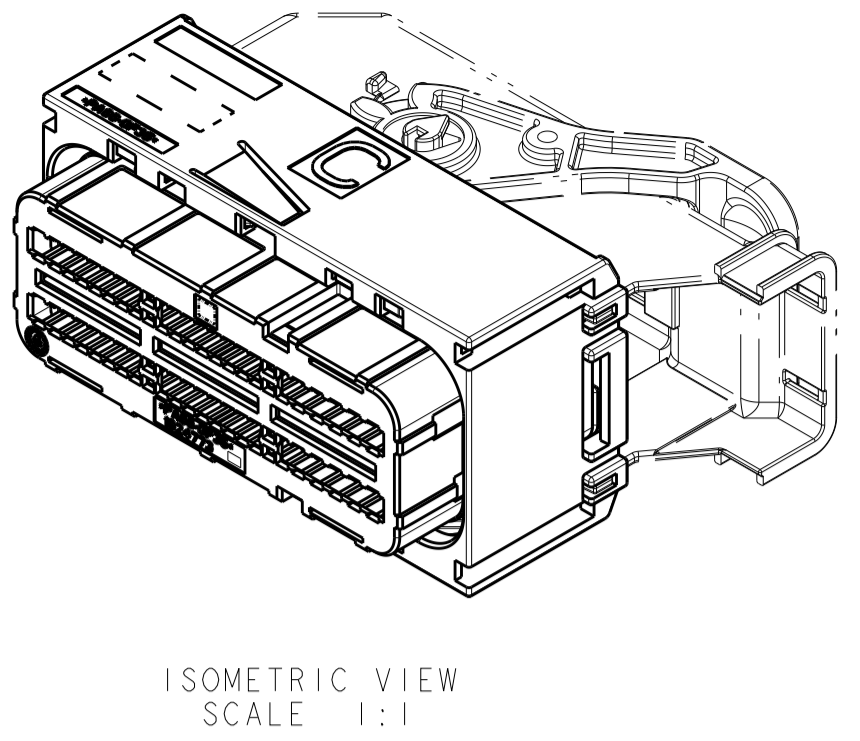
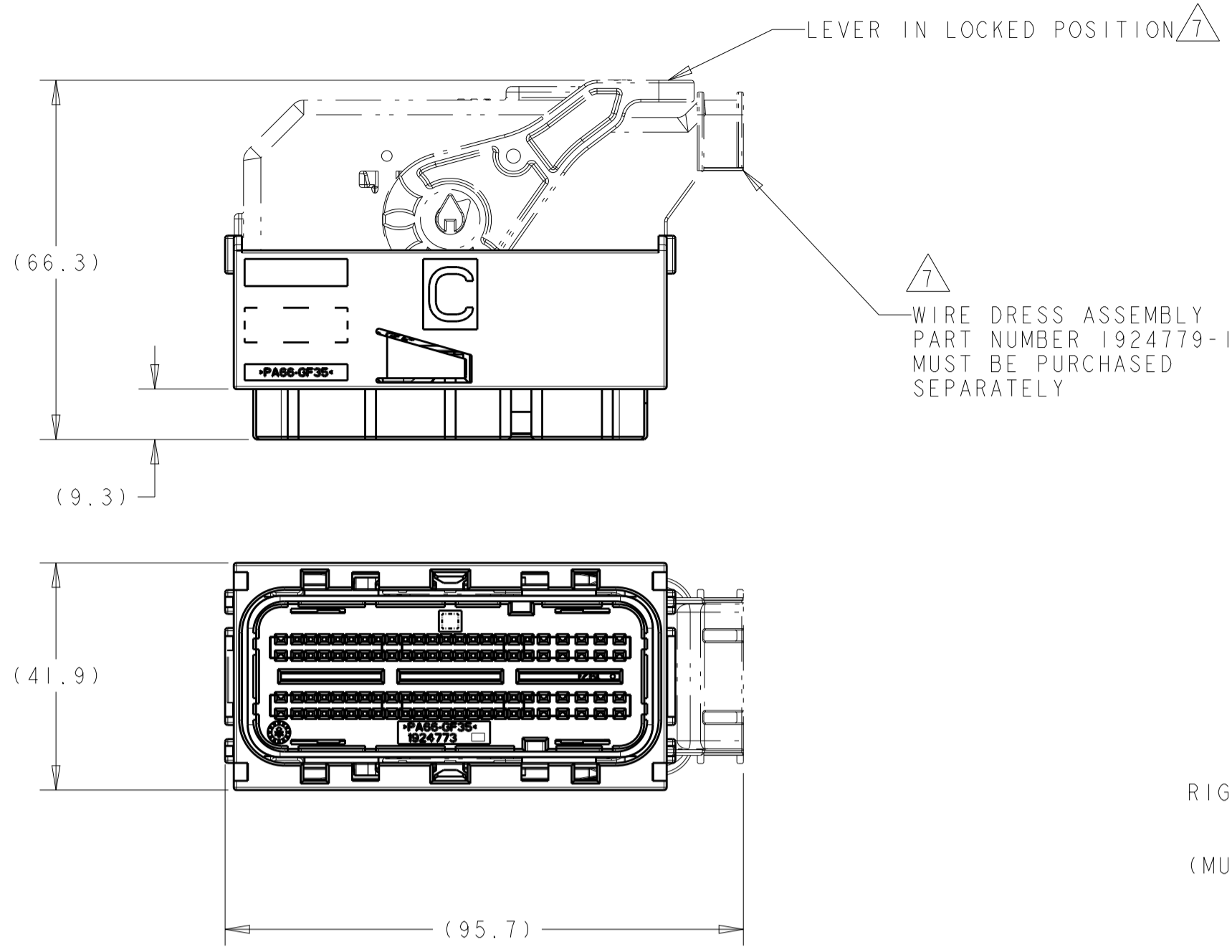
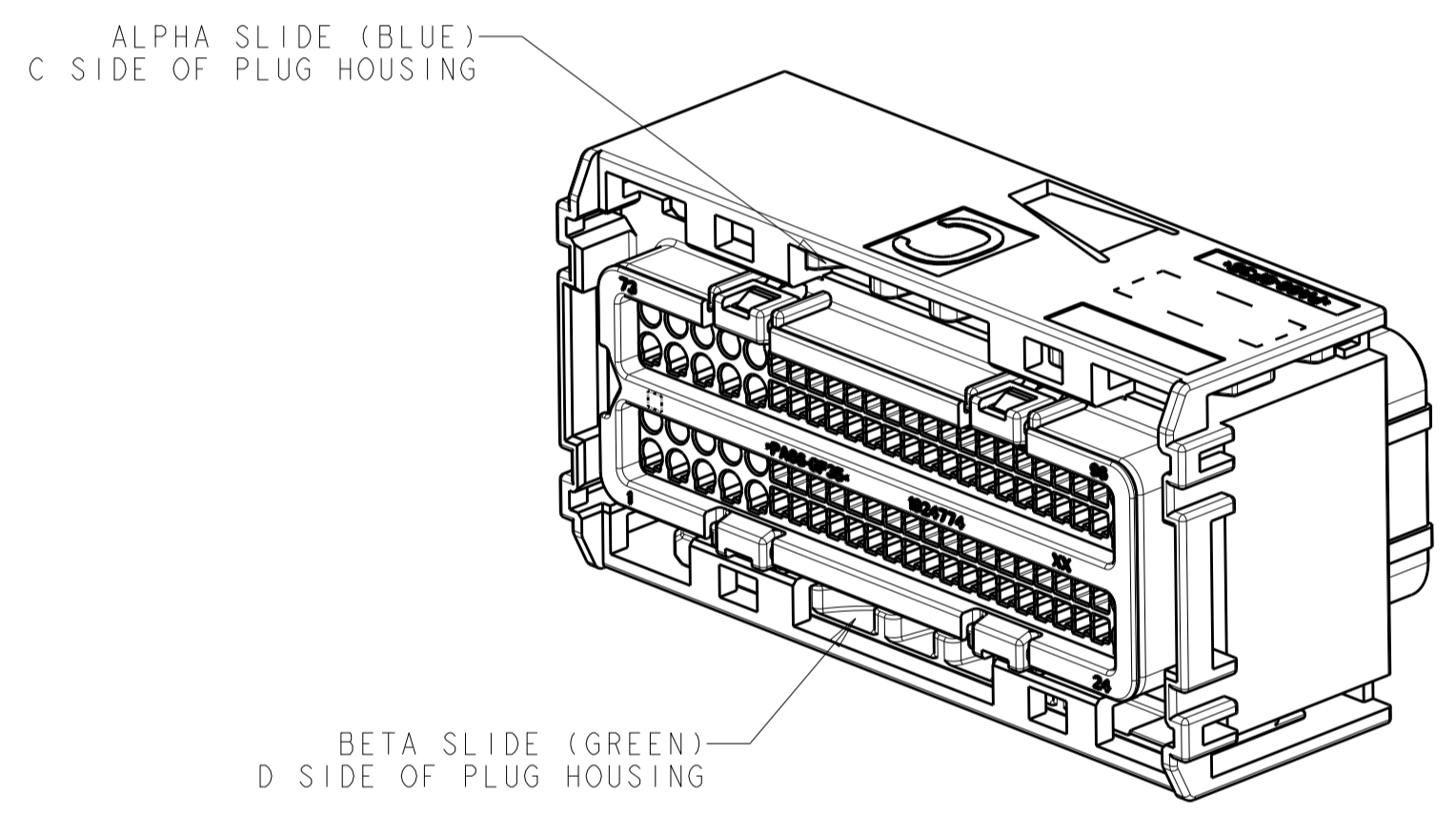
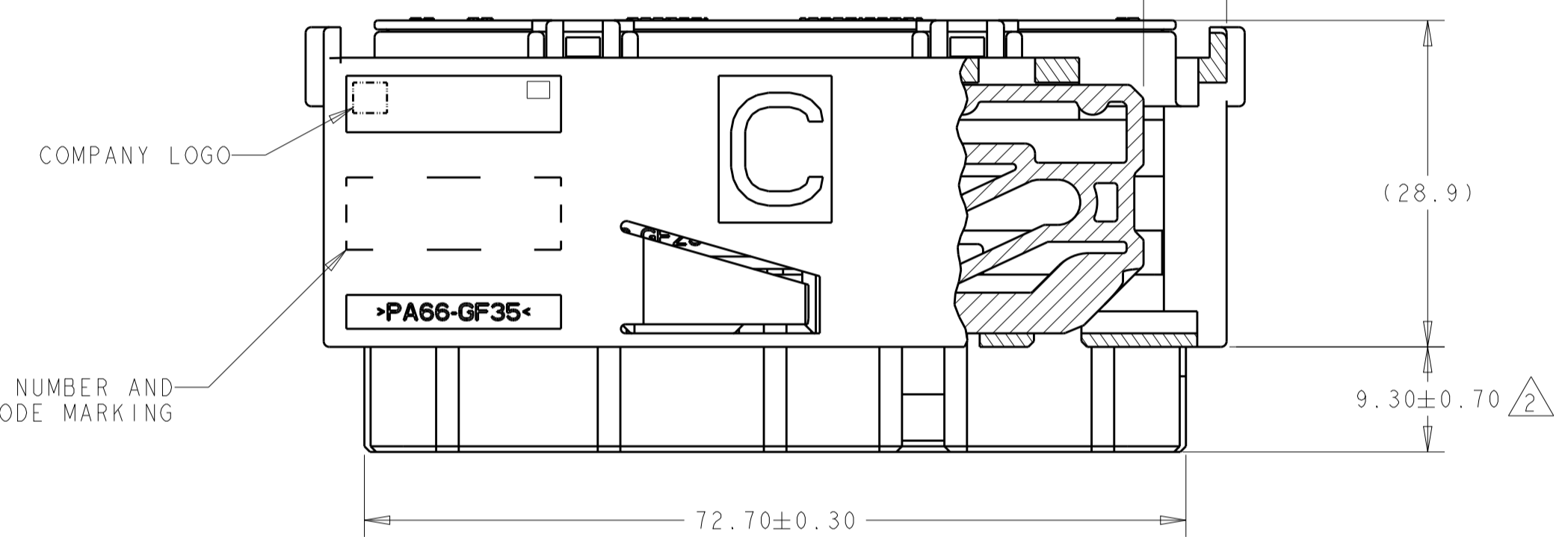
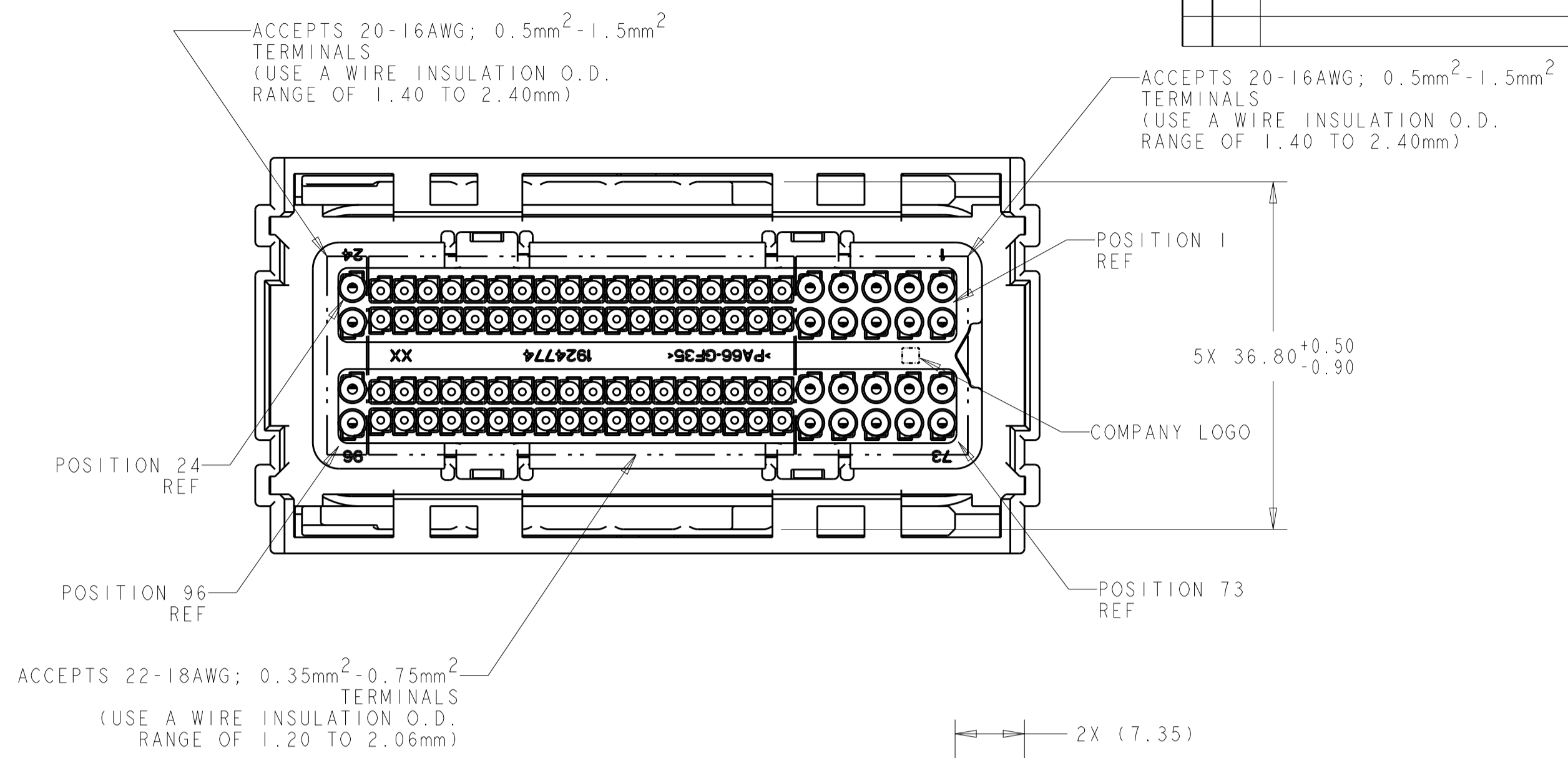


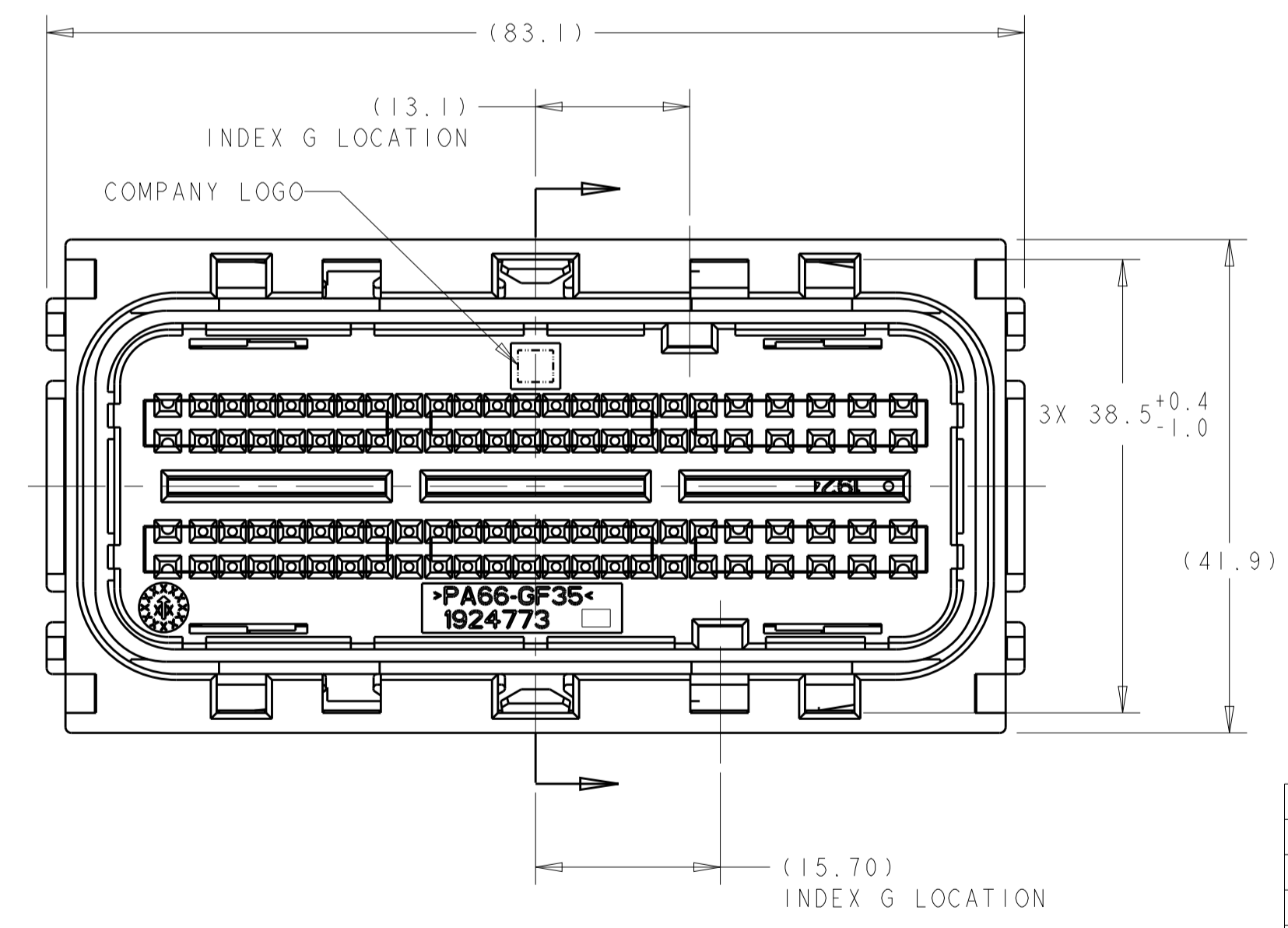
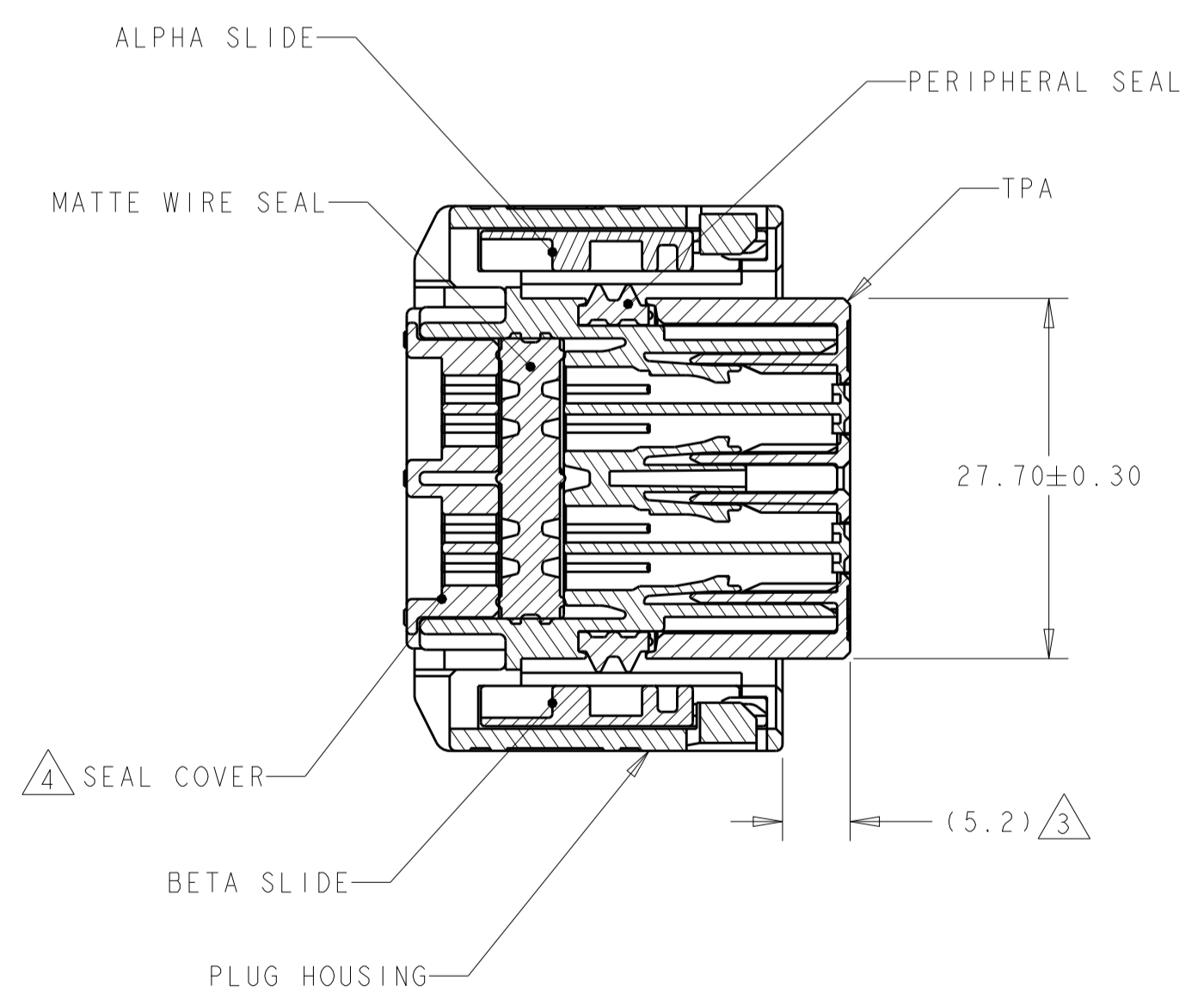
REVISIONS				
P.	LTN	DESCRIPTION	DATE	OWN APVD
B		REVISED PER ECO-16-005492	11APR2016	DLD WEM
B1		REVISED PER ECO-17-003168	07MAR2017	DD GK



RIGHT EXIT PLUG ASSEMBLY SHOWN WITH OPTIONAL WIRE DRESS ASSEMBLY (MUST BE PURCHASED SEPARATELY) SCALE 1:1



(METHOD FOR IDENTIFYING EXIT ORIENTATION)



- 1 PLUG HOUSING AND SEAL COVER: NYLON 6/6, BLACK. TPA: NYLON 6/6, COLOR - SEE TABLE. MATTE WIRE SEAL: SILICONE, LIGHT BLUE. PERIPHERAL SEAL: SILICONE, GREEN. ALPHA SLIDE: NYLON 6/6, BLUE. BETA SLIDE: NYLON 6/6, GREEN.
- 2 TPA SHOWN IN PRE-LATCHED, AS SHIPPED, POSITION.
- 3 TPA SHOWN IN CLOSED POSITION.
- 4 SEE TABLE ON SHEET 2 FOR SEAL COVER PIN OUT CONFIGURATION.
- 5. PLUG ASSEMBLY MATES WITH TYCO ELECTRONICS INTERFACE DRAWING 1924771-INT, POLARIZATION A.
- 6. PLUG ASSEMBLY WILL ACCEPT THE FOLLOWING GET TERMINAL PART NUMBERS: 1393364-1 (GOLD 22AWG; 0.35mm²) 1393365-1 (GOLD 18-20AWG; 0.75mm²-0.5mm²) 1924878-1 (TIN/SILVER 22AWG; 0.35mm²) 1924879-1 (TIN/SILVER 18-20AWG; 0.75mm²-0.5mm²) 1924782-1 (TIN/SILVER 1.0mm²) 1924880-1 (TIN/SILVER 16AWG; 1.5mm²)

- 7 WIRE DRESS ASSEMBLY MUST BE INSTALLED ONTO PLUG ASSEMBLY WITH LEVER IN LOCKED POSITION.
- 8 APPLICATION SPEC'S: 408-10229, 408-10230
- 9. FORCE TO SEAT TPA COMPONENT FROM PRE-SET TO LOCKED (FULLY LOADED W/ TERMINALS) TO BE 83N MAX.
- 10. FORCE TO MOVE TPA FROM FULLY LOCKED TO PRE-SET TO BE 115N MAX. FLAT BLADE SCREWDRIVER SUGGESTED FOR REMOVAL OF TPA.

ALL CLOSED	GREEN	G	9-2098863-9
SEE TABLE, SH 2	GREEN	G	2098863-8
SEE TABLE, SH 2	GREEN	G	2098863-7
SEE TABLE, SH 2	GREEN	G	2098863-6
SEE TABLE, SH 2	GREEN	G	2098863-5
SEE TABLE, SH 2	GREEN	G	2098863-4
SEE TABLE, SH 2	GREEN	G	2098863-3
SEE TABLE, SH 2	GREEN	G	2098863-2
ALL OPEN	GREEN	G	2098863-1
BLOCKED CIRCUITS	TPA COLOR	INDEX REF	PART NUMBER

THIS DRAWING IS A CONTROLLED DOCUMENT.

OWN: D. DRUMMOND 02NOV2010
 CHK: AJ. VASBINDER 02NOV2010
 APVD: AJ. VASBINDER 02NOV2010

DIMENSIONS: mm

TOLERANCES UNLESS OTHERWISE SPECIFIED:
 0 PLC ±
 1 PLC ±0.25
 2 PLC ±
 3 PLC ±
 4 PLC ±
 ANGLES ±

MATERIAL:

FINISH:

WEIGHT:

CUSTOMER DRAWING

NAME: PLUG ASSEMBLY, 96 POSITION, INDEX G - RIGHT EXIT, SEALED, GPEC IIII

SIZE: A1 100779 C=2098863

SCALE: 2:1 SHEET 1 OF 2 REV: B1

